

NOTICE TO PERSONS RECEIVING THIS DRAWING
 THE TECHNICAL MATERIEL CORPORATION claims proprietary right in the material disclosed hereon. This drawing is issued in confidence for engineering information only and may not be reproduced or used to manufacture anything shown hereon without permission from THE TECHNICAL MATERIEL CORPORATION to the user. This drawing is loaned for mutual assistance and is subject to recall at any time.

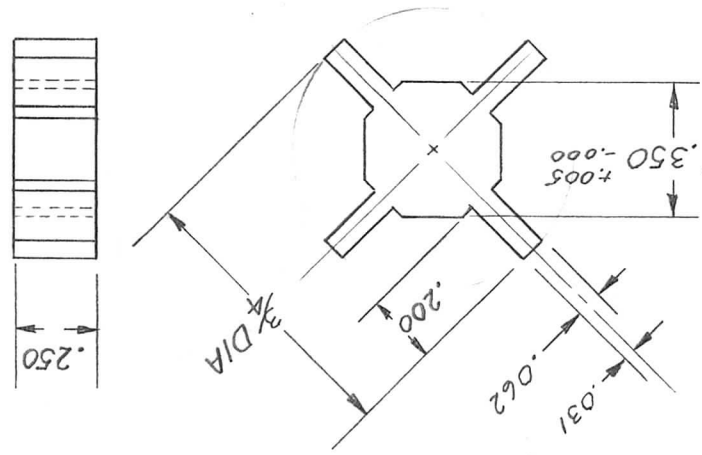
SCALE *H*
 SIZE **A**
 CODE IDENT. NO. **82679**
 DWG. NO. **RX8014**
 SHEET **1** OF **1**
 ISSUE

FINISH NATURAL	DRAWN C. GROB	DATE 11/6/68
	CHECKED <i>[Signature]</i>	DATE 1-3-69
MATERIAL TFF - TEFLO	ELECT. DES.	DATE
	MECH. DES. <i>[Signature]</i>	DATE 1/3/69
DECIMALS FRACTIONS ANGLES TOLS. .XXX ± .005 0° .30'	FINAL APPROVAL <i>[Signature]</i>	DATE 1/3/69

UNLESS OTHERWISE SPECIFIED
 DIMENSIONS ARE IN INCHES
 AND INCLUDE CHEMICALLY APPLIED
 OR PLATED FINISHES

LIST OF MATERIAL

REQ'D	ITEM	PART NUMBER	DESCRIPTION	SYM.
-------	------	-------------	-------------	------



QTY	MODEL USED ON	ASSY NO.	LTR	DESCRIPTION	E.M.N.NO	DRAFT	CHKD	APPD
3	SPT 3KVHF	Ax8081	Ø	ORIG REL FOR PROD	1-368	<i>[Signature]</i>	<i>[Signature]</i>	<i>[Signature]</i>
4	SPT 3KVHF	Ax8080						