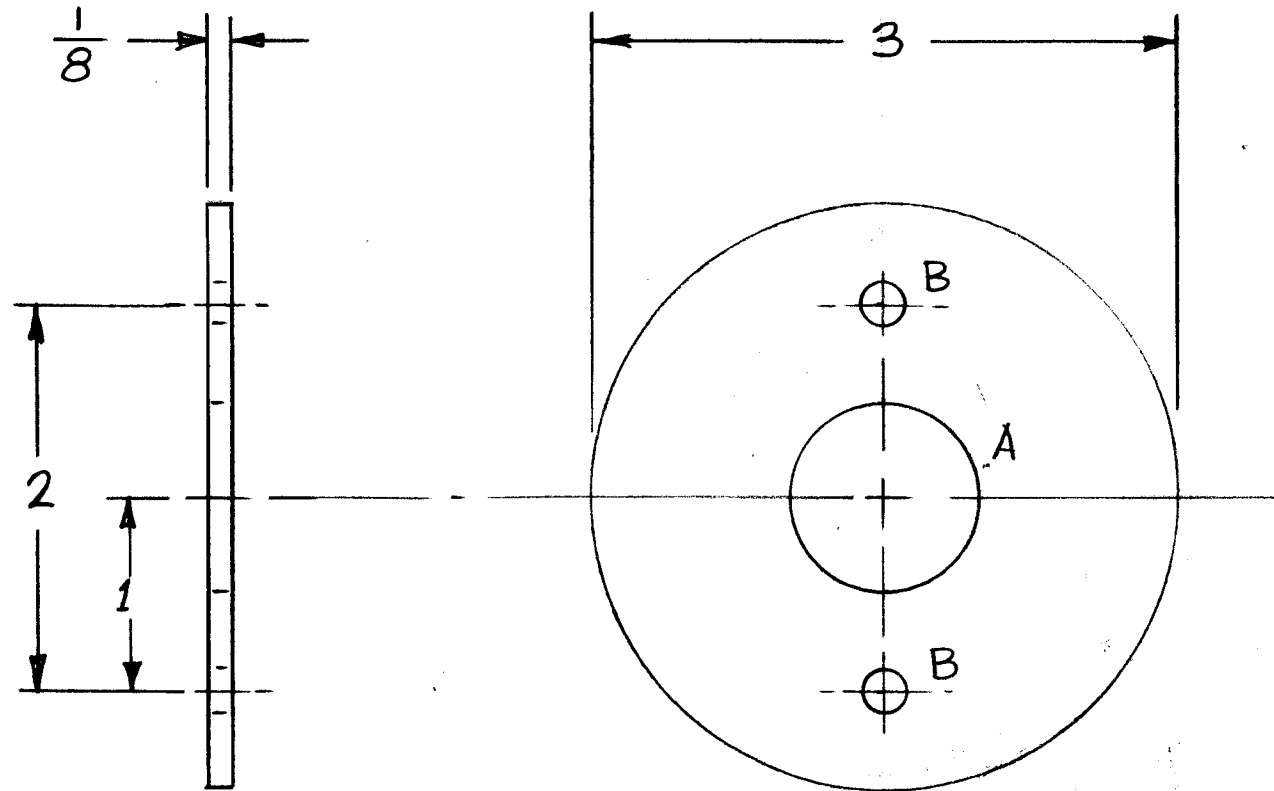


REVISIONS						
ZONE	LTR	DESCRIPTION	DATE	E.M.N.NO	DRAFT	CHKD APPD
	X1	"B" HOLE WAS 1/4 D	5/9/69	X1	JQ	
	Ø	ORIGINAL DESIGN FOR PRODUCTION	5/12/69	-#	GE	JQ



HOLE DIMENSIONS

- A - 1 IN DIA 1 REQ
- B - 17/64 DIA 2 REQ

QTY / UNIT	MODEL USED ON	ASS'Y NO.	REQ'D	ITEM	PART NUMBER	DESCRIPTION	SYM.	
1	ATW-1	ID 8054						
APPLICATION			LIST OF MATERIAL					
NOTICE TO PERSONS RECEIVING THIS DRAWING THE TECHNICAL MATERIEL CORPORATION claims proprietary right in the material disclosed hereon. This drawing is issued in confidence for engineering information only and may not be reproduced or used to manufacture anything shown hereon without permission from THE TECHNICAL MATERIEL CORPORATION to the user. This drawing is loaned for mutual assistance and is subject to recall at any time.			UNLESS OTHERWISE SPECIFIED DIMENSIONS ARE IN INCHES AND INCLUDE CHEMICALLY APPLIED OR PLATED FINISHES		FINAL APPROVAL <i>JQ</i> DATE 5/19/69 MECH. DES. DATE ELECT. DES. DATE CHECKED <i>Jmo</i> DATE 5-9-69 DRAWN TANTILLO DATE 7-9-68		THE TECHNICAL MATERIEL CORP. MAMARONECK, NEW YORK	
			DECIMALS FRACTIONS .X ± .05 1/64 .XX ± .01 TOLS. ANGLES .XXX ± .005 0° 30'		WASHER, LEAD			
MATERIAL 1/8 THICK LEAD SHEET			FINISH		SIZE B CODE IDENT. NO. 82679 DWG NO. MS-8311 ISSUE Ø		A	
			SCALE FULL		SHEET OF			