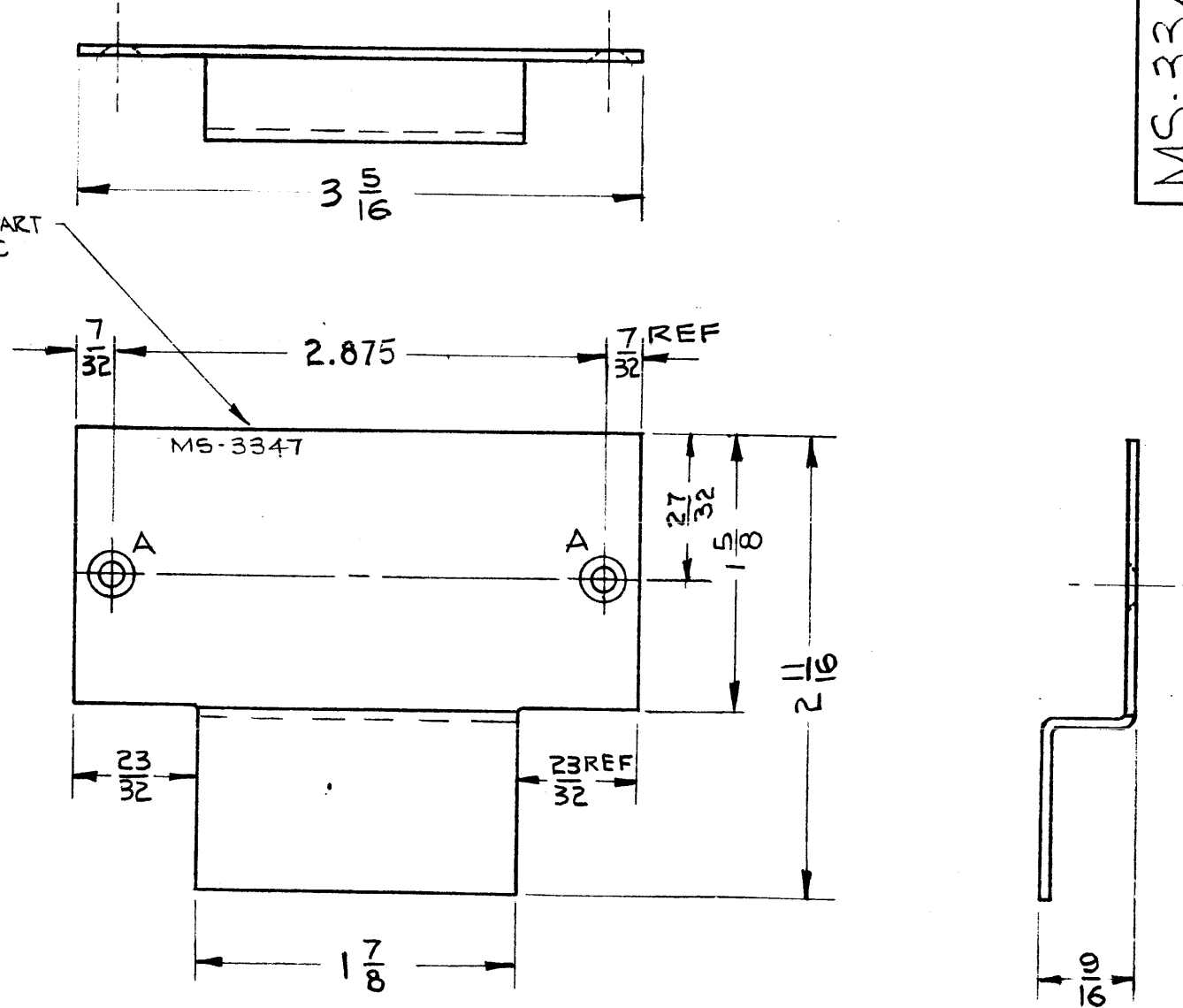


MS-3347  
A

REVISIONS					
SYM	DESCRIPTION	DATE	E.M.N. NO.	DRAFT	CHKD
A	CLERICAL CHANGE	8.24.64		JSB	Ⓢ

METAL STAMP TMC PART NO. 1/8 HIGH GOTHIC



A HOLE #27 .144 DIA & CSK 82° x .284 DIA, 2 REQ'D.

NOTES:

1. USE MATERIAL THICKNESS FOR MAX RADIUS ON ALL BENDS
2. ALL ANGULAR BENDS 90°
3. REMOVE ALL BURRS & SHARP EDGES.

REQ'D.	ITEM	PART NUMBER	DESCRIPTION	SYMBOL
		KOHN	E3037-61	
LIST OF MATERIAL				
MATERIAL		THE TECHNICAL MATERIEL CORP.		
.064 THK 5052-H32 ALUM		MAMARONECK, NEW YORK		
FINISH		TITLE		
S-404 YELLOW IRIDITE		COVER, IFT TANK		
UNLESS OTHERWISE SPECIFIED DIMENSIONS ARE IN INCHES AND INCLUDE CHEMICALLY APPLIED OR PLATED FINISHES				
DRAWN	DATE	FINAL APPROVAL		DATE
<i>[Signature]</i>	4-5-63	<i>[Signature]</i>		
CHECKED	DATE			
<i>[Signature]</i>	5-7-63			
ELECT. DES.	DATE			
R. KOHN	5-7-63	MS-3347		A
MECH. DES.	DATE			
N. Jordan	5/8/63			
SHEET				REV. LTR.

1	TTR-10	AX-409 THRU AX-412
QTY./UNIT	MODEL USED ON	ASSY. NO.
SCALE	CODE	
<i>[Signature]</i>	A	
THE CONTENTS OF THIS DRAWING ARE THE EXCLUSIVE PROPERTY OF THE TECHNICAL MATERIEL CORP. ITS UNAUTHORIZED USE OR REPRODUCTION IN WHOLE OR IN PART IS STRICTLY FORBIDDEN.		

NOTES