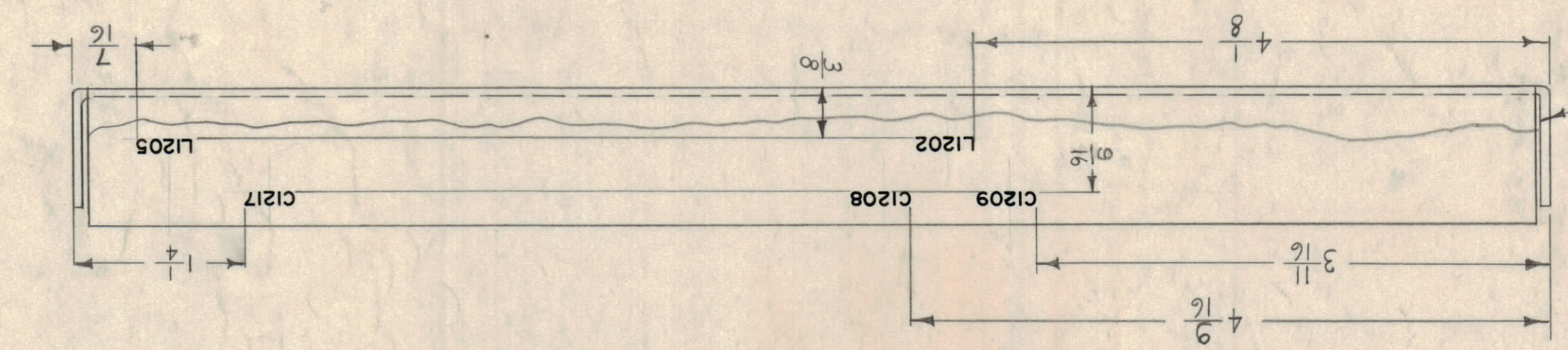


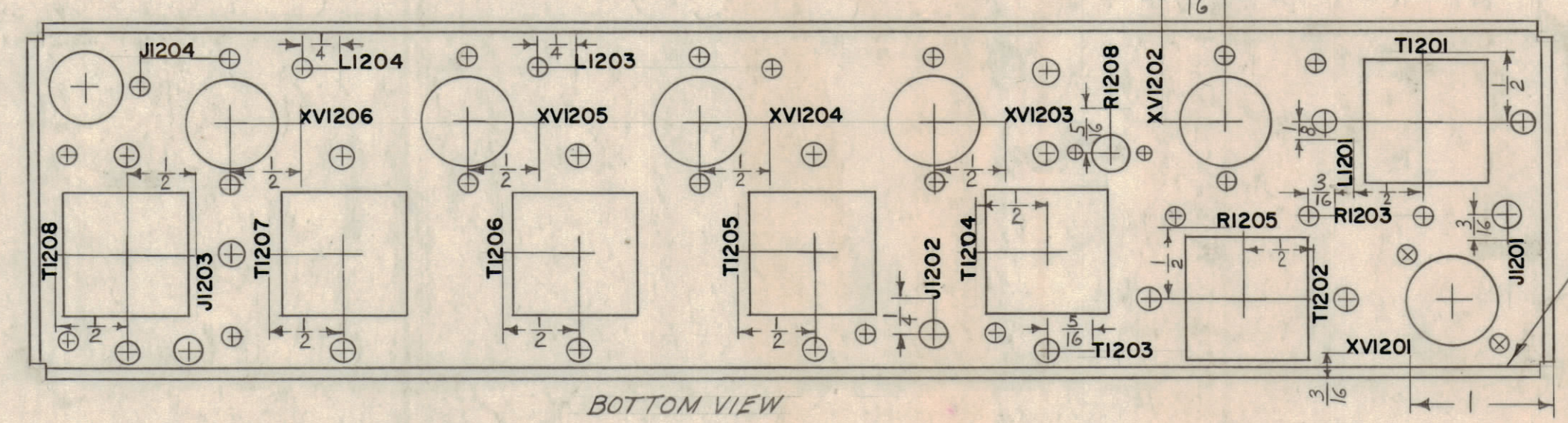
TOP VIEW

LIP BROKEN AS SHOWN TO SHOW STAMPING ON OPP LIP.

ALL LETTERING TO BE 3/32 HIGH BLACK



LIP BROKEN AS SHOWN TO SHOW STAMPING ON OPP LIP.



BOTTOM VIEW

LD-848 B

NOTICE TO PERSONS RECEIVING THIS DRAWING

THE TECHNICAL MATERIEL CORPORATION claims proprietary right in the material disclosed hereon. This drawing is issued in confidence for engineering information only and may not be reproduced or used to manufacture anything shown hereon without permission from THE TECHNICAL MATERIEL CORPORATION to the user. This drawing is loaned for mutual assistance and is subject to recall at any time.

Properly of:
THE TECHNICAL MATERIEL CORPORATION
MAMARONECK, NEW YORK

BYM	ZONE	DESCRIPTION	DATE	CH. NO.	DRAFTS	CHECKER	ENG. APP.
E-3	A	DIMENSION 9/16 WAS 3/4	4-29-61	5165	GDL	RLL	
		GAH6 WAS 6A116 ON VI203 & 1204 & 1205	11-29-60	3613	WAF		

UNLESS OTHERWISE SPECIFIED:
DIMENSIONS ARE IN INCHES
TOLERANCES ON
FRACTIONS ± 1/64 DECIMALS ± .005 ANGLES ± 1/2°

SCALE
MAXIMUM ALLOWABLE TOLERANCES HAVE BEEN DETERMINED AND ANY DEVIATIONS WILL BE CAUSE FOR REJECTION. REMOVE ALL BURRS & SHARP EDGES

REQ. PER UNIT	MODEL	SECTION	ASS'Y. NO.	DATE	TYPE & TEMPER	HEAT TREAT. SPEC.	FINISH & SPEC. NO.	ELEC. DES. APP.	MECH. DES. APP.	SHEET	OF
1	CHG-1			11-15-60						LD-848	B

REF: MS-2381-(4)