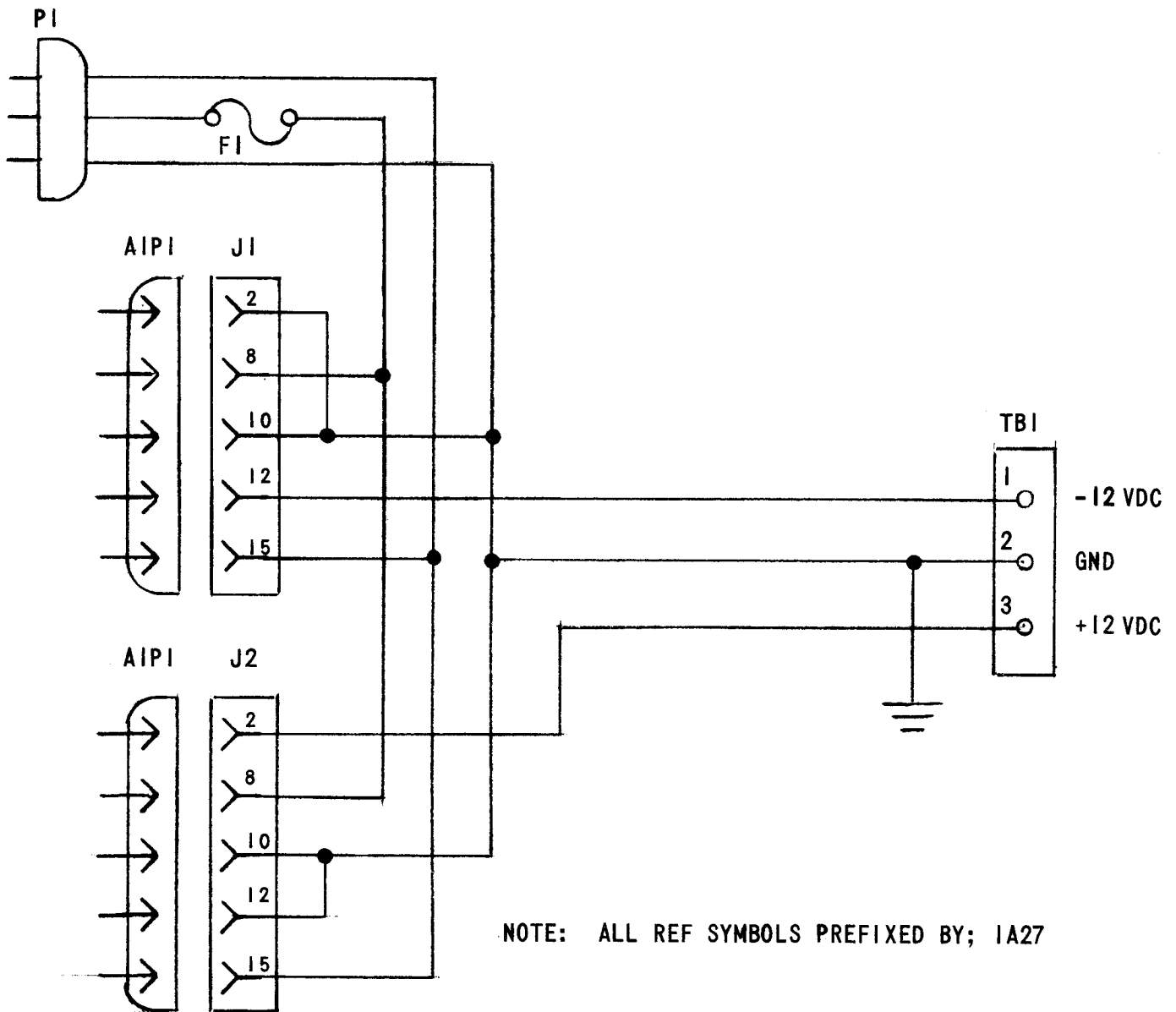


APPLICATION			REVISIONS							
QTY	MODEL USED ON	ASS'Y NO.	LTR	DESCRIPTION	DATE	E.M.N.NO	DRAFT	CHKD	APPD	
1	SPT3KVHF	API41	Ø	ORIGINAL RELEASE	3/11/69	Ø	CV	<i>[Signature]</i>	<i>[Signature]</i>	



UNLESS OTHERWISE SPECIFIED DIMENSIONS ARE IN INCHES AND INCLUDE CHEMICALLY APPLIED OR PLATED FINISHES		REQ'D	ITEM	PART NUMBER	DESCRIPTION	SYM.
DECIMALS .X ± .05 .XX ± .01 .XXX ± .005	FRACTIONS 1/64 ANGLES 0° - 30'	LIST OF MATERIAL				
MATERIAL	MECH. DES.	THE TECHNICAL MATERIEL CORP.				
FINISH	ELECT. DES.	MAMARONECK, NEW YORK				
	CHECKED	SCHEMATIC, DIAGRAM				
	DRAWN	API41 CHASSIS				
<b>NOTICE TO PERSONS RECEIVING THIS DRAWING</b> THE TECHNICAL MATERIEL CORPORATION claims proprietary right in the material disclosed hereon. This drawing is issued in confidence for engineering information only and may not be reproduced or used to manufacture anything shown hereon without permission from THE TECHNICAL MATERIEL CORPORATION to the user. This drawing is loaned for mutual assistance and is subject to recall at any time.		SIZE	CODE IDENT. NO.	DWG NO.	ISSUE	
		A	82679	CK 8161	Ø	
SCALE		SHEET		OF		