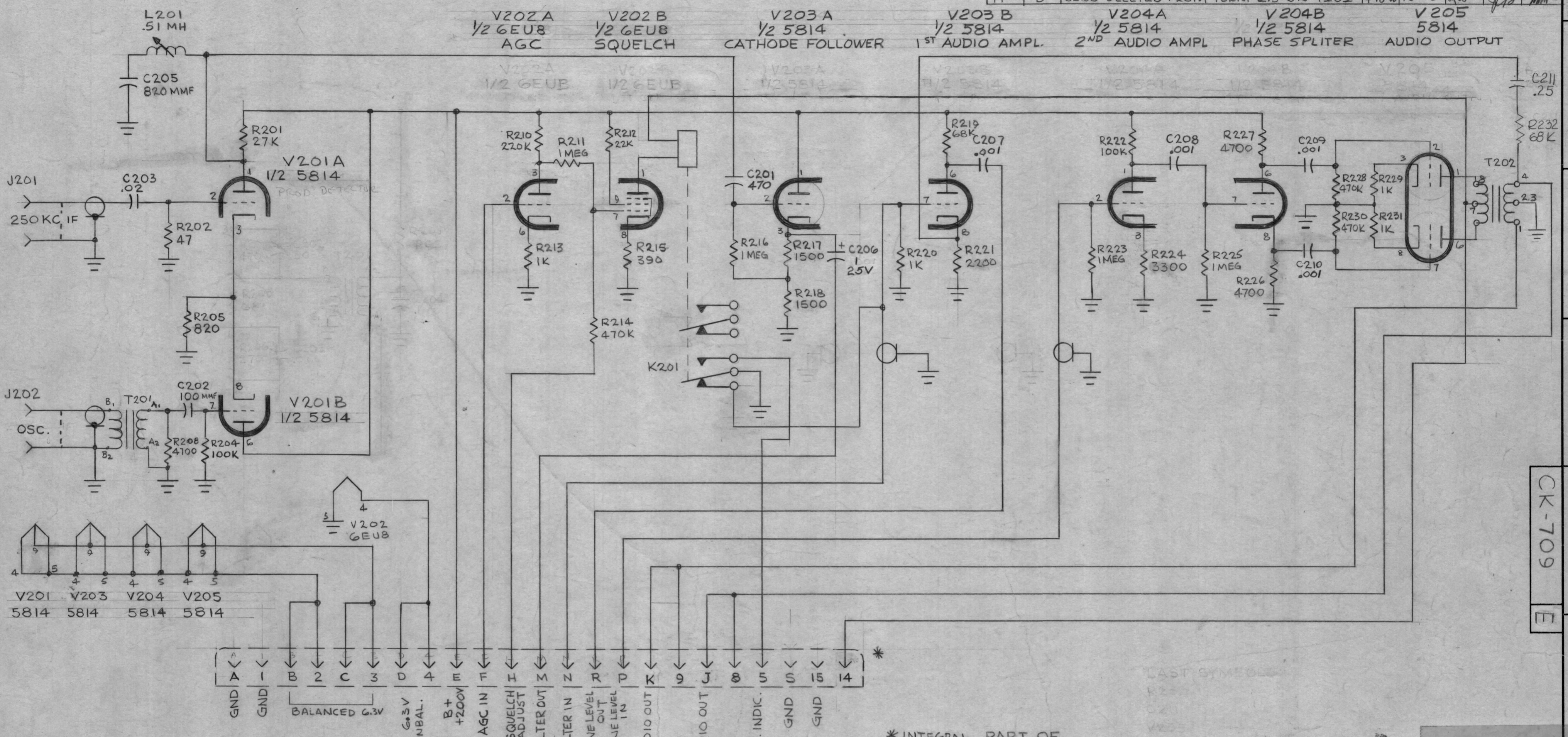


REVISIONS						
ZONE	SYM	DESCRIPTION	DATE	E.M.N. NO.	DRAFT	CHKD
F1	E	ON T202 TERM. 2,3 GRD ADDED	6-6-66	16334	C.D.L.	<i>[Signature]</i>

REVISIONS						
ZONE	SYM	DESCRIPTION	DATE	E.M.N. NO.	DRAFT	CHKD
	X	EXPERIMENTAL RELEASE	3-20-64	X	W.B.	
	O	ORIGINAL RELEASE FOR PRODUCTION	4-20-64	O	A.M.	
G5 B7 C2	A	V202 A & B WAS 1/2 6EUB ON LAST SYMB. J202 ADD., ON MISS. SYMB. T201 DELE DUPLICATE LAST SYMB. CHART DELETED.	7-23-64	11928	W.B.	<i>[Signature]</i>
	B	C201 WAS 10UF, C200 WAS 10UF, C207 WAS 10UF, C208 WAS 10UF, C209 WAS 10UF, C210 WAS 10UF	7-16-65	14322	W.B.	<i>[Signature]</i>
G1	C	C211 REV POS. WITH R232	3-9-66	15869	W.T.W.	<i>[Signature]</i>
F1	D	GRND DELETED FROM TERM 2,3 ON T202	4-18-66	16100	W.T.W.	<i>[Signature]</i>



LAST SYMBOLS	MISSING SYMBOLS
R232	R203
C211	R206
T202	R207
V205	R209
L201	C204
K201	T201
J202	

NOTE:
UNLESS OTHERWISE SPECIFIED,
ALL RESISTANCE VALUES ARE IN OHMS, 1/2 WATT,
ALL CAPACITANCE VALUES ARE IN MICRO-FARADS.

* INTEGRAL PART OF
PRINTED CIRCUIT BOARD.

CK-709
E

4	MSA-1	AX 469
QTY./UNIT	MODEL USED ON	ASSY. NO.
SCALE	CODE	
	A	

NOTES

THE CONTENTS OF THIS DRAWING ARE THE EXCLUSIVE PROPERTY
OF THE TECHNICAL MATERIEL CORP. ITS UNAUTHORIZED USE OR
REPRODUCTION IN WHOLE OR IN PART IS STRICTLY FORBIDDEN.

REQ'D.	ITEM	PART NUMBER	DESCRIPTION	SYMBOL
T. AALTONEN LIST OF MATERIAL				
MATERIAL		THE TECHNICAL MATERIEL CORP. MAMARONECK, NEW YORK		
FINISH		TITLE DIAGRAM, SCHEMATIC, ELECTRICAL (PLUG-IN AUDIO AMPLIFIER)		
UNLESS OTHERWISE SPECIFIED DIMENSIONS ARE IN INCHES AND INCLUDE CHEMICALLY APPLIED OR PLATED FINISHES		DRAWN T. KAMIREZ	DATE 10/2/63	FINAL APPROVAL R.K.
DECIMALS .X ± .05 .XX ± .01 .XXX ± .005		ELECT. DES. DATE 10/2/63		DATE 4/2/64
FRACTIONS ± 1/64 ANGLES ± 0° 30'		MECH. DES. DATE		DATE
		SHEET		REV. LTR.

A