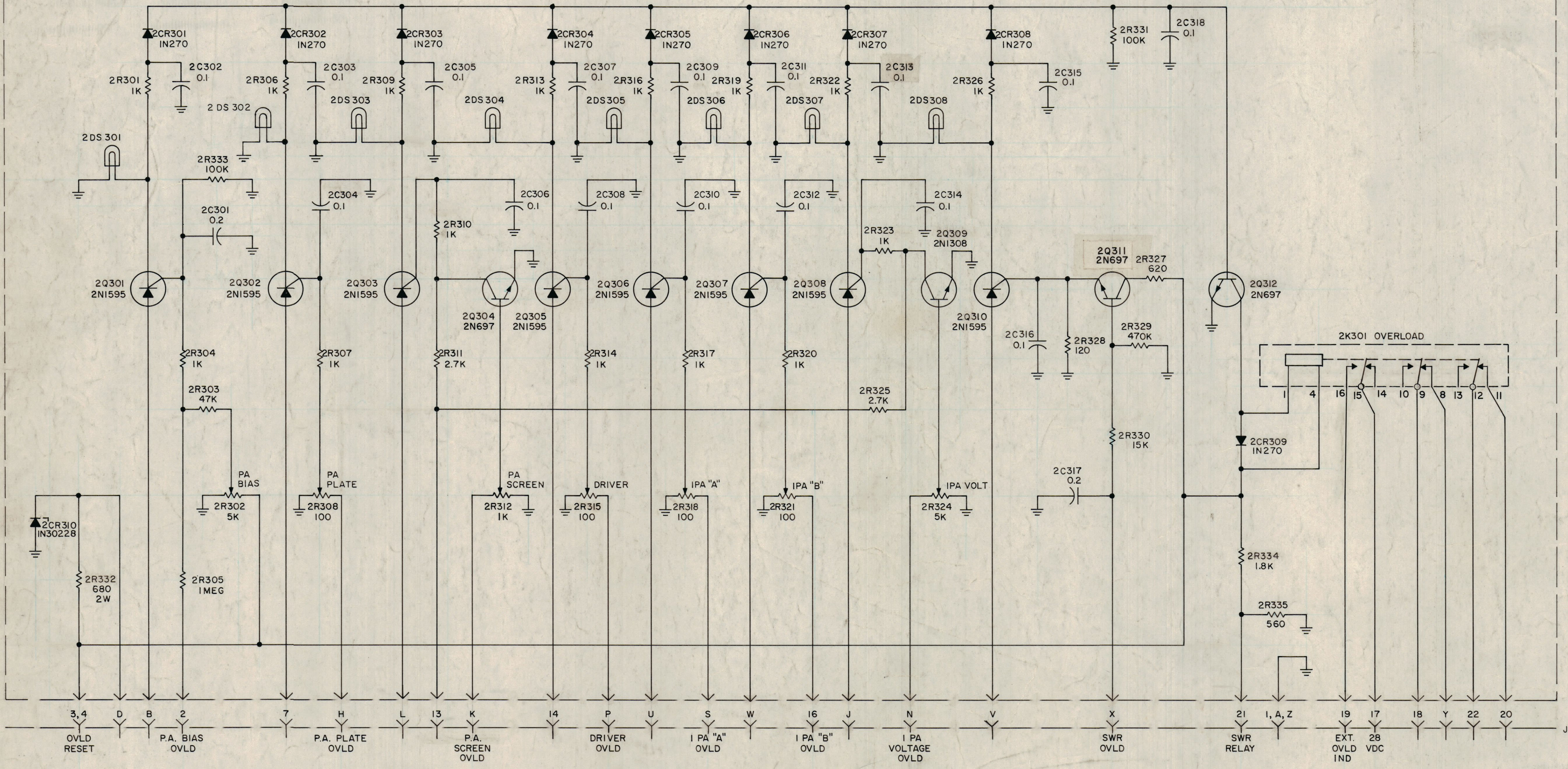


REVISIONS						
ZONE	LTR	DESCRIPTION	DATE	E.M.N.NO	DRAFT	CHKD APPD
X		EXP. RELEASE	1/16/68	+	H.P.	
X1		REV. #UPDATED	2/23/68	-	H.P.	
C		ORIGINAL RELEASE FOR PRD	4/3/68	0	H.P.	
A		ADDED Z301 PC415/A4651	5/17/68	18904	H.P.	
B		C 300 WAS C200 (MISS. SYM.)	5/19/68	19432	GE	
C		CR 310 WAS CR 309 (LAST SYM.)	1/23/71	20472	GE	

Z 301
PC415/A4651



UNLESS OTHERWISE SPECIFIED
1. ALL RESISTORS ARE IN OHMS
2. ALL CAPACITORS ARE IN MICROFARADS

300 SERIES	
LAST SYM	MISSING SYM
C318	C300
CR310	CR300
DS308	DS300
K301	K300
R335	R300
Q312	

NOTE:
2 Q312
DENOTES SUB ASS'Y NO DENOTES SYMBOL SERIES & REF DESIG. NO

MFR-10KES		A4651
I	BCT-IOKA	ASS'Y NO.
QTY / UNIT	MODEL USED ON	
APPLICATION		
CODE		
MATERIAL		
FINISH		

UNLESS OTHERWISE SPECIFIED DIMENSIONS ARE IN INCHES AND INCLUDE CHEMICALLY APPLIED OR PLATED FINISHES	
TOLERANCES ON	
DECIMALS	FRACTIONS
.X ± .05	± 1/64
.XX ± .01	ANGLES
.XXX ± .005	± 0° - 30'

QTY REQ.	ITEM	PART NO.	DESCRIPTION	SYMBOL
F. BUDETTI LIST OF MATERIAL SK3290-5030				
FINAL APPROVAL DATE 4-3-68				
MECH. DES. DATE 4-3-68				
ELECT. DES. DATE 4-3-68				
CHECKED DATE 4-2-68				
DRAWN DATE JAN 10, 68				
B. HARUCKI				
SIZE	CODE IDENT. NO.	DWG. NO.	ISSUE	
D	82679	CKI467	C	
SCALE	SHEET			OF

CKI467