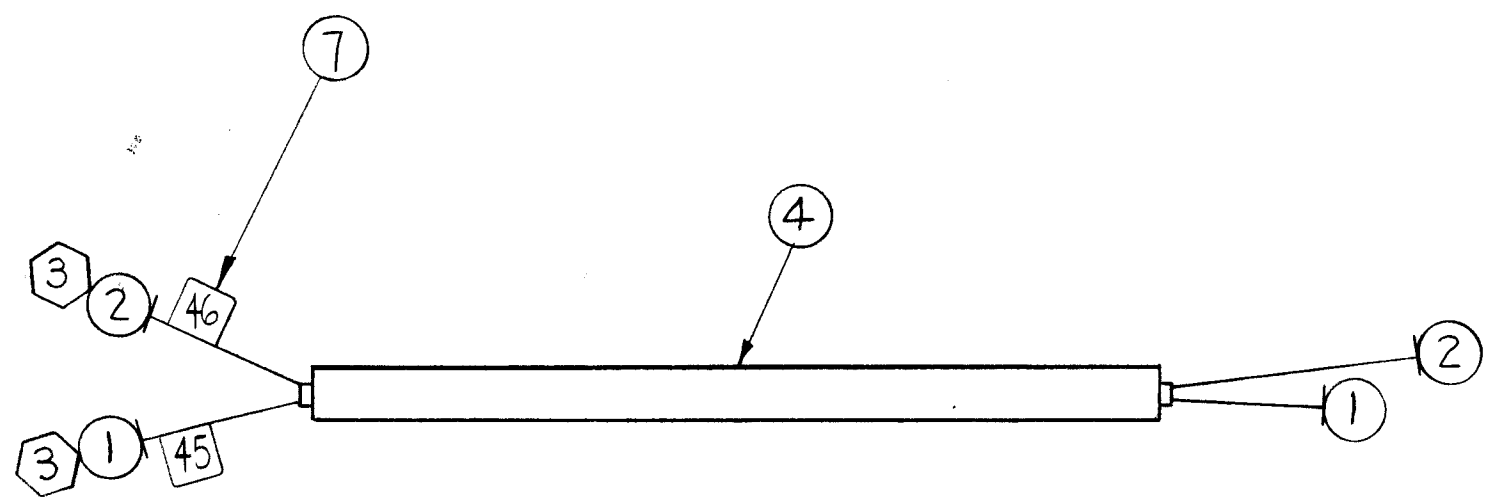


CA-781



REVISIONS					
SYM	DESCRIPTION	DATE	E.M.N. NO.	DRAFT	CHKD APPD
A	REDRAWN & REVISED				
0	ORIGINAL RELEASE FOR PRODUCTION	4-27-64		SRG	

THIS SYMBOL DENOTES END OF INSULATION →

← THIS EQUALS THIS

*NAIL DRIVING POINT. WIRE MUST BE STRIPPED 3/4" BEYOND THIS POINT & TINNED 1/2" UNLESS OTHERWISE SPECIFIED.

WIRES SHOULD BE PLACED IN CABLE IN NUMERICAL SEQUENCE AS THEY APPEAR IN ITEM COLUMN. SPACE LACING APPROX. 3/4" APART.

NOTES

~SYMBOL NOTES~

- DENOTES ITEM NO.'S.
- ⬡ DENOTES LUGS
- DENOTES TAGS

REQ'D.	ITEM	PART NUMBER	DESCRIPTION	SYMBOL
	7	LA-101-45 & 46	WIRE MARKERS	
	6	BS-100	SOLDER, SOFT	
	5	CD-101-1-MW	CORD, LACING	BLACK
	4	PX-100-1-294	SLEEVING, INSULATION	BLACK
2	3	TE-120-2	LUG, SOLDER	
	2	MWC20(7)B96	CABLE, INSULATED, FIBERGLASS	WH/BLUE
	1	MWC20(7)B3	CABLE, INSULATED, FIBERGLASS	ORANGE

F. BUDETTI					LIST OF MATERIAL	
MATERIAL			THE TECHNICAL MATERIEL CORP. MAMARONECK, NEW YORK			
FINISH			TITLE CABLE ASS'Y., TUBE PROTECT RELAY (RELAY B)			
UNLESS OTHERWISE SPECIFIED DIMENSIONS ARE IN INCHES AND INCLUDE CHEMICALLY APPLIED OR PLATED FINISHES			DRAWN G. J. J.	DATE 4-24-63	FINAL APPROVAL 	
DECIMALS .X ± .05 .XX ± .01 .XXX ± .005			TOLERANCES ± 1/64 ANGLES ± 0° 30'		MECH. DES. S.D.	DATE 2-7-64
THE CONTENTS OF THIS DRAWING ARE THE EXCLUSIVE PROPERTY OF THE TECHNICAL MATERIEL CORP. ITS UNAUTHORIZED USE OR REPRODUCTION IN WHOLE OR IN PART IS STRICTLY FORBIDDEN.			ELECT. DES. S.D.		CA-781	0
Q'TY./UNIT 1 GPT-200K MODEL USED ON AR-154 ASS'Y. NO.			SCALE CODE A		SHEET REV. LTR.	