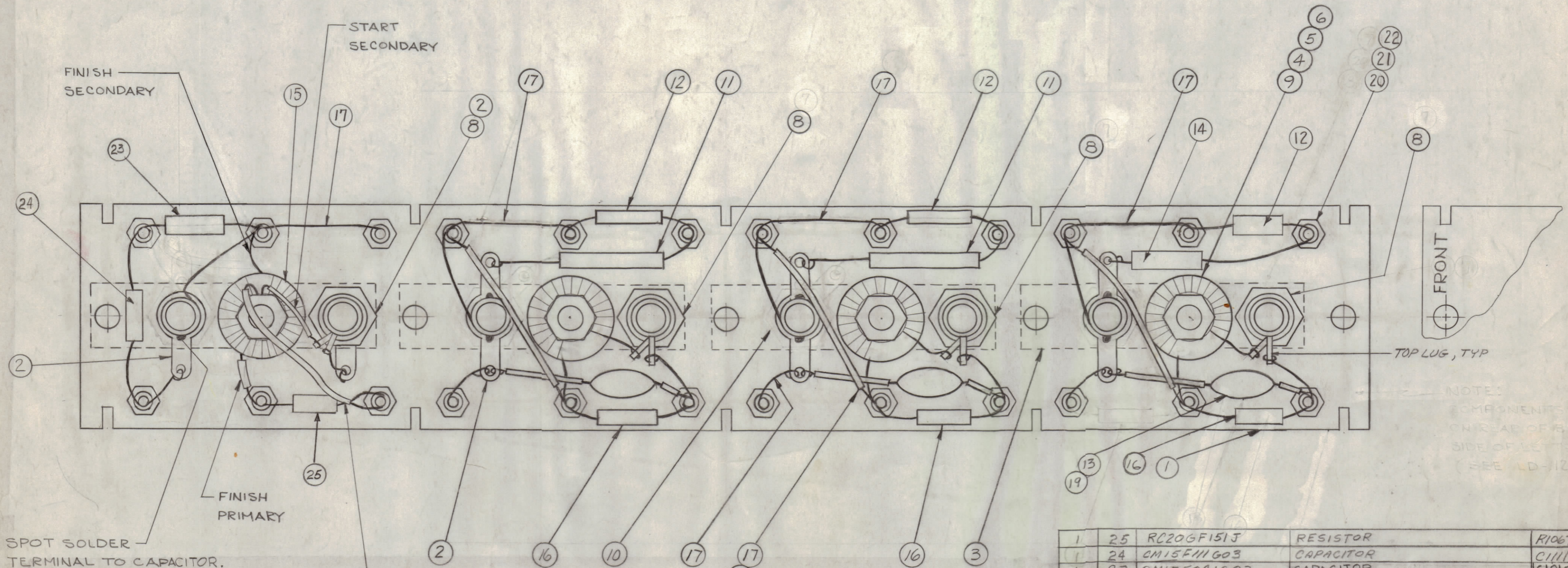
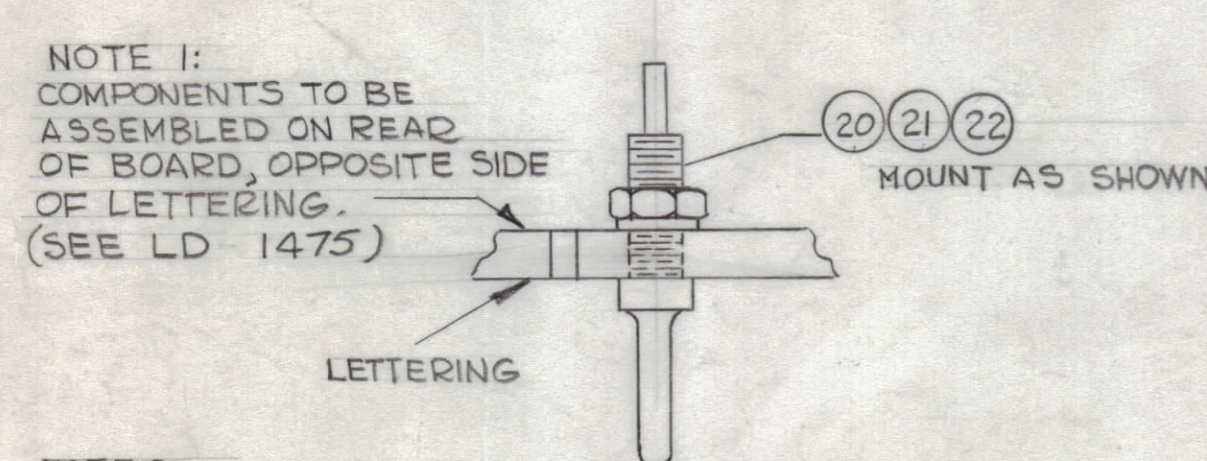


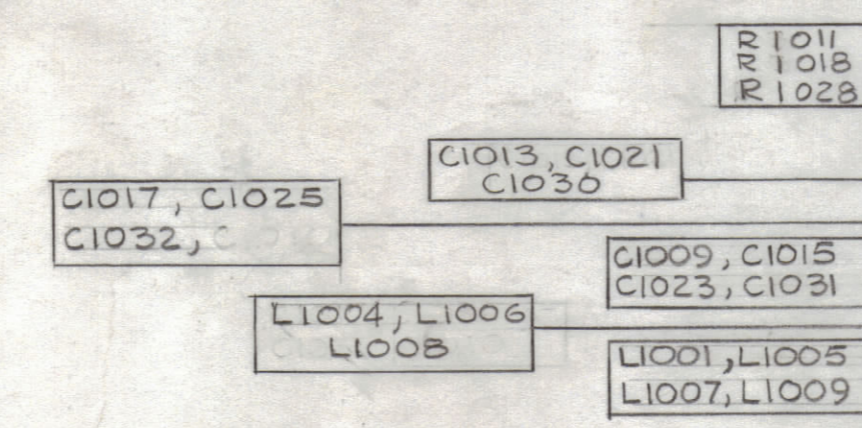
| REVISIONS | | | | | | | |
|-----------|-----|--|---------|------------|--------|------|------|
| ZONE | SYM | DESCRIPTION | DATE | E.M.N. NO. | DRAFT | CHKD | APPD |
| | X | EXPERIMENTAL RELEASE | 3-26-64 | | | | |
| | Ø | ORIGINAL RELEASE FOR PRODUCTION | 8-13-64 | | | | |
| | A | IT. 10 P/N. WAS CM110-3 | 1-21-65 | 13337 | | | |
| | B | IT. 23, WAS CM15C 560G. IT. 24, 25 ADDED | 1992/65 | 14956 | | | |
| | C | Ø3 ADDED IT. 14, IT. 16 RC206F223J WAS K ITEM II WAS CM20F132E | 224-67 | 17841 | L.A.K. | | |
| | D | ITEM 7 (LWE 10 MRN) DELETED, NOTE 2 ADDED | 8-21-67 | 18432 | H.S. | | O.P. |



NOTE:
COMPONENTS TO BE ASSEMBLED ON REAR OF BOARD, OPPOSITE SIDE OF LETTERING. (SEE LD-1475)



NOTE 2:
USE LOCKWASHER & NUT AS SUPPLIED BY VENDOR WITH CF 134-5-E



| REQ'D. | ITEM | PART NUMBER | DESCRIPTION | SYMBOL |
|--------|------|------------------|-------------------------------|----------------|
| 1 | 25 | RC206F151J | RESISTOR | R1067 |
| 1 | 24 | CM15F11603 | CAPACITOR | C1111 |
| 1 | 23 | CM15F241G03 | CAPACITOR, | C1010 |
| 24 | 22 | NTH0440BNG | NUT, HEX | |
| 24 | 21 | LWS04MRN | WASHER, LOCK, SPRING TYPE | |
| 24 | 20 | TE 191-1 | TERMINAL | |
| X | 19 | PX 104-1-034 | INSULATION SLEEVING, #20 | |
| X | 18 | BS 100 | SOLDER, SOFT | |
| X | 17 | WL 100-6 | WIRE, BUSS, #20 AWG | |
| 3 | 16 | RC206F223J | RESISTOR, 22K | |
| 1 | 15 | TZ 175 | TRANSFORMER | T1001 |
| 1 | 14 | CM20FB21G03 | CAPACITOR, 820 MMF | C1033 |
| 3 | 13 | CC 100-24 | CAPACITOR, 0.02 MF | |
| 3 | 12 | CM15C 750G | CAPACITOR, 75 MMF | |
| 2 | 11 | CM100-9 | CAPACITOR, 1300MMF | E1016 E1024 |
| 4 | 10 | CV 108-3 | CAPACITOR, VARIABLE .9-18 | |
| 3 | 9 | CL 335 | COIL, RF, ASSY | |
| 4 | 8 | AC 164 | COIL, R.F., TUNED | |
| 5 | 7 | DELETED | | |
| 4 | 6 | FW 101-1 | WASHER, FLAT, NYLON | |
| 4 | 5 | NT 137-0632 | NUT, NYLON | |
| 4 | 4 | SC 143-0632-B-10 | SCREW, NYLON | |
| 4 | 3 | MS 2897 | STRAP, GROUND | |
| 8 | 2 | TE 104-4 | WLG, GROUND | |
| 1 | 1 | LD 1475/PX 649 | TERMINAL BOARD, RF (LETTERED) | |

| ANGER LIST OF MATERIAL | | | |
|---|--|--------------|----------------|
| MATERIAL | THE TECHNICAL MATERIEL CORP. MAMARONECK, NEW YORK | | |
| FINISH | TITLE | DATE | FINAL APPROVAL |
| | AX 490 ASS'Y. RF, TERMINAL BOARD BAND#1 | 3-6-63 | |
| UNLESS OTHERWISE SPECIFIED DIMENSIONS ARE IN INCHES AND INCLUDE CHEMICALLY APPLIED OR PLATED FINISHES | DRAWN G.D.L. | DATE 8-24-64 | DATE |
| DECIMALS X ± .05 .XX ± .01 .XXX ± .005 | CHECKED @ | DATE 3/25/64 | DATE |
| FRACTIONS ± 1/64 ANGLES ± 0° 30' | ELECT. DES. Anger | DATE | DATE |
| TOLERANCES | MECH. DES. | DATE | DATE |
| SHEET | | REV. LTR. | |

| Q'TY./UNIT | MODEL USED ON | ASS'Y. NO. |
|------------|---------------|------------|
| 1 | HFR-2 | |
| 1 | HFR-1A | |
| SCALE | CODE | |
| 2:1 | A | |

THE CONTENTS OF THIS DRAWING ARE THE EXCLUSIVE PROPERTY OF THE TECHNICAL MATERIEL CORP. ITS UNAUTHORIZED USE OR REPRODUCTION IN WHOLE OR IN PART IS STRICTLY FORBIDDEN.

NOTES

A 3520 D