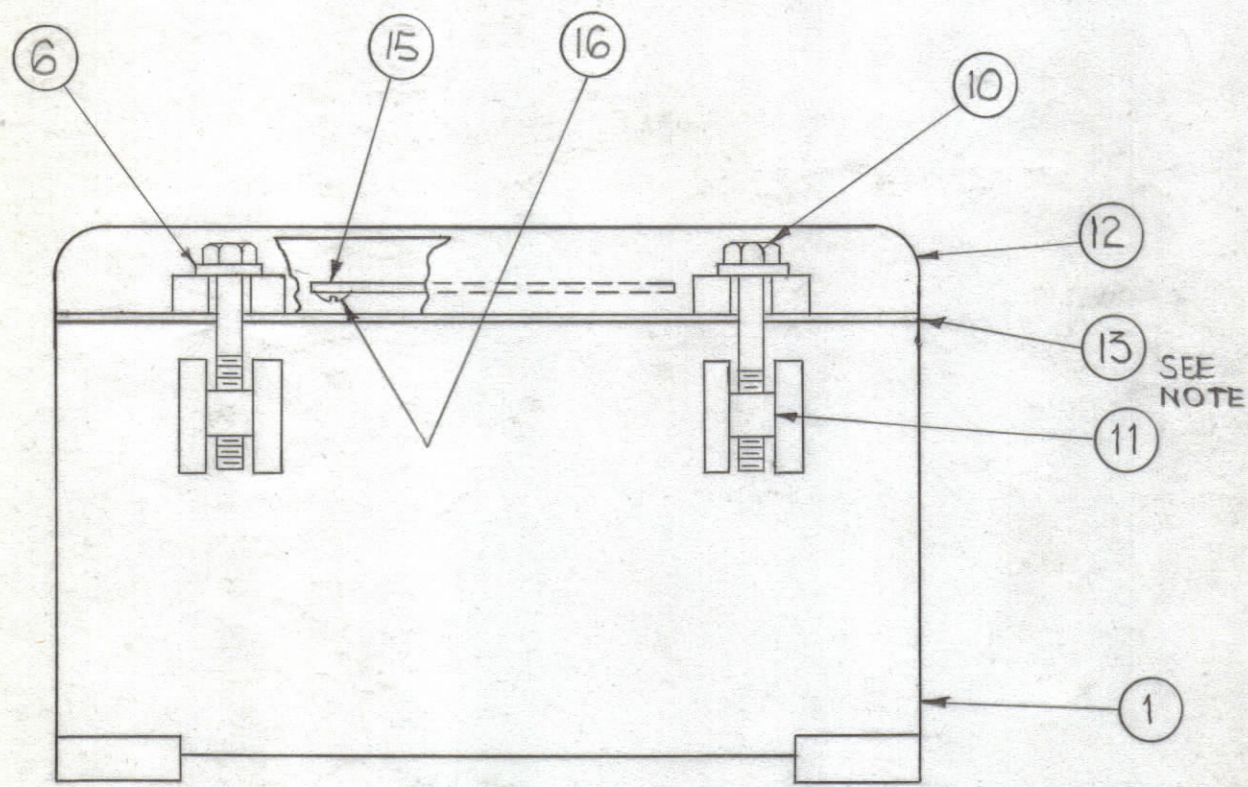
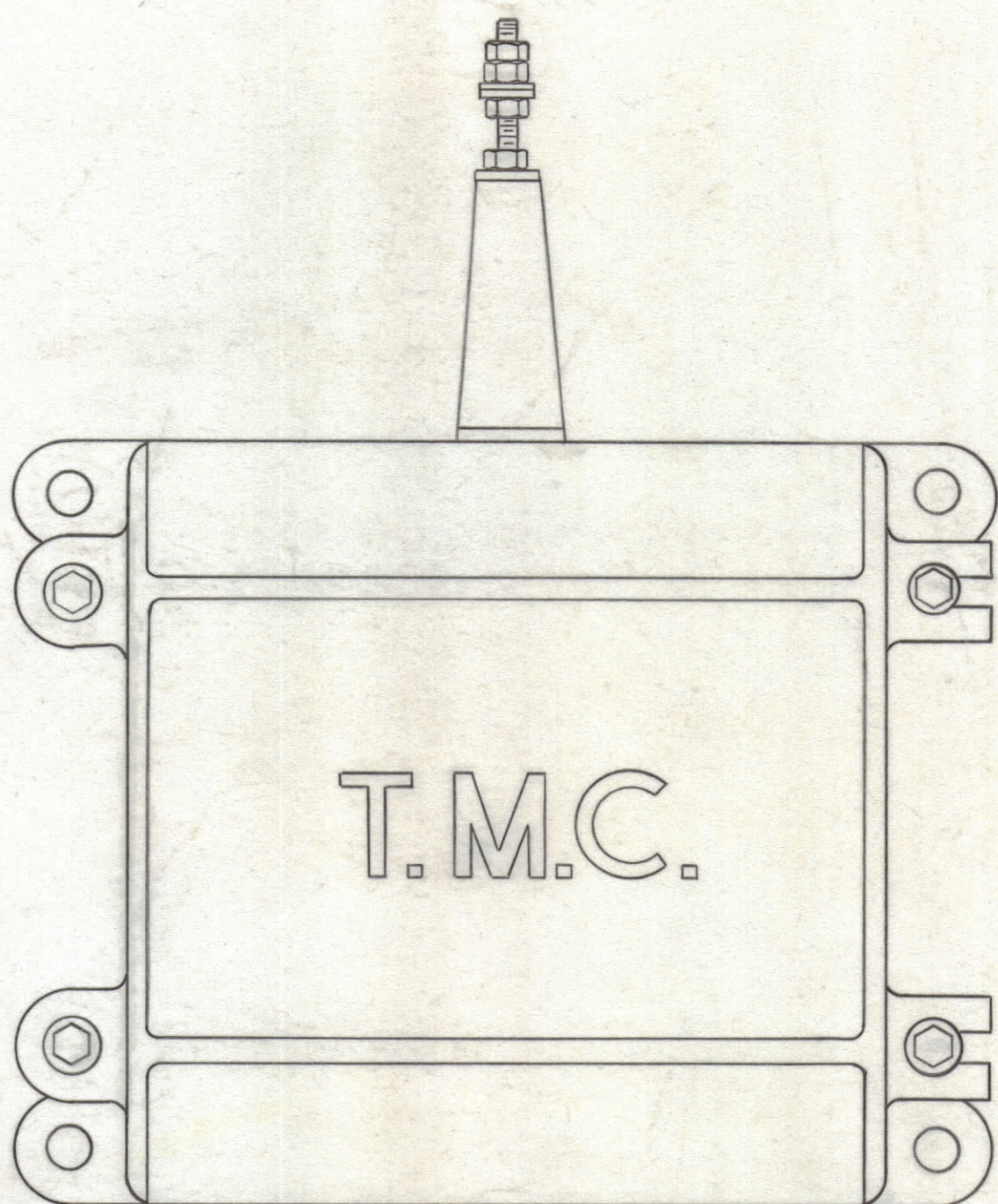
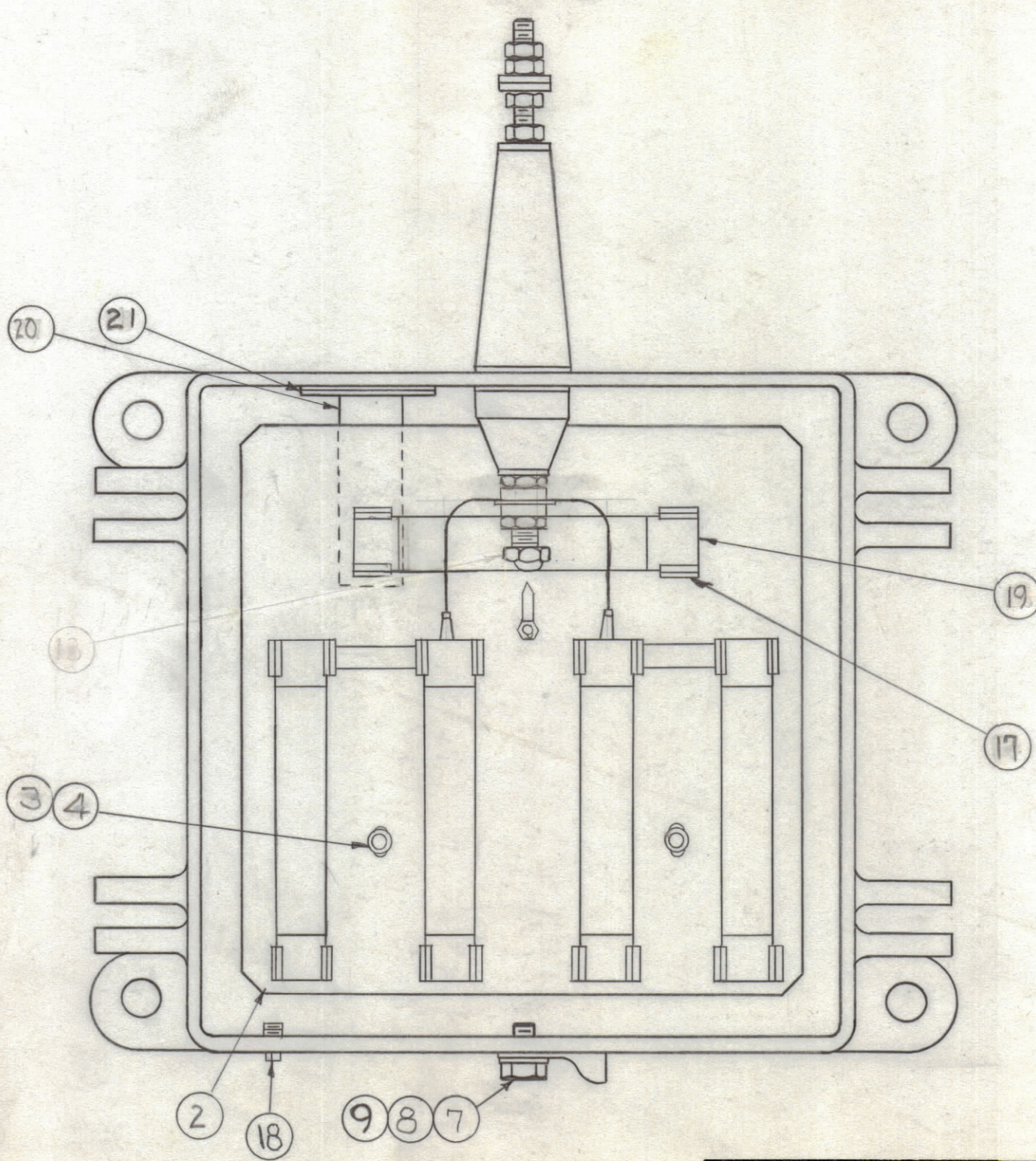
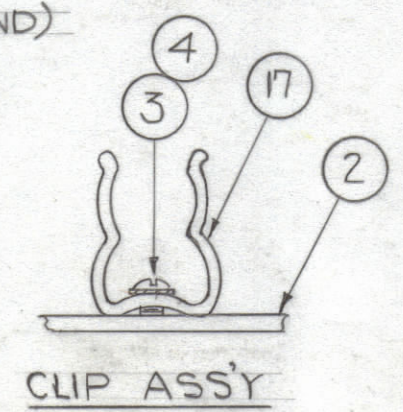


REVISIONS							
ZONE	SYM	DESCRIPTION	DATE	E.M.N. NO.	DRAFT	CHKD	APPD



NOTE ITEM 13  
 CEMENT GASKET GA-103 (ITEM 13)  
 TO COVER (PM-105) USING  
 ITEM 14 (PLIOBOND)



REQ'D.	ITEM	PART NUMBER	DESCRIPTION	SYMBOL
	22	S-791	TEST SPEC.	
2	21	AD-101-1/16	DESICCANT	
1	20	MS-933	HOLDER, DESICCANT	
1	19	RR-133-1	RESISTOR	
1	18	SC-134	PLUG, PIPE	
2	17	FC-101	CLIP, FUSE	
4	16	SFB0256SN4	SCREW, THREAD CUTTING	
1	15	LD-1399	DIAGRAM, SCHEMATIC	
X	14	GL-101-2	ADHESIVE, PLIOBOND	
1	13	GA-103	GASKET, COVER	
1	12	PM-105	COVER	
4	11	PM-100	NUT, PLAIN BARREL	
4	10	SCHH2520SS28	BOLT, MACHINE	
1	9	LWS25MSS	WASHER, LOCK, SPLIT	
1	8	SCHH2520SS8	BOLT, MACHINE	
4	6	FW25HSS	WASHER, FLAT	
1	5	A-102	INSULATOR, ASSY	
4	4	LWE08MRN	WASHER, LOCK, EXT.	
4	3	SCBPO832BN4	SCREW, MACHINE	
1	2	A-3305	RESISTOR # MOUNTING PLATE, ASSY.	
1	1	PM-811	CASE, MACHINING	

K. HAY LIST OF MATERIAL  
 THE TECHNICAL MATERIEL CORP.  
 MAMARONECK, NEW YORK

RTB-14		
Q'TY./UNIT	MODEL USED ON	ASS'Y. NO.
SCALE	CODE	
#	A	

UNLESS OTHERWISE SPECIFIED DIMENSIONS ARE IN INCHES AND INCLUDE CHEMICALLY APPLIED OR PLATED FINISHES			
DECIMALS .X ± .05 .XX ± .01 .XXX ± .005	TOLERANCES	FRACTIONS ± 1/64 ANGLES ± 0° 30'	

NOTES

THE CONTENTS OF THIS DRAWING ARE THE EXCLUSIVE PROPERTY OF THE TECHNICAL MATERIEL CORP. ITS UNAUTHORIZED USE OR REPRODUCTION IN WHOLE OR IN PART IS STRICTLY FORBIDDEN.

DRAWN	DATE	FINAL APPROVAL	DATE
Lewis	10/28/63		
CHECKED	DATE		
HO	11/17/63		
ELECT. DES.	DATE		
MECH. DES.	DATE		
	11/17/63		

A-3306

A-3306