

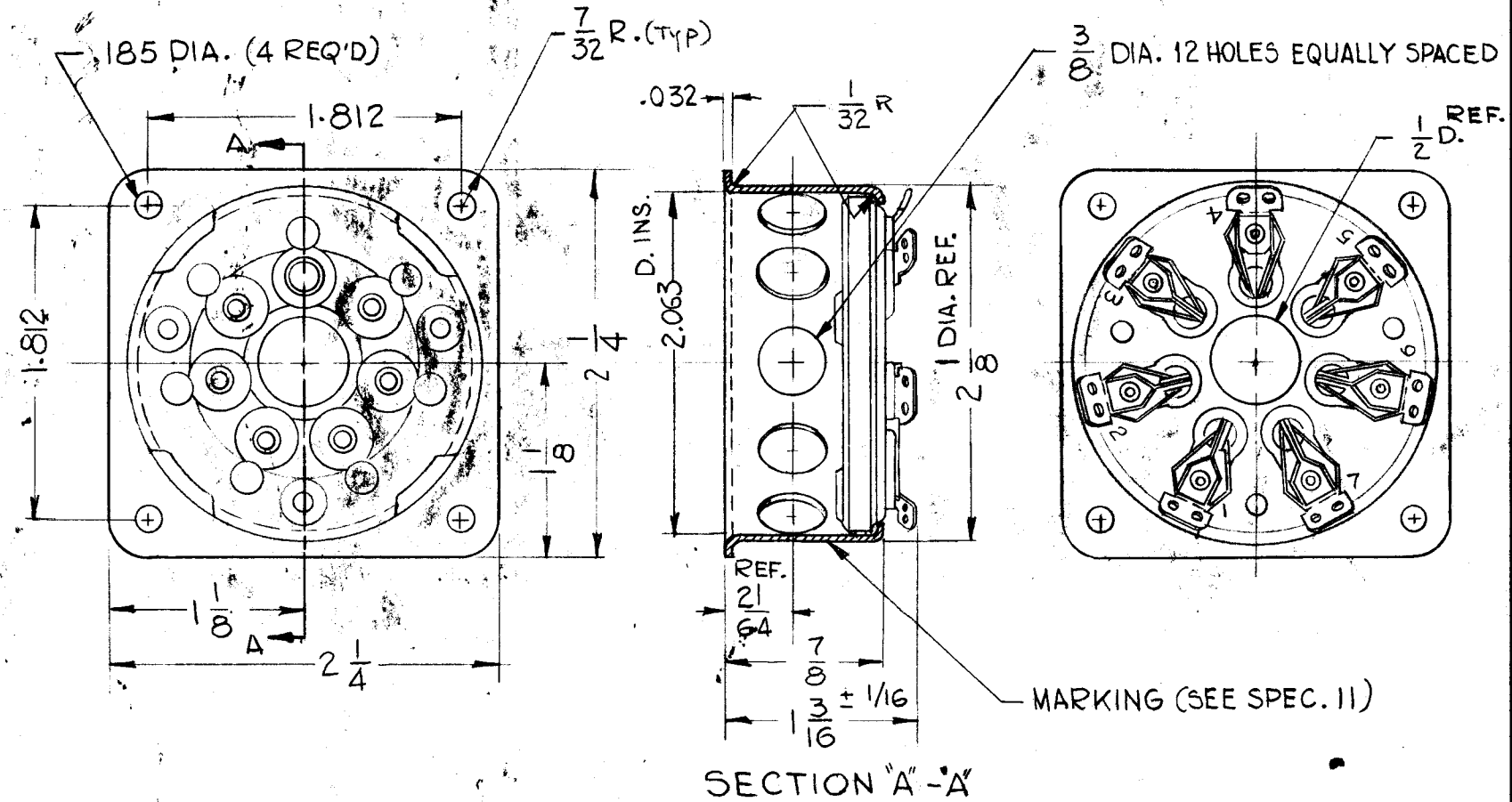
TMC PART NO.	MFRS. PART NO.	APPLICATION
TS-168-1	122-105-200	MILITARY

REVISIONS					
SYM	DESCRIPTION	DATE	E.M.N. NO.	DRAFT	CHKD APPD

TS-168

**SPECIFICATIONS**

1. CONFIGURATION: MEDIUM SEPTAR 7-PIN FOR EIA TUBE BASE TYPE E7-20 (TYPICAL TUBES: 5894, 6524, 6552)
2. CONTACTS
  - A. MATERIAL: PHOSPHOR BRONZE WITH BERYLLIUM COPPER SPRINGS.
  - B. FINISH: SILVER PLATED
3. BODY
  - A. CONSTRUCTION: MOLDED
  - B. MATERIAL: STEATITE, L-4
  - C. FINISH: GLAZED TOP & SIDES
4. TERMINALS
  - A. TYPE: SOLDER TAB WITH ONE 5/64 D. HOLE & ONE 3/32 D. HOLE.
  - B. MATERIAL: BRASS
  - C. FINISH: HOT TINNED DIP
5. SHIELDING SHELL: ALUMINUM, IRIDITE
6. TUBE SHIELD PROVISIONS: NONE
7. TUBE RETAINING DEVICE: NONE
8. SPECIAL FEATURES
  - A. PROTECTED FOR 200 HR. SALT SPRAY TEST
9. POLARIZATION: CONTACT NO. 4 LARGER THAN OTHER (PER STD. E7-20 CONFIGURATION)
10. WITHDRAWAL FORCE:
  - A. CONTACTS # 1, 2, 3, 5, 6, 7: MUST HAVE 4 OZ. MIN. TO 8 OZ. MAX. PER CONTACT WHEN TESTED WITH .058 DIAM. PIN AFTER 5 INSERTIONS.
  - B. CONTACT #4: MUST HAVE 10 OZ. MIN. TO 28 OZ. MAX. WHEN TESTED WITH .125 DIAM. PIN AFTER 5 INSERTIONS.
11. MARKING: OUTER SHELL SHALL BE MARKED WITH MFRS. NO. & TMC NO. IN 1/16 BLACK CHARACTERS IN A LOCATION PER MFRS. OPTION WITH A COLORLESS COATING PER MIL-V-173A.



REQ'D.	ITEM	PART NUMBER	DESCRIPTION	SYMBOL
KOHN LIST OF MATERIAL E3037				
MATERIAL		THE TECHNICAL MATERIEL CORP. MAMARONECK, NEW YORK		
FINISH		TITLE SOCKET, ELECTRONIC TUBE, 7-PIN		
UNLESS OTHERWISE SPECIFIED DIMENSIONS ARE IN INCHES AND INCLUDE CHEMICALLY APPLIED OR PLATED FINISHES		DRAWN G.D.L.	DATE 9-6-63	FINAL APPROVAL <i>BP</i>
DECIMALS .X ± .05 .XX ± .01 .XXX ± .005		CHECKED <i>HQ</i>	DATE 9-7-63	
FRACTIONS ± 1/64 ANGLES ± 0° 30'		ELECT. DES. RonKohn	DATE 9-9-63	TS-168
TOLERANCES		MECH. DES. W. JORDAN	DATE 9/9/63	SHEET
				REV. LTR.

1	TTR-10	AX-418
Q'TY./UNIT	MODEL USED ON	ASS'Y. NO.
SCALE 1:1	CODE	5401-47

THE CONTENTS OF THIS DRAWING ARE THE EXCLUSIVE PROPERTY OF THE TECHNICAL MATERIEL CORP. ITS UNAUTHORIZED USE OR REPRODUCTION IN WHOLE OR IN PART IS STRICTLY FORBIDDEN.

NOTES