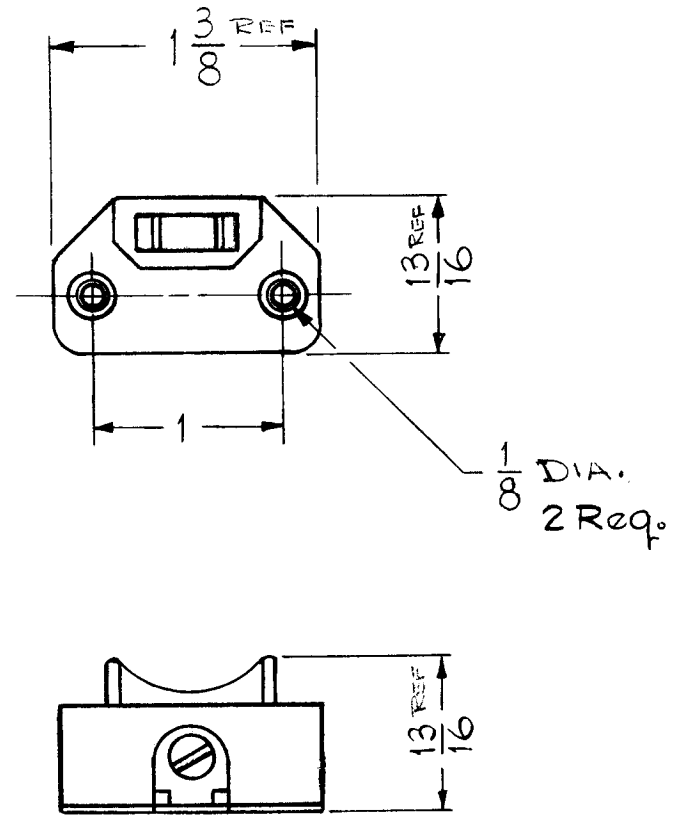


REQ. PER. UNIT	USED ON			TS-145
	MODEL	ASS'Y. NO.	DATE	
2	CON		12-10-59	

SPECIFICATIONS ~

660 WATTS
 250VOLTS AC
 COLOR ~ BLACK



FOR USE w/ TMC PT. NOS HB-114 & BI-108

							REQ. ITEM	PART NO.	DESCRIPTION	SYMBOL		
									THE TECHNICAL MATERIEL CORP.			
									MAMARONECK, NEW YORK			
									SOCKET			
ISSUE	ITEM	CHANGED FROM	DATE	CH. NO.	DRAFTS	CHECKER	ENG. APP.					
TOLERANCES			SCALE: S401-83 (3891)						J.C. Biele			
DEC. DIM. ±			MAXIMUM ALLOWABLE TOLERANCES HAVE BEEN DETERMINED AND ANY DEVIATIONS WILL BE CAUSE FOR REJECTION. REMOVE ALL BURRS AND SHARP EDGES				TYPE & TEMPER		HEAT TREAT. SPEC.	DRAWN	CHECKED	FINAL APPROVAL
FRAC. DIM. ±							FINISH & SPEC. NO.		ELEC. DES. APP	MECH. DES. APP	TS-145	
ANGULAR DIM. ±												