

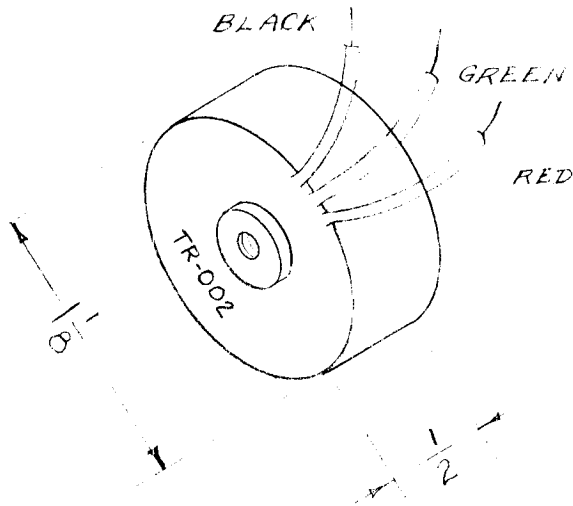
IF IT IS FOUND DESIRABLE TO CHANGE ANY TOLERANCE OR OTHER DETAIL SPECIFIED ON THIS DRAWING NOTIFY THE PURCHASER PROMPTLY.

TR-002

MAXIMUM ALLOWABLE TOLERANCES HAVE BEEN DETERMINED AND DEVIATIONS WILL BE CAUSE FOR REJECTION. REMOVE ALL BURRS AND SHARP EDGES

REQ. PER UNIT	USED ON			
	MODEL	PROJECT NO.	ASS'Y. NO.	DATE
1	TR-002			4-4-55

ELECTRICAL SPECIFICATION  
 INPUT 70 Ω UNBALANCED  
 OUTPUT 700 Ω UNBALANCED  
 RANGE 2-64 mc ± 3db



REQ.	ITEM	PART NO.	DESCRIPTION	SYMBOL
			THE TECHNICAL MATERIEL CORP. MAMARONECK. NEW YORK	
		STOCK SIZE	TRANSFORMER, H.F.O. (TR-002)	
		MATERIAL	SPECIFICATION	
		WEIGHT PER PC.		
		TYPE & TEMPER	PA. 4-4-55	
			DRAWN	ELEC. DES. APP. MECH. DES. APP.
		HEAT TREAT. SPEC.	CHECKED	FINAL APPROVAL
		FINISH & SPEC. NO.	2A-453	TR-002

ISSUE	ITEM	CHANGED FROM	DATE	CN. NO.	DRAFTS	CHECKER	ENG. APP.

TOLERANCES		SCALE
ALL OTHERS	DEC. DIM. ± FRAC. DIM. ± ANGULAR DIM. ±	DRILL, PUNCH, COMMERCIAL STOCK SIZES AND MANUFACTURERS TOLERANCES ARE NOT INCLUDED.

IF IT IS FOUND DESIRABLE TO CHANGE ANY TOLERANCE OR OTHER DETAIL SPECIFIED ON THIS DRAWING NOTIFY THE PURCHASER PROMPTLY.

TR-006 A

MAXIMUM ALLOWABLE TOLERANCES HAVE BEEN DETERMINED AND DEVIATIONS WILL BE CAUSE FOR REJECTION. REMOVE ALL BURRS AND SHARP EDGES

USED ON

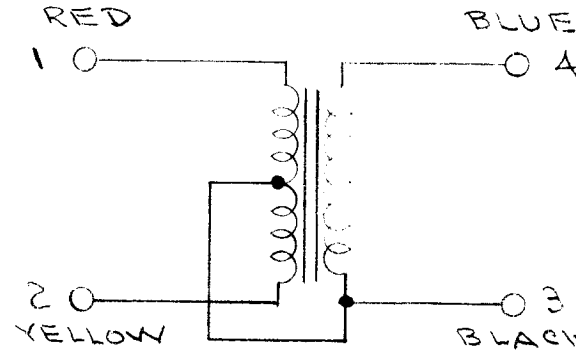
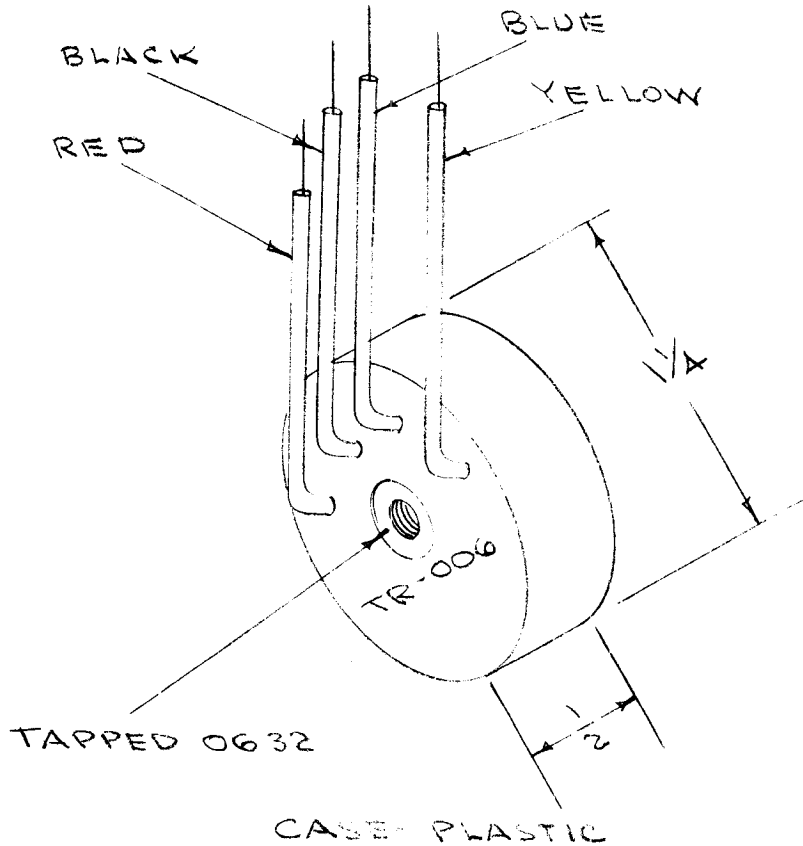
MODEL

PROJECT NO.

ASS'Y. NO.

DATE

ALL LEADS 2"



ELECTRICAL SPECIFICATIONS  
INPUT

300Ω BALANCED (RED-YELLOW)

70Ω UNBALANCED (RED OR YELLOW - BLACK)

OUTPUT

300Ω UNBALANCED (BLUE - BLACK)

FREQ. RESPONSE

100 - 400 KC ± .5db.

REQ.	ITEM	PART NO.	DESCRIPTION	SYMBOL
		#	THE TECHNICAL MATERIEL CORP. MAMARONECK, NEW YORK	
		STOCK SIZE		
		#	TRANSFORMER	
		MATERIAL		
		WEIGHT PER PC.		
		#	TR-006	
		TYPE & TEMPER	C.D.D. 4-30-54	
		HEAT TREAT. SPEC.	DRAWN	ELEC. DES. APP. MECH. DES. APP.
		#	4A-744	FINAL APPROVAL
		FINISH & SPEC. NO.	4A-744	TR-006 A

A	1	Schematic Pictorial Clarified	7361	5187	WLF	STM	
ISSUE	ITEM	CHANGED FROM	DATE	CN. NO.	DRAFTS	CHECKER	ENG. APP.

TOLERANCES

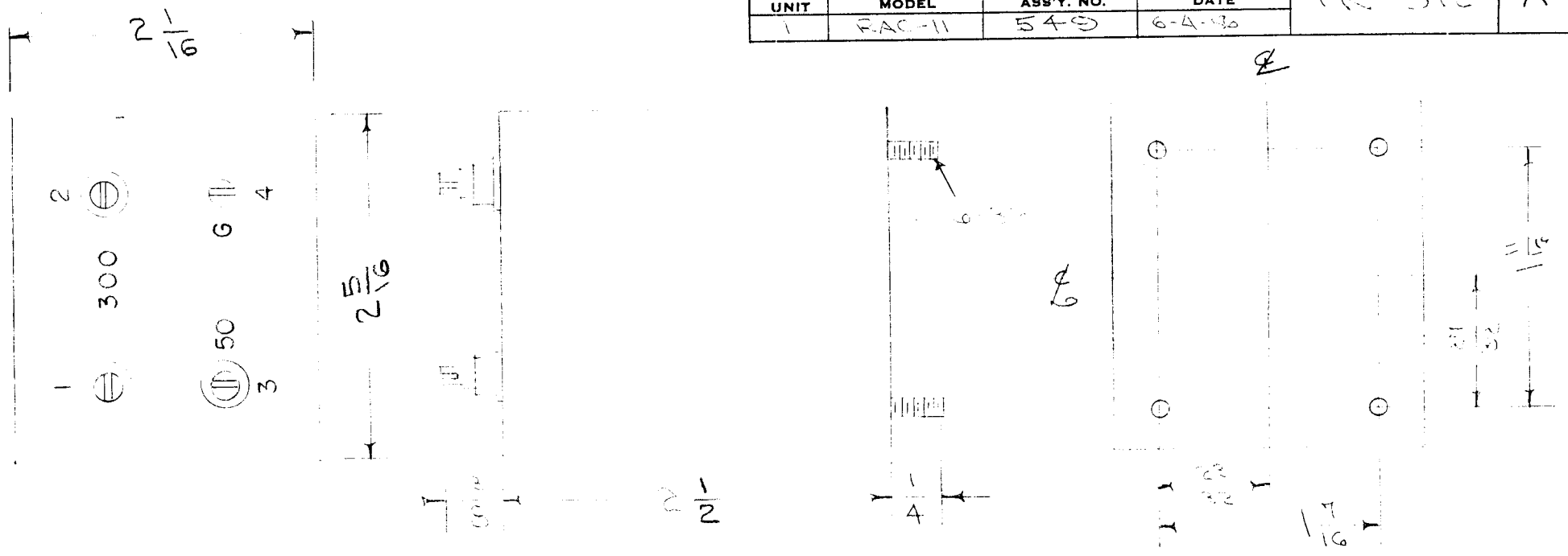
SCALE #

DRILL, PUNCH, COMMERCIAL STOCK  
SIZES AND MANUFACTURERS  
TOLERANCES ARE NOT INCLUDED.

ALL OTHERS  
DEC. DIM. ±  
FRAC. DIM. ±  
ANGULAR DIM. ±



REQ. PER UNIT	USED ON			TR-012	A
	MODEL	ASS'Y. NO.	DATE		
1	RAC-11	549	6-4-56		



CASE - STEEL  
 STUDS - G-32 X 1/4 LENS  
 COLOR - GRAY

500 Ω UNBAL. BAL. 300 Ω BAL. 2 TO 30 MENS

ISSUE	ITEM	CHANGED FROM	DATE	CH. NO.	DRAFTS	CHECKER	ENG. APP.	REQ. ITEM	PART NO.	DESCRIPTION	SYMBOL	
									BX-106	THE TECHNICAL MATERIEL CORP. MAMARONECK, NEW YORK	TRANSFORMER, RF 500 Ω UNBAL / 300 Ω BAL.	
									STOCK SIZE			
									MATERIAL			
A	1	DIM. CHGD FROM 2.012 X 2.240 X 2-1/4 TO 2-1/16 X 2-5/16 X 2-1/2 - BX-106	1/9/58	1	10	Halle	AK					
TOLERANCES			SCALE:		4A-1320					CD 9/16/56		
DEC. DIM. ± FRAC. DIM. ± ANGULAR DIM. ±			MAXIMUM ALLOWABLE TOLERANCES HAVE BEEN DETERMINED AND ANY DEVIATIONS WILL BE CAUSE FOR REJECTION. REMOVE ALL BURRS AND SHARP EDGES								AK	
										WIC		
											TR-012	
											A	

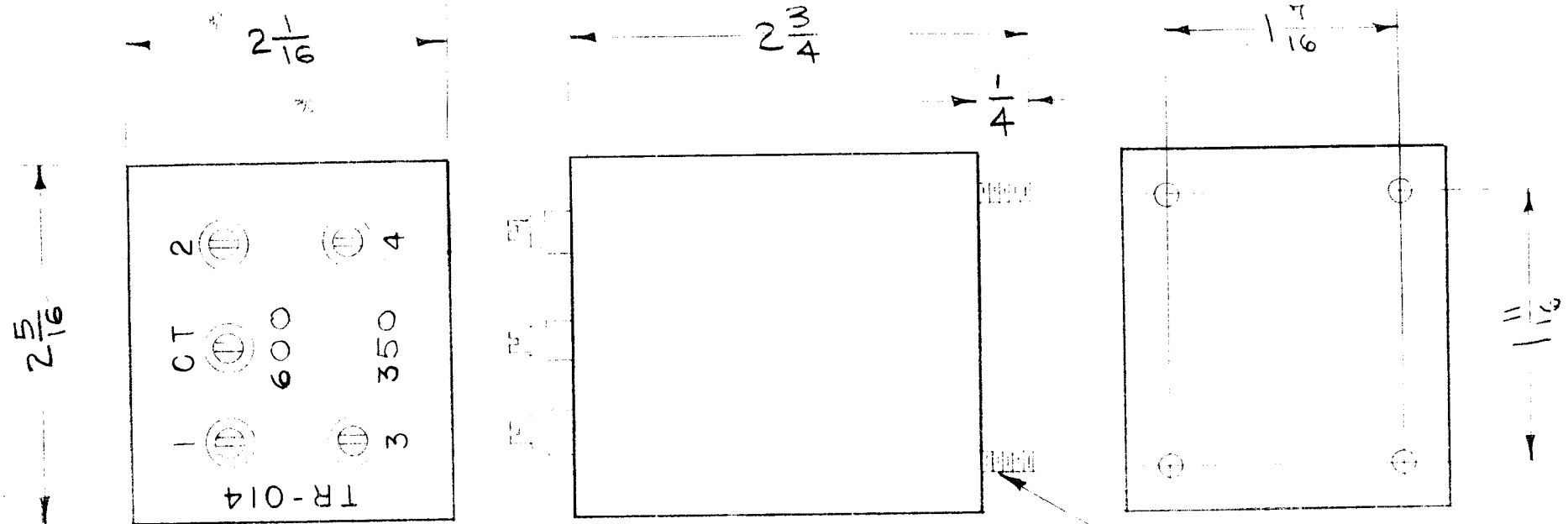
IF IT IS FOUND DESIRABLE TO CHANGE ANY TOLERANCE OR OTHER DETAIL SPECIFIED ON THIS DRAWING NOTIFY THE PURCHASER PROMPTLY.

TR-014 B

MAXIMUM ALLOWABLE TOLERANCES HAVE BEEN DETERMINED AND DEVIATIONS WILL BE CAUSE FOR REJECTION. REMOVE ALL BURRS AND SHARP EDGES

USED ON

MODEL	PROJECT NO.	ASS'Y. NO.	DATE
BAC-1-S-20	108	A-110	7-15-22



6-32 STUDS

SPECIFICATIONS:  
CASE: STEEL  
FILLER: COMPOUND  
FINISH: GREY  
TERMINALS: CERAMIC

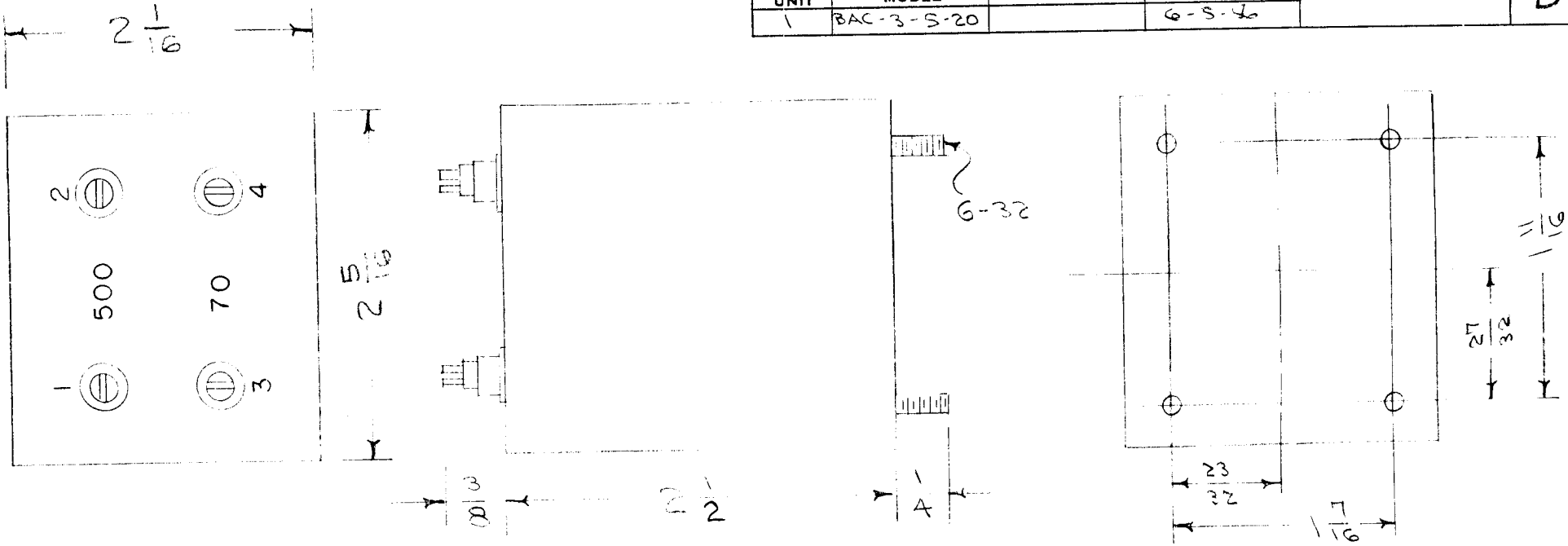
REQ.	ITEM	PART NO.	DESCRIPTION	SYMBOL
			THE TECHNICAL MATERIEL CORP. MAMARONECK, NEW YORK	
		STOCK SIZE	TRANSFORMER, R. F.	
		MATERIAL	20-200 K.C.	
		WEIGHT PER PC.		
		TYPE & TEMPER	C.D.D. 8-21-53	
		HEAT TREAT. SPEC.		
		FINISH & SPEC. NO.		

ISSUE	ITEM	CHANGED FROM	DATE	CN. NO.	DRAFTS	CHECKER	ENG. APP.
B	1	DIM. CHG'D. FROM 2.012 X 2.240 TO 2-1/16 X 2-5/16 AS PER BX-112	1/9/58	2	16	JAD	PJB
A	1	REDRAWN - CASE CHGD.	8-21-53	1	C.D.D.	JAD	PJB

TOLERANCES		SCALE
ALL OTHERS	DEC. DIM. ± FRAC. DIM. ± ANGULAR DIM. ±	DRILL, PUNCH, COMMERCIAL STOCK SIZES AND MANUFACTURERS TOLERANCES ARE NOT INCLUDED.

DRAWN	ELEC. DES. APP.	MECH. DES. APP.
JAD	PJB	
CHECKED	FINAL APPROVAL	
2A-483	TR-014	B

REQ. PER UNIT	USED ON			TR-013	B
	MODEL	ASS'Y. NO.	DATE		
1	BAC-3-S-20		6-5-46		



CASE - STEEL  
 STUDS - 6-32 X 1/4 LONG  
 COLOR - GRAY.

70Ω BALANCED  
 500Ω UNBALANCED  
 2-30 MEGACYCLES

REQ.	ITEM	PART NO.	DESCRIPTION				SYMBOL
			<b>THE TECHNICAL MATERIEL CORP.</b> MAMARONECK, NEW YORK				
B	1		STOCK SIZE				
A	1		MATERIAL				
			TYPE & TEMPER HEAT TREAT. SPEC.				
			FINISH & SPEC. NO.				
			DRAWN CHECKED FINAL APPROVAL				
			ELEC. DES. APP. MECH. DES. APP.				

ISSUE	ITEM	CHANGED FROM	DATE	CH. NO.	DRAFTS	CHECKER	ENG. APP.
B	1	DIM. CHGD FROM 2.012 X 2.240 TO 2-1/16 X 2-5/16 (BX-106)	1/9/58	2	16	FAW	AW
A	1	REDRAWN COMPLETE REVISION	9/1/46	1	000	FAW	AW
TOLERANCES			SCALE:		2A-663		
DEC. DIM. ± FRAC. DIM. ± ANGULAR DIM. ±			MAXIMUM ALLOWABLE TOLERANCES HAVE BEEN DETERMINED AND ANY DEVIATIONS WILL BE CAUSE FOR REJECTION. REMOVE ALL BURRS AND SHARP EDGES				







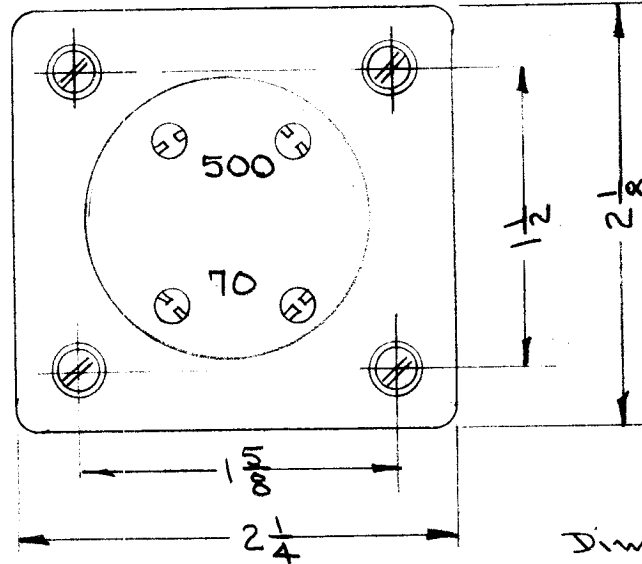
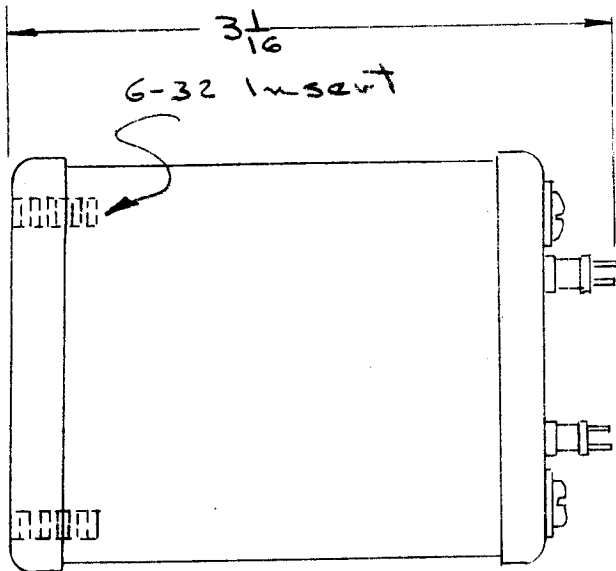
IF IT IS FOUND DESIRABLE TO CHANGE ANY TOLERANCE OR OTHER DETAIL SPECIFIED ON THIS DRAWING NOTIFY THE PURCHASER PROMPTLY.

TR-018

MAXIMUM ALLOWABLE TOLERANCES HAVE BEEN DETERMINED AND DEVIATIONS WILL BE CAUSE FOR REJECTION. REMOVE ALL BURRS AND SHARP EDGES

USED ON

MODEL	PROJECT NO.	ASS'Y. NO.	DATE
BAC-3-S-506	153	A-137	9-6-52



Dimension For Ref. Only

### SPECIFICATION

1. Case - Steel
2. Terminal Bd Phenolic
3. Filler - Pitch

REQ.	ITEM	PART NO.	DESCRIPTION	SYMBOL
			THE TECHNICAL MATERIEL CORP. MAMARONECK, NEW YORK	
		STOCK SIZE	TRANSFORMER R.F.	
		MATERIAL	500 KC-2 MC	
		WEIGHT PER PC.		
		TYPE & TEMPER		
		HEAT TREAT. SPEC.		
		FINISH & SPEC. NO.		

ISSUE	ITEM	CHANGED FROM	DATE	CN. NO.	DRAFTS	CHECKER	ENG. APP.
TOLERANCES				SCALE			
ALL OTHERS				DRILL, PUNCH, COMMERCIAL STOCK SIZES AND MANUFACTURERS TOLERANCES ARE NOT INCLUDED.			
DEC. DIM. ±		FRAC. DIM. ±		ANGULAR DIM. ±			

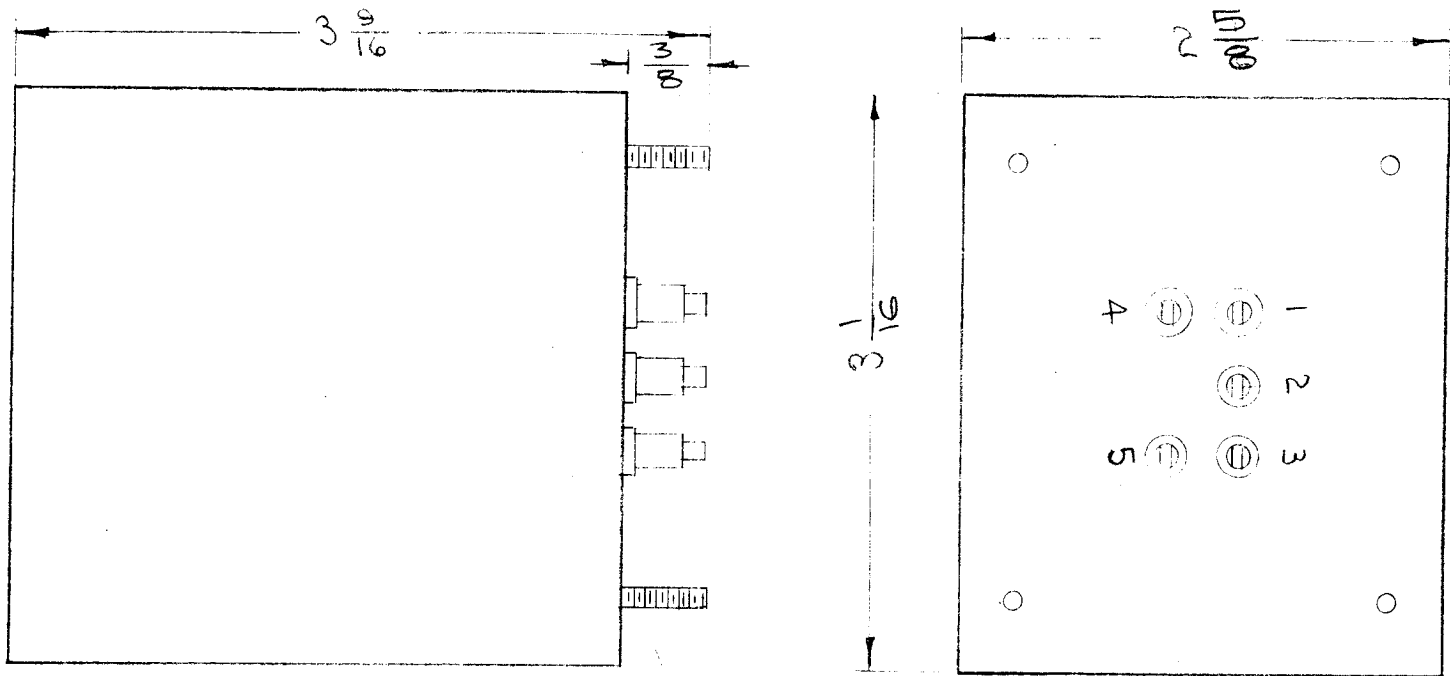
DRAWN	ELEC. DES. APP.	MECH. DES. APP.
9-6-52		9/6/52
CHECKED	FINAL APPROVAL	
9-6-52		
1A-665	TR-018	

IF IT IS FOUND DESIRABLE TO CHANGE ANY TOLERANCE OR OTHER DETAIL SPECIFIED ON THIS DRAWING NOTIFY THE PURCHASER PROMPTLY.

TR-019 A

MAXIMUM ALLOWABLE TOLERANCES HAVE BEEN DETERMINED AND DEVIATIONS WILL BE CAUSE FOR REJECTION. REMOVE ALL BURRS AND SHARP EDGES

USED ON			
MODEL	PROJECT NO.	ASS'Y. NO.	DATE
LFA	109	A-149	10-21-52



DIMENSIONS FOR REFERENCE ONLY

MECHANICAL SPECIFICATIONS:

1. CASE - STEEL
2. TERMINALS - CERAMIC
3. FILLER - COMPOUND
4. FINISH - GREY
5. STUDS - 8-32 X 3/8

REQ.	ITEM	PART NO.	DESCRIPTION	SYMBOL
			<b>THE TECHNICAL MATERIEL CORP.</b> MAMARONECK, NEW YORK	
			TRANSFORMER, R.F.	
			OUT PUT	
			C.D.D. 9-18-52	A.J.J. <i>am</i>
			DRAWN	ELEC. DES. APP. MECH. DES. APP.
			M.H.S.	<i>am</i>
			CHECKED	FINAL APPROVAL
			4A-149	TR-019 A

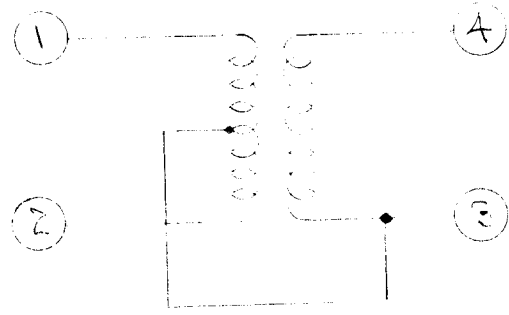
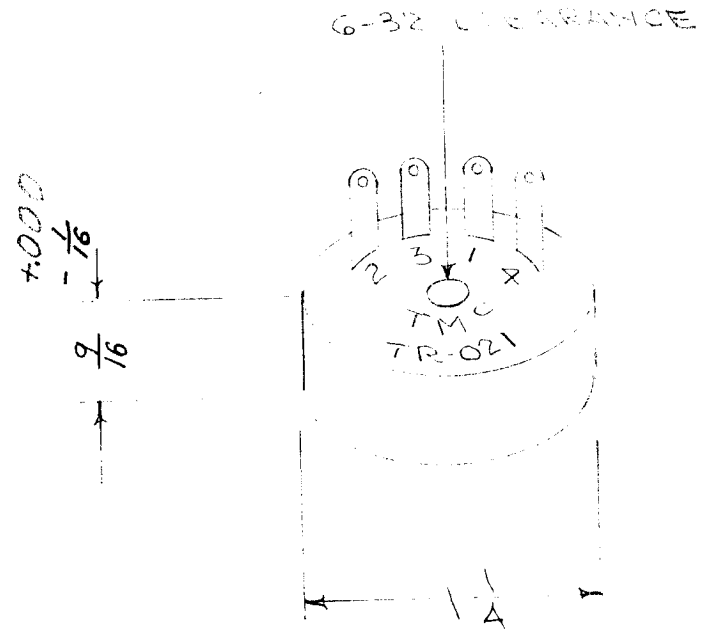
A	1	DIM. CHGD. FROM 3 X 2 1/2 TO 3-1/16 X 2-5/8 AS PER A-148 (BX-100-12)	1/9/52	1	16	J.H.S.	<i>am</i>
ISSUE	ITEM	CHANGED FROM	DATE	CN. NO.	DRAFTS	CHECKER	ENG. APP.
TOLERANCES			SCALE				
ALL OTHERS	DEC. DIM. ± FRAC. DIM. ± ANGULAR DIM. ±		DRILL, PUNCH, COMMERCIAL STOCK SIZES AND MANUFACTURERS TOLERANCES ARE NOT INCLUDED.				

IF IT IS FOUND DESIRABLE TO CHANGE ANY TOLERANCE OR OTHER DETAIL SPECIFIED ON THIS DRAWING NOTIFY THE PURCHASER PROMPTLY.

MAXIMUM ALLOWABLE TOLERANCES HAVE BEEN DETERMINED AND DEVIATIONS WILL BE CAUSE FOR REJECTION. REMOVE ALL BURRS AND SHARP EDGES

TR-021 A

REQ. PER UNIT	USED ON			
	MODEL	PROJECT NO.	ASS'Y. NO.	DATE
				7-29-55



PRIMARY  
 1-3 75 Ω UNBAL.  
 2-3 75 Ω " "  
 1-2 300 Ω BAL.  
 SECONDARY  
 2-4 300 Ω UNBAL.  
 FREQ. RANGE 2-30 M.C.

DIMENSIONS FOR REFERENCE ONLY

ELASTIC CASE

REQ. ITEM	PART NO.	DESCRIPTION	SYMBOL
		THE TECHNICAL MATERIEL CORP. MAMARONECK. NEW YORK	
STOCK SIZE		TRANSFORMER	
MATERIAL		ANTENNA MATCHING	
WEIGHT PER PC.			
TYPE & TEMPER		CD 7-29-55	
HEAT TREAT. SPEC.		DRAWN	ELEC. DES. APP. MECH. DES. APP.
FINISH & SPEC. NO.		CHECKED	FINAL APPROVAL
		24-165	TR-021 A

ISSUE	ITEM	CHANGED FROM	DATE	CN. NO.	DRAFTS	CHECKER	ENG. APP.
A	1	COMPLETE REVISION	7/29/55	1	chd	fr. de amp	

TOLERANCES		SCALE
ALL OTHERS	DEC. DIM. ± FRAC. DIM. ± ANGULAR DIM. ±	DRILL, PUNCH, COMMERCIAL STOCK SIZES AND MANUFACTURERS TOLERANCES ARE NOT INCLUDED.

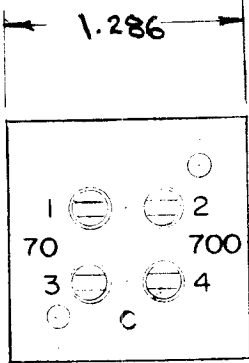
IF IT IS FOUND DESIRABLE TO CHANGE ANY TOLERANCE OR OTHER DETAIL SPECIFIED ON THIS DRAWING NOTIFY THE PURCHASER PROMPTLY.

TR-022 A

MAXIMUM ALLOWABLE TOLERANCES HAVE BEEN DETERMINED AND DEVIATIONS WILL BE CAUSE FOR REJECTION. REMOVE ALL BURRS AND SHARP EDGES

USED ON

MODEL	PROJECT NO.	ASS'Y. NO.	DATE
AMC-G	149		3-5-53

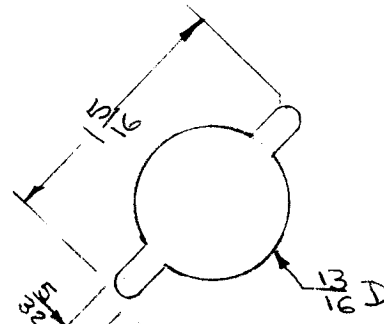
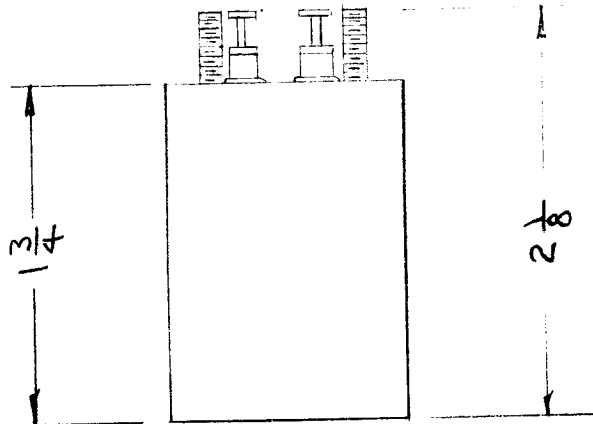


MECHANICAL SPECIFICATIONS

1. Case: Steel.
2. Terminals: Ceramic.
3. Filler: Compound.
4. Finish: Grey.
5. Studs: #32 x 3/8.

ELECTRICAL SPECIFICATIONS

1. Impedance  
70 Ω unbalanced / 700 Ω unbalanced
2. Frequency response.  
2 to 30 mc. ± 3 dB.



DRILLING PLAN

TMC  
TR022

REQ.	ITEM	PART NO.	DESCRIPTION	SYMBOL
			<b>THE TECHNICAL MATERIEL CORP.</b> MAMARONECK. NEW YORK	
STOCK SIZE			ANTENNA MATCHING	
MATERIAL			TRANSFORMER	
WEIGHT PER PC.				
TYPE & TEMPER			JAD 3-6-53 ARB	
HEAT TREAT. SPEC.			DRAWN ELEC. DES. APP. MECH. DES. APP.	
FINISH & SPEC. NO.			CHECKED FINAL APPROVAL	
			2A-428 TR-022 A	

A	1	STAMPING ADDED	5/8/53	1	JAD	ARB	PPK
ISSUE	ITEM	CHANGED FROM	DATE	CN. NO.	DRAFTS	CHECKER	ENG. APP.

TOLERANCES		SCALE
ALL OTHERS	DEC. DIM. ± FRAC. DIM. ± ANGULAR DIM. ±	DRILL, PUNCH, COMMERCIAL STOCK SIZES AND MANUFACTURERS TOLERANCES ARE NOT INCLUDED.

IF IT IS FOUND DESIRABLE TO CHANGE ANY TOLERANCE OR OTHER DETAIL SPECIFIED ON THIS DRAWING NOTIFY THE PURCHASER PROMPTLY.

TR-024

MAXIMUM ALLOWABLE TOLERANCES HAVE BEEN DETERMINED AND DEVIATIONS WILL BE CAUSE FOR REJECTION. REMOVE ALL BURRS AND SHARP EDGES

USED ON

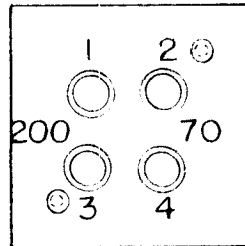
MODEL

PROJECT NO.

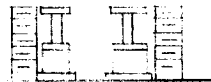
ASS'Y. NO.

DATE

1.286

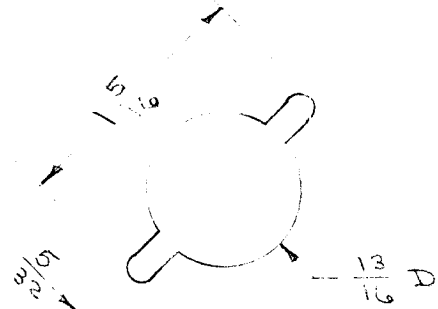
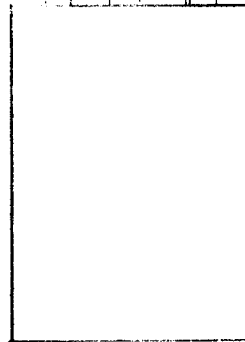


1.286



2.16

1.34



DRILLING PLAN

MECHANICAL SPECIFICATIONS-

1. CASE - STEEL
2. TERMINALS - CERAMIC
3. FILLER - COMPOUND
4. FINISH - GREY
5. STUDS - 6-32 X 3/8

ELECTRICAL SPECIFICATIONS

1. INPUT 1-3 200 Z UNBAL.  
OUTPUT 2-4 70 Z UNBAL.
2. FREQUENCY RESPONSE  
2-30 mc. ± 3 db.

TMC  
TR 024

REQ.	ITEM	PART NO.	DESCRIPTION	SYMBOL
-----#-----			THE TECHNICAL MATERIEL CORP. MAMARONECK. NEW YORK	
STOCK SIZE				
-----#-----		-----#-----	TRANSFORMER	
MATERIAL		WEIGHT PER PC.	ANTENNA MATCHING	
-----#-----			C.D.D. 5-20-53	21.2
TYPE & TEMPER			DRAWN	ELEC. DES. APP.
-----#-----			MECH. DES. APP.	
HEAT TREAT. SPEC.			FINAL APPROVAL	
-----#-----			CHECKED	
FINISH & SPEC. NO.			2A-469	TR-024

ISSUE	ITEM	CHANGED FROM	DATE	CN. NO.	DRAFTS	CHECKER	ENG. APP.

TOLERANCES		SCALE
ALL OTHERS	DEC. DIM. ± FRAC. DIM. ± ANGULAR DIM. ±	DRILL, PUNCH, COMMERCIAL STOCK SIZES AND MANUFACTURERS TOLERANCES ARE NOT INCLUDED.

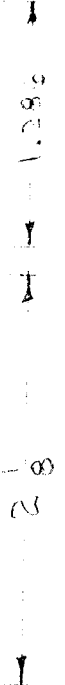
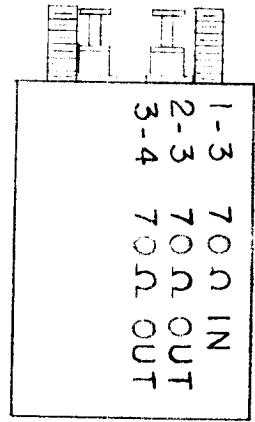
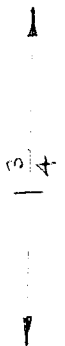
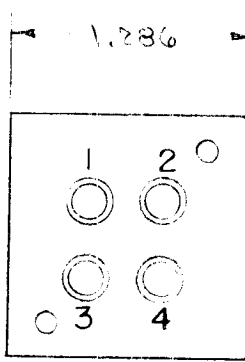
IF IT IS FOUND DESIRABLE TO CHANGE ANY TOLERANCE OR OTHER DETAIL SPECIFIED ON THIS DRAWING NOTIFY THE PURCHASER PROMPTLY.

TR-026

MAXIMUM ALLOWABLE TOLERANCES HAVE BEEN DETERMINED AND DEVIATIONS WILL BE CAUSE FOR REJECTION. REMOVE ALL BURRS AND SHARP EDGES

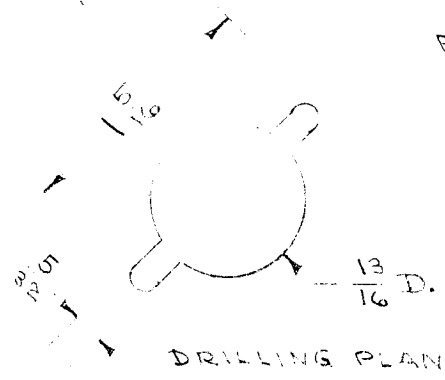
USED ON

MODEL	PROJECT NO.	ASS'Y. NO.	DATE



MECHANICAL SPECIFICATIONS:-  
 1. CASE - STEEL  
 2. TERMINALS - CERAMIC  
 3. FILLER - COMPOUND  
 4. FINISH - GREY  
 5. STUDS - 6-32 x 3/8

ELECTRICAL SPECIFICATIONS:-  
 1-3 70Ω IN. UNBALANCED  
 2-3 70Ω OUT. BALANCED  
 3-4 70Ω OUT. BALANCED  
 FREQUENCY RANGE -  
 2-30 MC ± 3 db.



TMC  
TR 026

REQ.	ITEM	PART NO.	DESCRIPTION	SYMBOL
-----#-----			THE TECHNICAL MATERIEL CORP. MAMARONECK, NEW YORK	
STOCK SIZE				
-----#-----		- # -	TRANSFORMER	
MATERIAL		WEIGHT PER PC.	ANTENNA MATCHING	
-----#-----			C.D.D. S. 21-52	
TYPE & TEMPER			ARB	
-----#-----			DRAWN	ELEC. DES. APP. MECH. DES. APP.
HEAT TREAT. SPEC.			W.D.	ARB
-----#-----			CHECKED	FINAL APPROVAL
FINISH & SPEC. NO.			2A-470	TR-026

ISSUE	ITEM	CHANGED FROM	DATE	CN. NO.	DRAFTS	CHECKER	ENG. APP.
TOLERANCES							
ALL OTHERS			SCALE				
DEC. DIM. ±			DRILL, PUNCH, COMMERCIAL STOCK SIZES AND MANUFACTURERS TOLERANCES ARE NOT INCLUDED.				
FRAC. DIM. ±							
ANGULAR DIM. ±							

IF IT IS FOUND DESIRABLE TO CHANGE ANY TOLERANCE OR OTHER DETAIL SPECIFIED ON THIS DRAWING NOTIFY THE PURCHASER PROMPTLY.

TR-027

MAXIMUM ALLOWABLE TOLERANCES HAVE BEEN DETERMINED AND DEVIATIONS WILL BE CAUSE FOR REJECTION. REMOVE ALL BURRS AND SHARP EDGES

USED ON

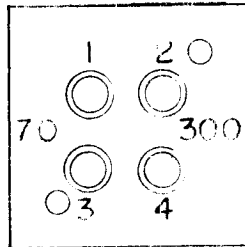
MODEL

PROJECT NO.

ASS'Y. NO.

DATE

1.286

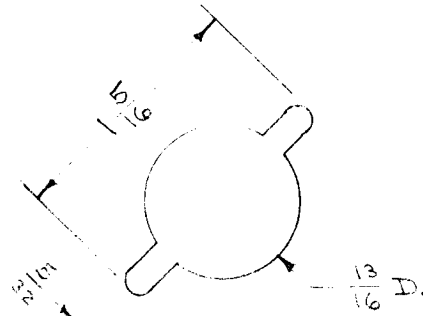
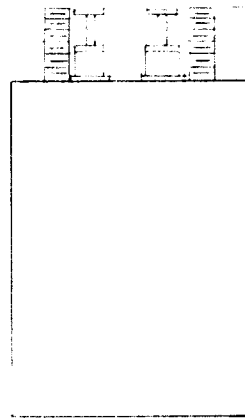


1.286

Y

2.00

1.286



DRAWING PLAN

MECHANICAL SPECIFICATIONS:

1. CASE - STEEL
2. TERMINALS - CERAMIC
3. FILLER - COMPOUND
4. FINISH - GRAY
5. STUDS - 6-32 X 3/8

ELECTRICAL SPECIFICATIONS:

1. INPUT 1-3 70% UNBALANCED  
OUTPUT 2-4 80% BALANCED
2. FREQUENCY RESPONSE -  
2-30 mc. ± 3 db.

TMC  
TR027

REQ.	ITEM	PART NO.	DESCRIPTION	SYMBOL
			<b>THE TECHNICAL MATERIEL CORP.</b>	
			MAMARONECK, NEW YORK	
		STOCK SIZE	TRANSFORMER	
		MATERIAL	ANTENNA MATCHING	
		WEIGHT PER PC.		
		TYPE & TEMPER	C.D.D. 5-14-53	2RB
			DRAWN	ELEC. DES. APP. MECH. DES. APP.
		HEAT TREAT. SPEC.	CHECKED	FINAL APPROVAL
		FINISH & SPEC. NO.	2A-466	TR-027

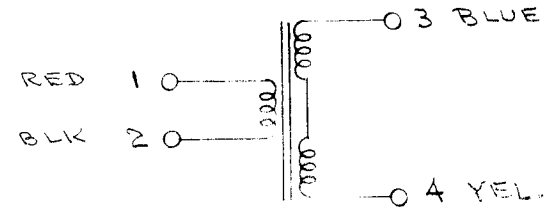
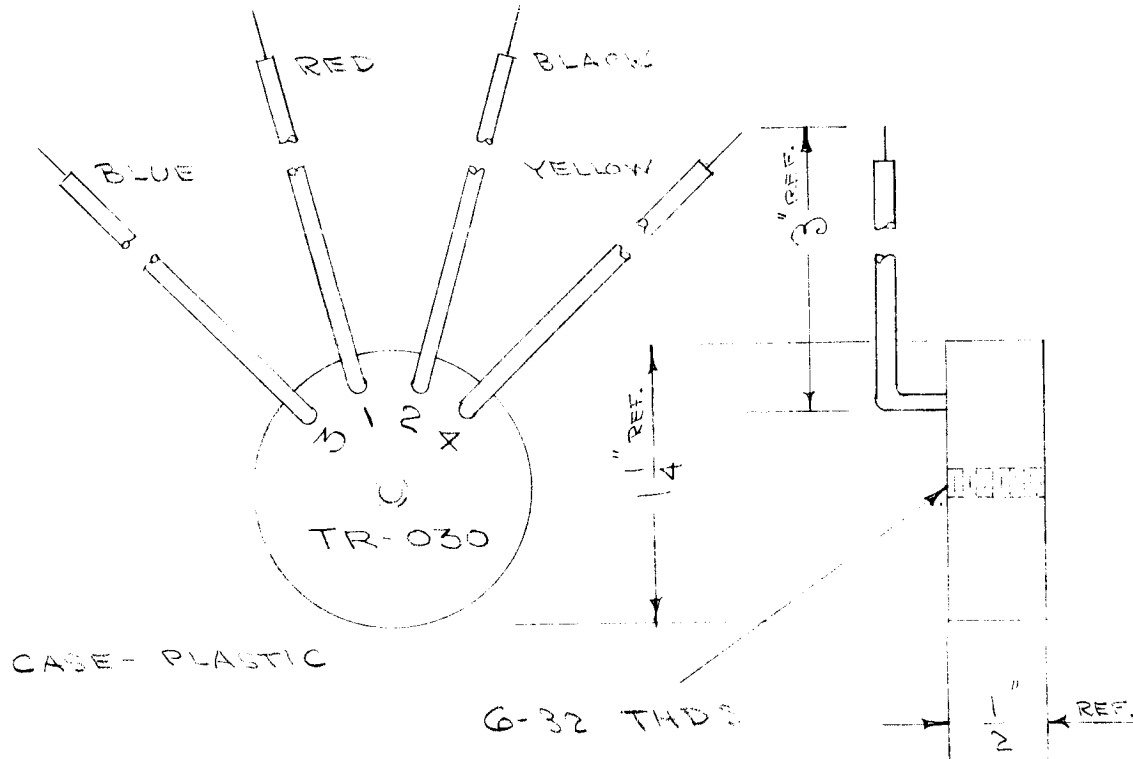
ISSUE	ITEM	CHANGED FROM	DATE	CN. NO.	DRAFTS	CHECKER	ENG. APP.
TOLERANCES			SCALE				
ALL OTHERS	DEC. DIM. ±	FRAC. DIM. ±	DRILL, PUNCH, COMMERCIAL STOCK SIZES AND MANUFACTURERS TOLERANCES ARE NOT INCLUDED.				
	ANGULAR DIM. ±						

IF IT IS FOUND DESIRABLE TO CHANGE ANY TOLERANCE OR OTHER DETAIL SPECIFIED ON THIS DRAWING NOTIFY THE PURCHASER PROMPTLY.

TR-030

MAXIMUM ALLOWABLE TOLERANCES HAVE BEEN DETERMINED AND DEVIATIONS WILL BE CAUSE FOR REJECTION. REMOVE ALL BURRS AND SHARP EDGES

REQ. PER UNIT	USED ON			
	MODEL	PROJECT NO.	ASS'Y. NO.	DATE
1	DAC			5-4-55
1	DAC-1		A-455	5-4-55



PRIMARY 1-2 70Ω UNBALANCED  
 SEC 3-4 70Ω BALANCED  
 2-22 MC.

CASE - PLASTIC

G-32 THDS

REQ.	ITEM	PART NO.	DESCRIPTION	SYMBOL
		//	THE TECHNICAL MATERIEL CORP.	
		STOCK SIZE	MAMARONECK. NEW YORK	
		//	TRANSFORMER	
		MATERIAL	ANTENNA COUPLING	
		WEIGHT PER PC.	CDD. 5-4-55	
		TYPE & TEMPER	DRAWN	ELEC. DES. APP. MECH. DES. APP.
		//	FAWe	AMB
		HEAT TREAT. SPEC.	CHECKED	FINAL APPROVAL
		//	4A-457	TR-030
		FINISH & SPEC. NO.		

ISSUE	ITEM	CHANGED FROM	DATE	CN. NO.	DRAFTS	CHECKER	ENG. APP.
		TOLERANCES					
		SCALE					
ALL OTHERS		DEC. DIM. ± FRAC. DIM. ± ANGULAR DIM. ±					DRILL, PUNCH, COMMERCIAL STOCK SIZES AND MANUFACTURERS TOLERANCES ARE NOT INCLUDED.



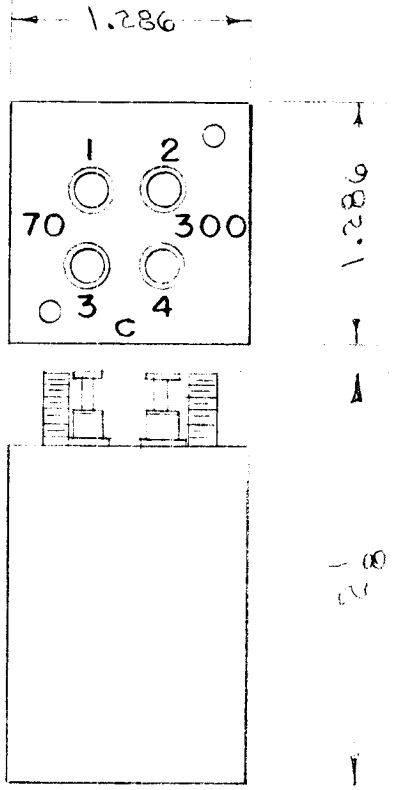
IF IT IS FOUND DESIRABLE TO CHANGE ANY TOLERANCE OR OTHER DETAIL SPECIFIED ON THIS DRAWING NOTIFY THE PURCHASER PROMPTLY.

TR-031

MAXIMUM ALLOWABLE TOLERANCES HAVE BEEN DETERMINED AND DEVIATIONS WILL BE CAUSE FOR REJECTION. REMOVE ALL BURRS AND SHARP EDGES

USED ON

MODEL	PROJECT NO.	ASS'Y. NO.	DATE

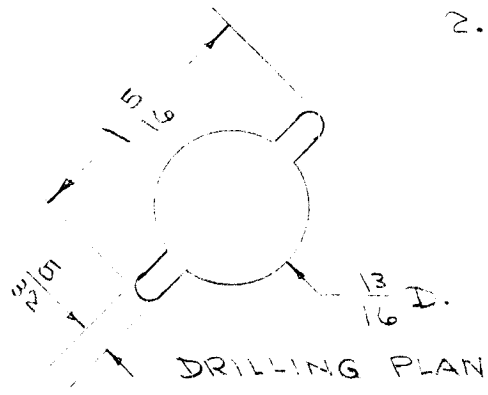


MECHANICAL SPECIFICATIONS-

1. CASE - STEEL
2. TERMINALS - CERAMIC
3. FILLER - COMPOUND
4. FINISH - GREY
5. STUDS - 6-32 X 3/8

ELECTRICAL SPECIFICATIONS-

1. INPUT - 1-3 70 Ω UNBALANCED  
OUTPUT - 2-4 300 Ω UNBALANCED
2. FREQUENCY RESPONSE -  
2-30 mc. ± 3 db.



TMC  
TR 031

REQ.	ITEM	PART NO.	DESCRIPTION	SYMBOL
#			THE TECHNICAL MATERIEL CORP. MAMARONECK, NEW YORK	
STOCK SIZE			TRANSFORMER	
MATERIAL		WEIGHT PER PC.	ANTENNA MATCHING	
TYPE & TEMPER			C.D.D. 5-22-53	ARB
DRAWN		ELEC. DES. APP.	MECH. DES. APP.	
HEAT TREAT. SPEC.		FINAL APPROVAL		
FINISH & SPEC. NO.		2A-473	TR-031	

ISSUE	ITEM	CHANGED FROM	DATE	CN. NO.	DRAFTS	CHECKER	ENG. APP.
TOLERANCES		SCALE					
ALL OTHERS	DEC. DIM. ± FRAC. DIM. ± ANGULAR DIM. ±	DRILL, PUNCH, COMMERCIAL STOCK SIZES AND MANUFACTURERS TOLERANCES ARE NOT INCLUDED.					

IF IT IS FOUND DESIRABLE TO CHANGE ANY TOLERANCE OR OTHER DETAIL SPECIFIED ON THIS DRAWING NOTIFY THE PURCHASER PROMPTLY.

TR-032 B

MAXIMUM ALLOWABLE TOLERANCES HAVE BEEN DETERMINED AND DEVIATIONS WILL BE CAUSE FOR REJECTION. REMOVE ALL BURRS AND SHARP EDGES

REQ. PER UNIT

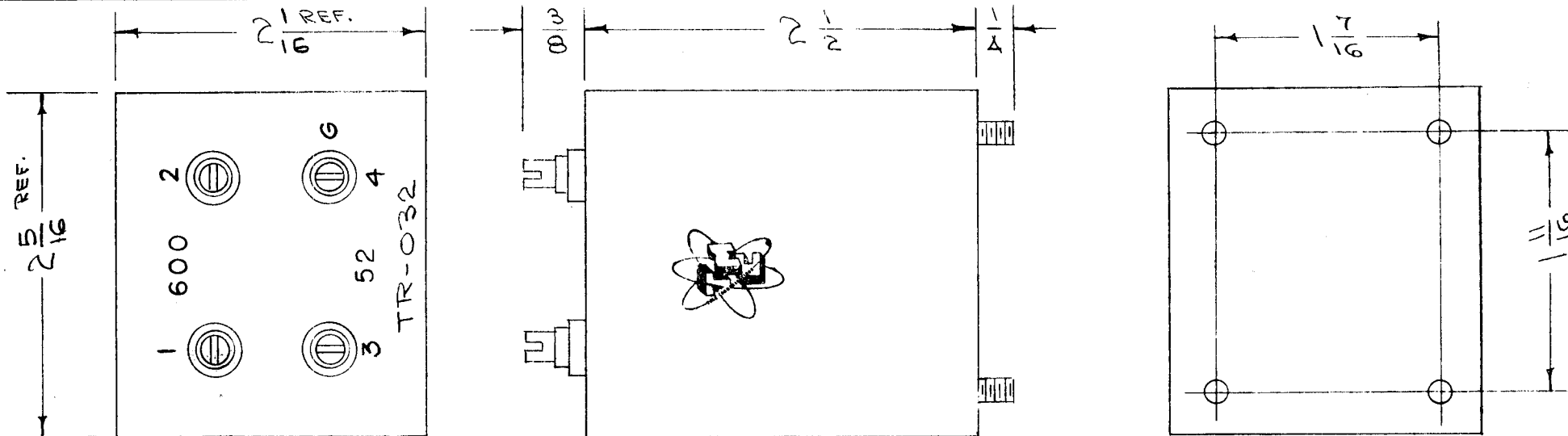
USED ON

MODEL

PROJECT NO.

ASS'Y. NO.

DATE



ELECTRICAL SPECIFICATIONS  
 INPUT 1-2 600 Ω BALANCED  
 OUTPUT 3-4 52 Ω UNBALANCED

2-32 MC.

MECHANICAL SPECIFICATIONS  
 CASE - STEEL  
 COLOR - GRAY  
 FILLER - COMPOUND  
 STUDS - 6-32 X 1/4

B	1	TERM NOS RELOCATED	11/2/66	5526	HYV.	JCB	MM
A	1	DIM. CHG'D FROM 2 X 2-1/4 TO 2-1/16 X 2-5/16 AS PER BX-106	1/9/58	1	H6	JCB	MM
ISSUE	ITEM	CHANGED FROM	DATE	CN. NO.	DRAFTS	CHECKER	ENG. APP.
TOLERANCES			SCALE				
ALL OTHERS			DEC. DIM. ± FRAC. DIM. ± ANGULAR DIM. ±				
			DRILL, PUNCH, COMMERCIAL STOCK SIZES AND MANUFACTURERS TOLERANCES ARE NOT INCLUDED.				

REQ.	ITEM	PART NO.	DESCRIPTION	SYMBOL
//			THE TECHNICAL MATERIEL CORP.	
STOCK SIZE			MAMARONECK, NEW YORK	
//			TRANSFORMER	
MATERIAL			ANTENNA MATCHING	
//			CDD. 5-4-55	
TYPE & TEMPER			DRAWN	
//			ELEC. DES. APP.	
HEAT TREAT. SPEC.			MECH. DES. APP.	
//			CHECKED	
FINISH & SPEC. NO.			FINAL APPROVAL	
			2A-492	
			TR-032 B	

IF IT IS FOUND DESIRABLE TO CHANGE ANY TOLERANCE OR OTHER DETAIL SPECIFIED ON THIS DRAWING NOTIFY THE PURCHASER PROMPTLY.

TR-033

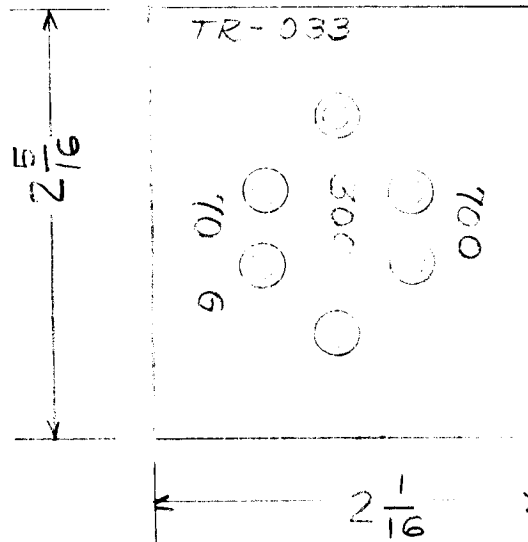
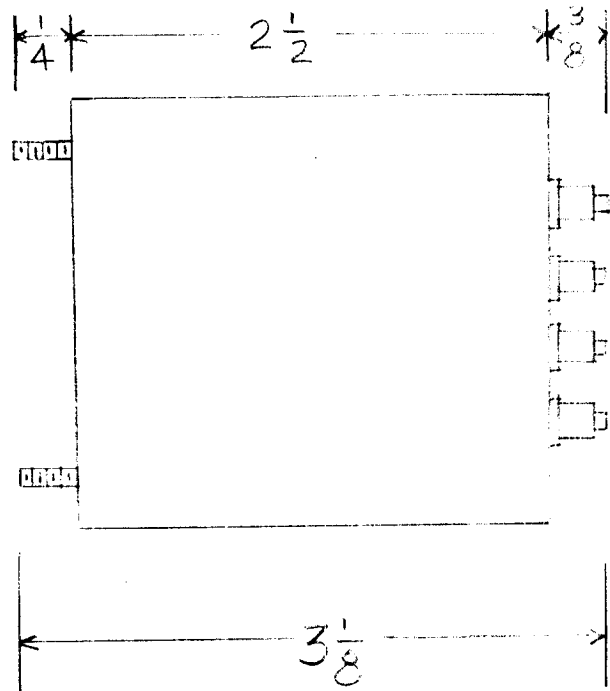
A

MAXIMUM ALLOWABLE TOLERANCES HAVE BEEN DETERMINED AND DEVIATIONS WILL BE CAUSE FOR REJECTION. REMOVE ALL BURRS AND SHARP EDGES

USED ON

MODEL	PROJECT NO.	ASS'Y. NO.	DATE
-------	-------------	------------	------

RBT



Mechanical Specifications

1. Case, steel
2. Terminals, Ceramic
3. Filler, compound
4. Finish, grey
5. Studs, 6-32x1/4 lg., on 1 7/16" x 1 11/16" mounting centers.

Electrical Specifications

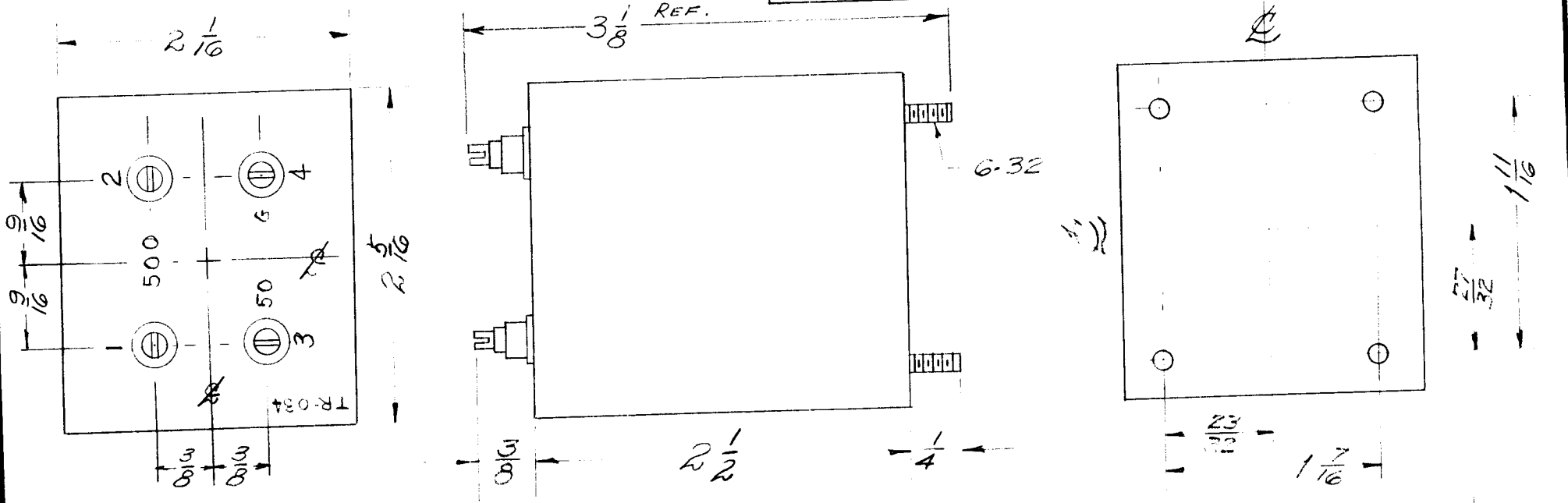
1. Impedance:  
70 ohm unbalanced to either  
300 ohm balanced or  
700 ohm balanced.
2. Response  
3db from 2-30 mc.  
5db from 2-54 mc.

REQ.	ITEM	PART NO.	DESCRIPTION	SYMBOL
			<b>THE TECHNICAL MATERIEL CORP.</b> MAMARONECK, NEW YORK	
		STOCK SIZE	TRANSFORMER, RF.	
		MATERIAL	2-54 MC.	
		WEIGHT PER PC.		
		TYPE & TEMPER	PJB	
		HEAT TREAT. SPEC.	DRAWN	ELEC. DES. APP. MECH. DES. APP.
		FINISH & SPEC. NO.	CHECKED	FINAL APPROVAL
			2A-513	TR-033

A	1	DIM. CHG'D. FROM 2 X 2-1/4 TO 2-1/16 X 2-5/16 AS PER BX-100-8	1/15/58	1	G	J. H. De	J. H. De
ISSUE	ITEM	CHANGED FROM	DATE	CN. NO.	DRAFTS	CHECKER	ENG. APP.
TOLERANCES			SCALE				
ALL OTHERS		DEC. DIM. ± FRAC. DIM. ± ANGULAR DIM. ±	DRILL, PUNCH, COMMERCIAL STOCK SIZES AND MANUFACTURERS TOLERANCES ARE NOT INCLUDED.				

REQ. PER UNIT	USED ON		
	MODEL	ASS'Y. NO.	DATE
1	RAC-9		9.26.57

TR-034

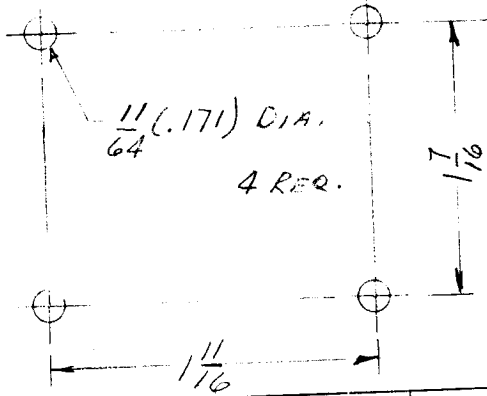


MECHANICAL SPECIFICATIONS:

1. CASE - - - STEEL
2. TERMINALS - STEATITE
3. FINISH - SMOOTH GRAY ENAMEL
4. STUDS - 6-32 x 1/4
5. FILLER - COMPOUND

ELECTRICAL SPECIFICATIONS:

1. INPUT - 50 Ω UNBALANCED
2. OUTPUT - 500 Ω UNBALANCED
3. FREQUENCY RESPONSE - 2-30 MC ± 2 DB.



DRILLING

						REQ. ITEM	PART NO.	DESCRIPTION	SYMBOL		
							—  —	THE TECHNICAL MATERIEL CORP. MAMARONECK, NEW YORK	TRANSFORMER, R.F.		
							STOCK SIZE				
							MATERIAL				
ISSUE	ITEM	CHANGED FROM	DATE	CH. NO.	DRAFTS	CHECKER	ENG. APP.	E. 9-26-57			
TOLERANCES			SCALE: 4A-1565							TYPE & TEMPER	CHECKED
DEC. DIM. ±			MAXIMUM ALLOWABLE TOLERANCES HAVE BEEN DETERMINED AND ANY DEVIATIONS WILL BE CAUSE FOR REJECTION. REMOVE ALL BURRS AND SHARP EDGES					HEAT TREAT. SPEC.	DRAWN	MECH. DES. APP.	
FRAC. DIM. ±								FINISH & SPEC. NO.			ELEC. DES. APP.
ANGULAR DIM. ±								TR-034		FINAL APPROVAL	

IF IT IS FOUND DESIRABLE TO CHANGE ANY TOLERANCE OR OTHER DETAIL SPECIFIED ON THIS DRAWING NOTIFY THE PURCHASER PROMPTLY.

TR-036 A

MAXIMUM ALLOWABLE TOLERANCES HAVE BEEN DETERMINED AND DEVIATIONS WILL BE CAUSE FOR REJECTION. REMOVE ALL BURRS AND SHARP EDGES

REQ. PER UNIT

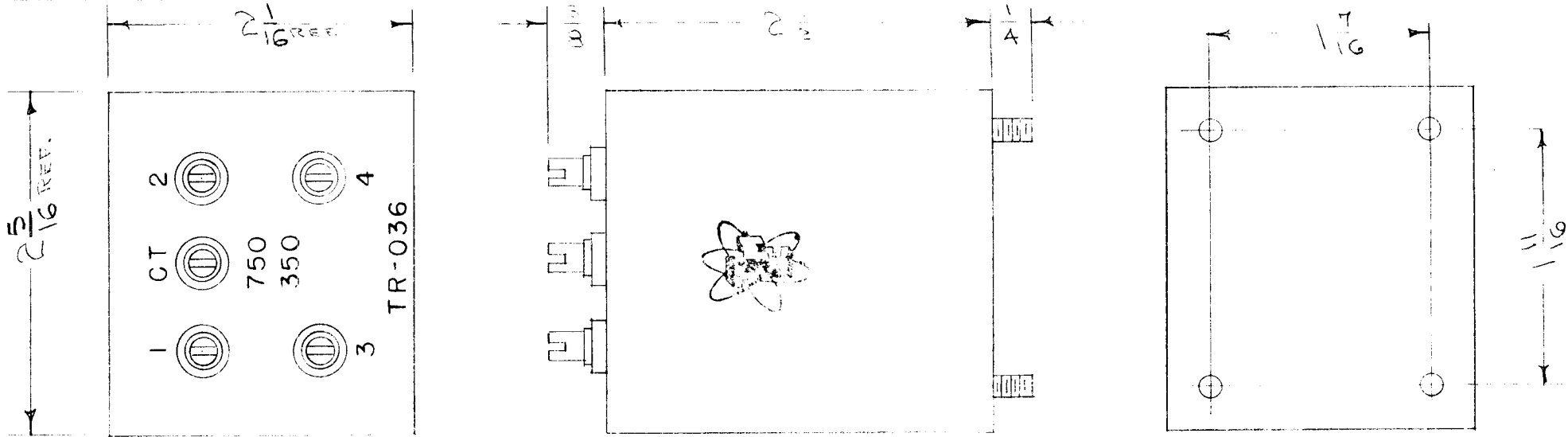
USED ON

MODEL

PROJECT NO.

ASS'Y. NO.

DATE



ELECTRICAL SPECIFICATIONS  
 INPUT - 1-2 750 Ω UNBALANCED  
 OUTPUT - 3-A 350 Ω UNBALANCED  
 C.T. - GROUND

MECHANICAL SPECIFICATIONS  
 CASE - STEEL  
 COLOR - GRAY  
 FILLER - COMPOUND  
 STUDS - 6-32 X 1/4

2-32 Mc.

REQ.	ITEM	PART NO.	DESCRIPTION			SYMBOL
			THE TECHNICAL MATERIEL CORP.			
			MAMARONECK, NEW YORK			
			TRANSFORMER			
			MATERIAL			
			WEIGHT PER PC.			
			TYPE & TEMPER			
			HEAT TREAT. SPEC.			
			FINISH & SPEC. NO.			
			STOCK SIZE			
			DRAWN			
			ELEC. DES. APP.			
			MECH. DES. APP.			
			CHECKED			
			FINAL APPROVAL			
			2A-5511			
			TR-036			
			A			

ISSUE	ITEM	CHANGED FROM	DATE	CN. NO.	DRAFTS	CHECKER	ENG. APP.
A	1	DIM. CHG'D FROM 2x2-1/4 TO 2-1/16 x 2-5/16 AS PER BX-110	1/9/58	1	16	JMK	AW

TOLERANCES	SCALE
DEC. DIM. ± FRAC. DIM. ± ANGULAR DIM. ±	DRILL, PUNCH, COMMERCIAL STOCK SIZES AND MANUFACTURERS TOLERANCES ARE NOT INCLUDED.

IF IT IS FOUND DESIRABLE TO CHANGE ANY TOLERANCE OR OTHER DETAIL SPECIFIED ON THIS DRAWING NOTIFY THE PURCHASER PROMPTLY.

TR-037 A

MAXIMUM ALLOWABLE TOLERANCES HAVE BEEN DETERMINED AND DEVIATIONS WILL BE CAUSE FOR REJECTION. REMOVE ALL BURRS AND SHARP EDGES

REQ. PER UNIT

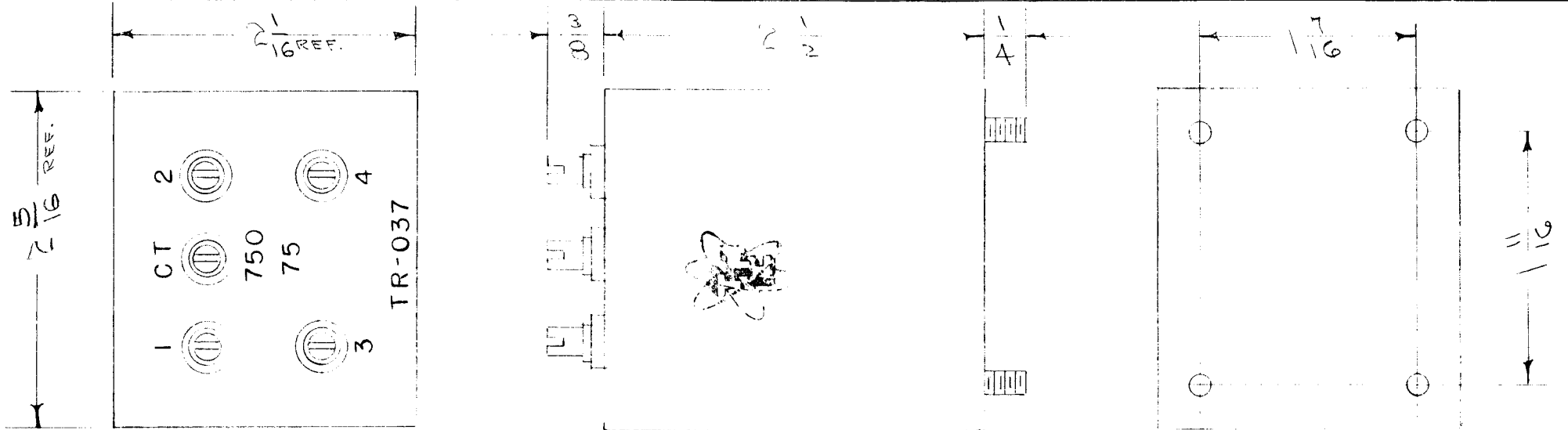
USED ON

MODEL

PROJECT NO.

ASS'Y. NO.

DATE



ELECTRICAL SPECIFICATIONS  
 INPUT 1-2 750  $\Omega$  UNBALANCED  
 OUTPUT 3-4 75  $\Omega$  UNBALANCED  
 C.T. GROUND

2-32 MC

MECHANICAL SPECIFICATIONS  
 CASE - STEEL  
 COLOR - GRAY  
 FILLER - COMPOUND  
 STUDS - 6-32 x 1/4

REQ.	ITEM	PART NO.	DESCRIPTION	SYMBOL
			<b>THE TECHNICAL MATERIEL CORP.</b>	
STOCK SIZE			MAMARONECK. NEW YORK	
			TRANSFORMER	
		MATERIAL	WEIGHT PER PC.	
			CDD. 5-4-55	
TYPE & TEMPER			DRAWN	ELEC. DES. APP. MECH. DES. APP.
			CHECKED	
			FINAL APPROVAL	
			2A-508	
HEAT TREAT. SPEC.			TR-037 A	
FINISH & SPEC. NO.				

A	1	DIM. CHG D. FROM 2 x 2-1/4 to 2-1/16 x 2-5/16 AS PER BX-110	1/58	1	16	H	110	<i>[Signature]</i>
ISSUE	ITEM	CHANGED FROM	DATE	CN. NO.	DRAFTS	CHECKER	ENG. APP.	

TOLERANCES		SCALE
ALL OTHERS		DRILL, PUNCH, COMMERCIAL STOCK SIZES AND MANUFACTURERS TOLERANCES ARE NOT INCLUDED.
DEC. DIM. $\pm$	FRAC. DIM. $\pm$	
ANGULAR DIM. $\pm$		

IF IT IS FOUND DESIRABLE TO CHANGE ANY TOLERANCE OR OTHER DETAIL SPECIFIED ON THIS DRAWING NOTIFY THE PURCHASER PROMPTLY.

TR-038 A

MAXIMUM ALLOWABLE TOLERANCES HAVE BEEN DETERMINED AND DEVIATIONS WILL BE CAUSE FOR REJECTION. REMOVE ALL BURRS AND SHARP EDGES

REQ. PER UNIT

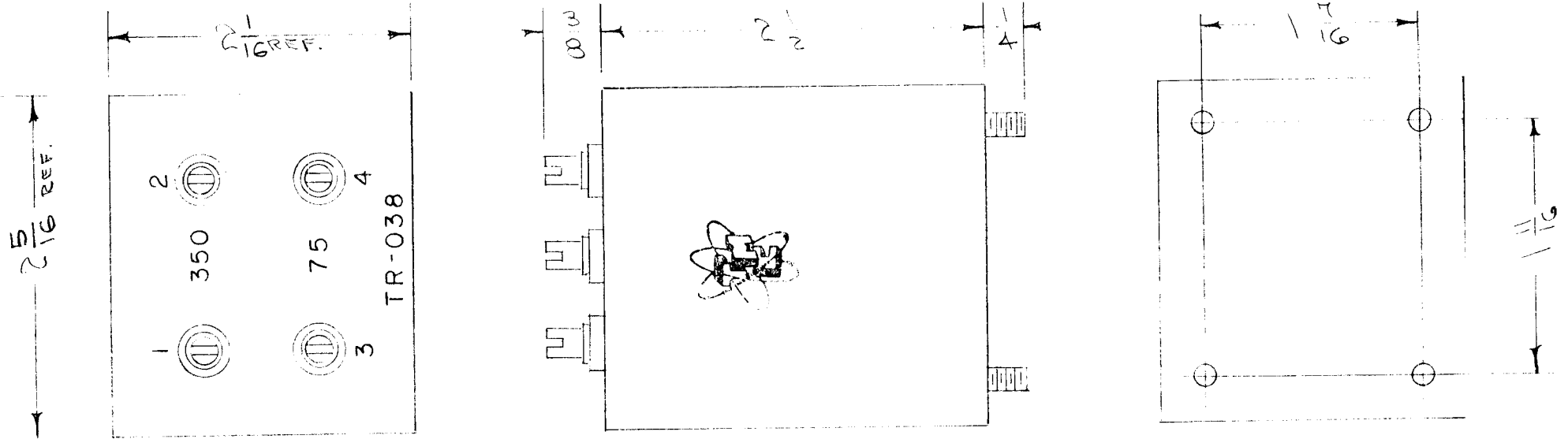
USED ON

MODEL

PROJECT NO.

ASS'Y. NO.

DATE



ELECTRICAL SPECIFICATIONS  
 INPUT 1-2 350  $\Omega$  UNBALANCED  
 OUTPUT 3-4 75  $\Omega$  UNBALANCED

2-32 MC.

MECHANICAL SPECIFICATIONS  
 CASE - STEEL  
 COLOR - GRAY  
 FILLER - COMPOUND  
 STUDS - 6-32 X 1/4

REQ.	ITEM	PART NO.	DESCRIPTION	SYMBOL							
			THE TECHNICAL MATERIEL CORP. MAMARONECK, NEW YORK								
STOCK SIZE			TRANSFORMER								
MATERIAL		WEIGHT PER PC.									
A	1	DIM. CHG'D. FROM 2 X 2-1/4 TO 2-1/16 X 2-5/16 AS PER BX-106	1/9/58	1							
ISSUE	ITEM	CHANGED FROM	DATE	CN. NO.	DRAFTS	CHECKER	ENG. APP.	CDD. S-4-55			
TOLERANCES			SCALE		TYPE & TEMPER		DRAWN		ELEC. DES. APP.	MECH. DES. APP.	
ALL OTHERS			DEC. DIM. $\pm$ FRAC. DIM. $\pm$ ANGULAR DIM. $\pm$		DRILL, PUNCH, COMMERCIAL STOCK SIZES AND MANUFACTURERS TOLERANCES ARE NOT INCLUDED.		HEAT TREAT. SPEC.		CHECKED		FINAL APPROVAL
					FINISH & SPEC. NO.		DA 509		TR-038 A		

IF IT IS FOUND DESIRABLE TO CHANGE ANY TOLERANCE OR OTHER DETAIL SPECIFIED ON THIS DRAWING NOTIFY THE PURCHASER PROMPTLY.

TR-039 A

MAXIMUM ALLOWABLE TOLERANCES HAVE BEEN DETERMINED AND DEVIATIONS WILL BE CAUSE FOR REJECTION. REMOVE ALL BURRS AND SHARP EDGES

REQ. PER UNIT

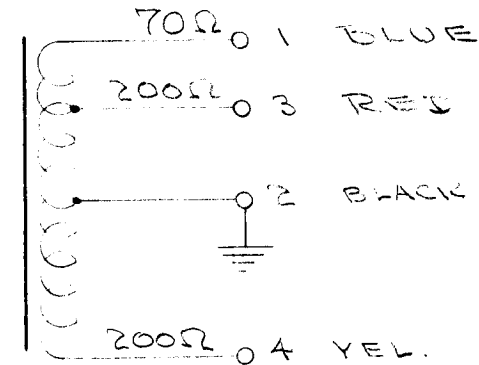
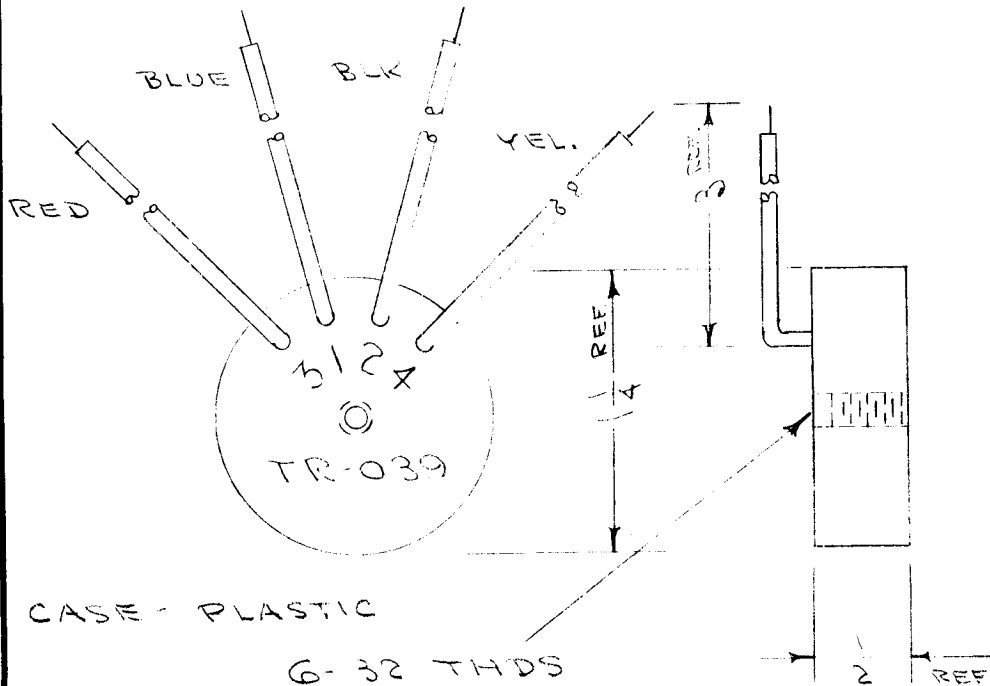
USED ON

MODEL

PROJECT NO.

ASS'Y. NO.

DATE



200 $\Omega$  BALANCED TO 70 $\Omega$  UNBALANCED  
2-32 M.C.

REQ.	ITEM	PART NO.	DESCRIPTION	SYMBOL
			THE TECHNICAL MATERIEL CORP. MAMARONECK. NEW YORK	
		STOCK SIZE	TRANSFORMER	
		MATERIAL	WEIGHT PER PC.	
		TYPE & TEMPER	ADD. SA. E.	W.C.
		HEAT TREAT. SPEC.	DRAWN	ELEC. DES. APP. MECH. DES. APP.
		FINISH & SPEC. NO.	CHECKED	FINAL APPROVAL
			2A-512	TR-039 A

A	200 $\Omega$ WAS UNBALANCED 70 $\Omega$ WAS BALANCED	7-3-62	6900	R.T.	J.W.	K.B.	
ISSUE	ITEM	CHANGED FROM	DATE	CN. NO.	DRAFTS	CHECKER	ENG. APP.

TOLERANCES		SCALE	DRILL, PUNCH, COMMERCIAL STOCK SIZES AND MANUFACTURERS TOLERANCES ARE NOT INCLUDED.
ALL OTHERS	DEC. DIM. $\pm$ FRAC. DIM. $\pm 1/64$ ANGULAR DIM. $\pm$		



IF IT IS FOUND DESIRABLE TO CHANGE ANY TOLERANCE OR OTHER DETAIL SPECIFIED ON THIS DRAWING NOTIFY THE PURCHASER PROMPTLY.

TR-040

MAXIMUM ALLOWABLE TOLERANCES HAVE BEEN DETERMINED AND DEVIATIONS WILL BE CAUSE FOR REJECTION. REMOVE ALL BURRS AND SHARP EDGES

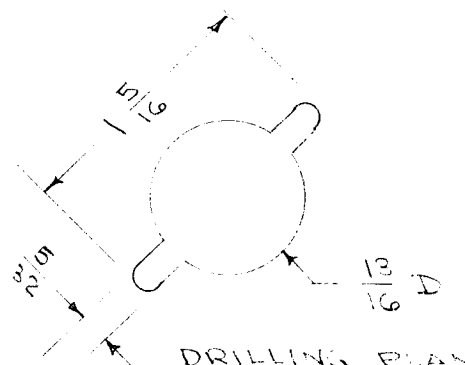
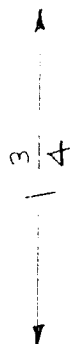
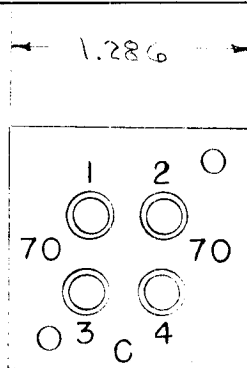
USED ON

MODEL

PROJECT NO.

ASS'Y. NO.

DATE



MECHANICAL SPECIFICATIONS-

- 1- CASE - STEEL
- 2- TERMINALS - CERAMIC
- 3- FILLER - COMPOUND
- 4- FINISH - GREY
- 5- STUDS - 6-32 X 3/8

ELECTRICAL SPECIFICATIONS-

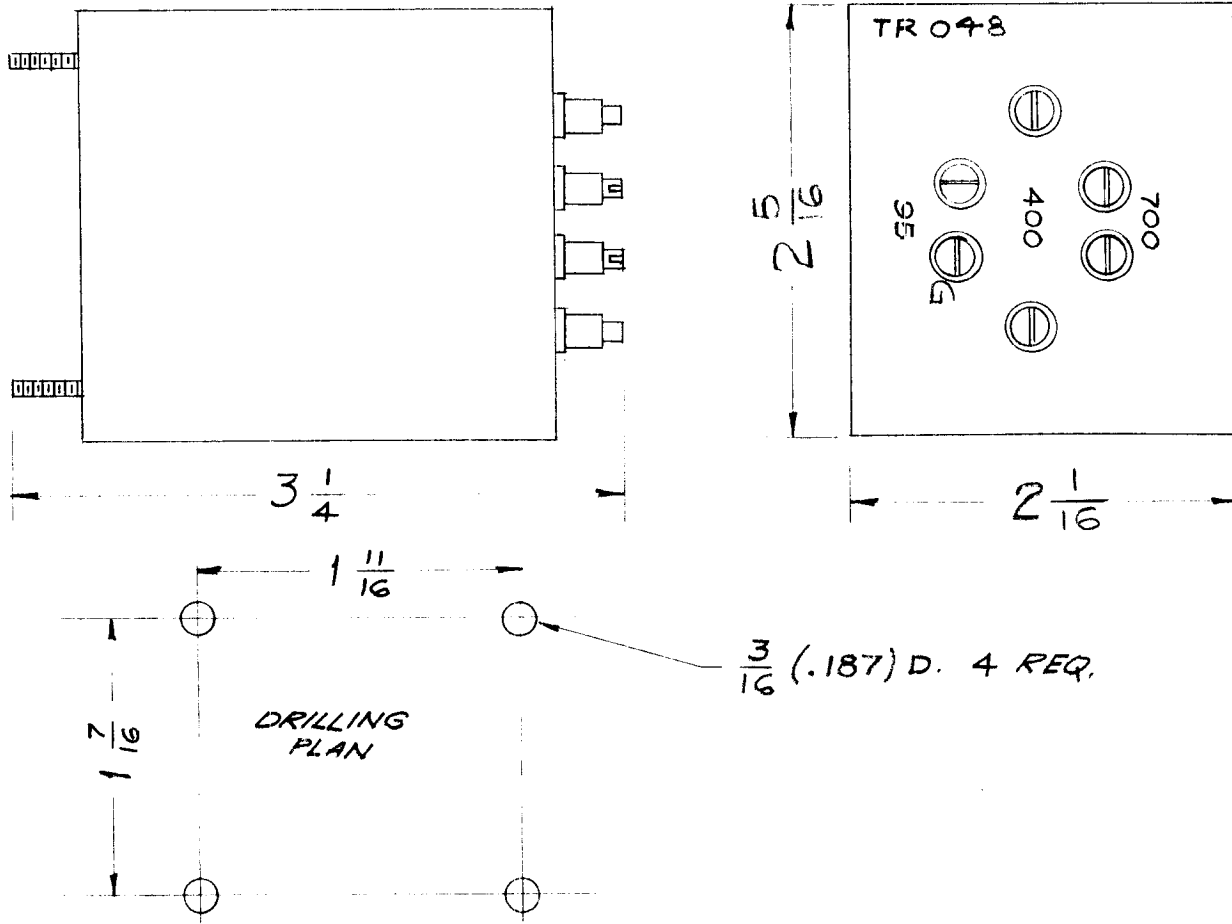
- 1- INPUT - 1-3 70 Z UNBAL. OUTPUT - 2-4 70 Z UNBAL.
- 2- FREQ. RESPONSE - 2-30 mc. ± 3 db.

TMC  
TR040

REQ.	ITEM	PART NO.	DESCRIPTION	SYMBOL
			<b>THE TECHNICAL MATERIEL CORP.</b> MAMARONECK. NEW YORK	
		STOCK SIZE	TRANSFORMER	
		MATERIAL	ANTENNA COUPLING	
		WEIGHT PER PC.		
		TYPE & TEMPER	D.D. 10-7-53	
		HEAT TREAT. SPEC.	DRAWN	ELEC. DES. APP. MECH. DES. APP.
		FINISH & SPEC. NO.	CHECKED	FINAL APPROVAL
			TR-040	

ISSUE	ITEM	CHANGED FROM	DATE	CN. NO.	DRAFTS	CHECKER	ENG. APP.
TOLERANCES			SCALE				
ALL OTHERS	DEC. DIM. ± FRAC. DIM. ± ANGULAR DIM. ±		DRILL, PUNCH, COMMERCIAL STOCK SIZES AND MANUFACTURERS TOLERANCES ARE NOT INCLUDED.				

REQ. PER UNIT	USED ON			TR-048	B
	MODEL	ASS'Y. NO.	DATE		
1	RAC-3	A-1463	9-10-57		



**MECHANICAL SPECIFICATION:**

1. CASE, STEEL
2. TERMINALS, CERAMIC
3. FILLER, COMPOUND
4. FINISH, GRAY
5. STUDS, 6-32 X 3/8

**ELECTRICAL SPECIFICATION:**

1. IMPEDANCE  
700 OHMS BALANCED  
TO 95 OHMS UNBALANCED  
OR  
400 OHMS BALANCED  
TO 95 OHMS UNBALANCED.
2. RESPONSE  
2 TO 30 MCS ± .5db.

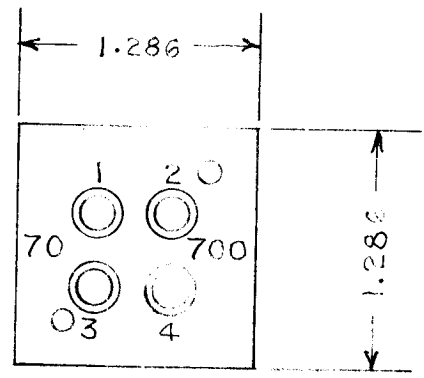
ISSUE	ITEM	CHANGED FROM	DATE	CH. NO.	DRAFTS	CHECKER	ENG. APP.	REQ. ITEM	PART NO.	DESCRIPTION	SYMBOL		
B	1	ELEC. SPEC. CHART #2 (±1.5db) WAS (±3db)	2-1-62	6285	G.S.	<del>CG</del>	CG			THE TECHNICAL MATERIEL CORP. MAMARONECK, NEW YORK  TRANSFORMER RF  2 TO 30 MCS			
A	1	DIM. CHGD FROM 2 X 2-1/4 TO 2-1/16 X 2-5/16 AS PER BX-107	1/9/58	1	16	H. J. G.	H. J. G.						
TOLERANCES			SCALE:		4A-1462					9-10-57			
DEC. DIM. ± FRAC. DIM. ± ANGULAR DIM. ±			MAXIMUM ALLOWABLE TOLERANCES HAVE BEEN DETERMINED AND ANY DEVIATIONS WILL BE CAUSE FOR REJECTION. REMOVE ALL BURRS AND SHARP EDGES										
								TYPE & TEMPER	HEAT TREAT. SPEC.	DRAWN	CHECKED	FINAL APPROVAL	
								FINISH & SPEC. NO.		ELEC. DES. APP.	MECH. DES. APP.		

IF IT IS FOUND DESIRABLE TO CHANGE ANY TOLERANCE OR OTHER DETAIL SPECIFIED ON THIS DRAWING NOTIFY THE PURCHASER PROMPTLY.

TR-051 A

MAXIMUM ALLOWABLE TOLERANCES HAVE BEEN DETERMINED AND DEVIATIONS WILL BE CAUSE FOR REJECTION. REMOVE ALL BURRS AND SHARP EDGES

USED ON			
MODEL	PROJECT NO.	ASS'Y. NO.	DATE

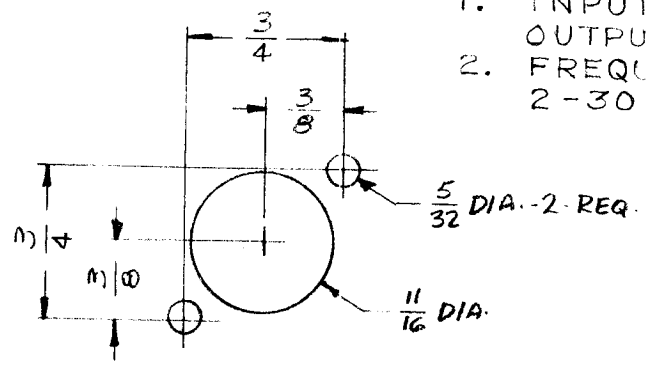
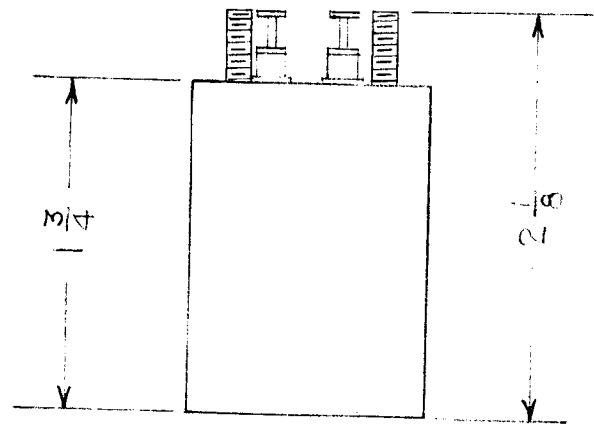


MECHANICAL SPECIFICATIONS

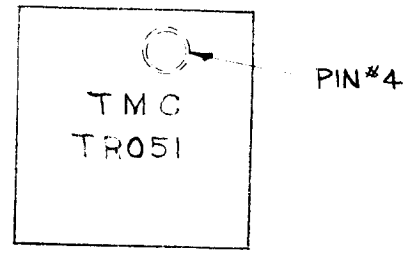
1. CASE - STEEL
2. TERMINALS - CERAMIC
3. FILLER - COMPOUND
4. FINISH - GREY
5. STUDS - 6-32 x  $\frac{3}{8}$

ELECTRICAL SPECIFICATIONS

1. INPUT 2-4 700  $\Omega$  UNBALANCED  
OUTPUT 1-3 70  $\Omega$  UNBALANCED
2. FREQUENCY RESPONSE  
2-30 MC.  $\pm$  DB.



MOUNTING DIM.



REQ.	ITEM	PART NO.	DESCRIPTION	SYMBOL
			<b>TMC (Canada) LIMITED</b> OTTAWA ONTARIO	
			R.F. TRANSFORMER	
			OUTPUT	
			J.W.T.	
			DRAWN	ELEC. DES. APP. MECH. DES. APP.
			CHECKED	FINAL APPROVAL
			A-10032	TR-051
			HEAT TREAT. SPEC.	
			FINISH & SPEC. NO.	

A	1	DRILLING PLAN CLARIFIED PIN 4 ADDED TO BOTTOM VIEW	12-4-62	767Z	EF	J.W.T.	J.W.T.
ISSUE	ITEM	CHANGED FROM	DATE	CN. NO.	DRAFTS	CHECKER	ENG. APP.

TOLERANCES		SCALE FULL SIZE
ALL OTHERS	DEC. DIM. $\pm$ FRAC. DIM. $\pm$ ANGULAR DIM. $\pm$	DRILL, PUNCH, COMMERCIAL STOCK SIZES AND MANUFACTURERS TOLERANCES ARE NOT INCLUDED.

IF IT IS FOUND DESIRABLE TO CHANGE ANY TOLERANCE OR OTHER DETAIL SPECIFIED ON THIS DRAWING NOTIFY THE PURCHASER PROMPTLY.

TR-053-A

MAXIMUM ALLOWABLE TOLERANCES HAVE BEEN DETERMINED AND DEVIATIONS WILL BE CAUSE FOR REJECTION. REMOVE ALL BURRS AND SHARP EDGES

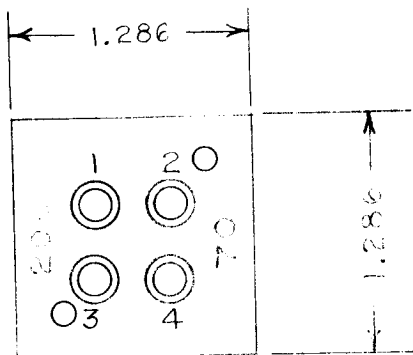
USED ON

MODEL

PROJECT NO.

ASS'Y. NO.

DATE



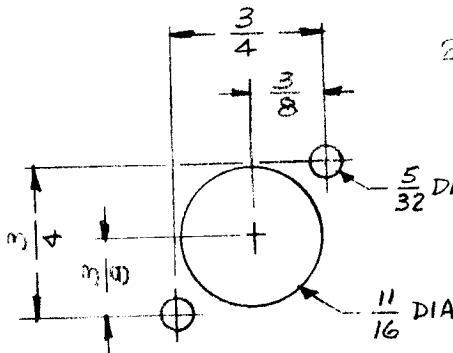
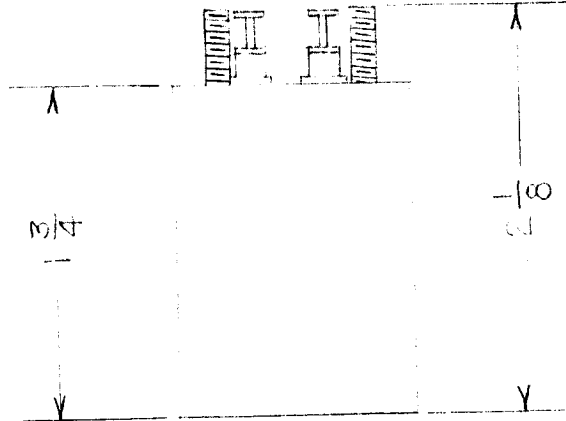
MECHANICAL SPECIFICATIONS

1. CASE - STEEL
2. TERMINALS - CERAMIC
3. FILLER - COMPOUND
4. FINISH - GREY
5. STUDS - 6-32 x  $\frac{3}{8}$

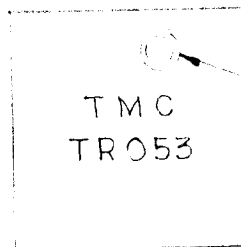
ELECTRICAL SPECIFICATIONS

1. INPUT 1-3 200Ω BALANCED  
OUTPUT 2-4 70Ω UNBALANCED
2. FREQUENCY RESPONSE  
2-30 MC. ± DB.

SEE CK10033 FOR CONNECTIONS



MOUNTING DIM.



REQ.	ITEM	PART NO.	DESCRIPTION	SYMBOL
			<b>TMC (Canada) LIMITED</b> OTTAWA ONTARIO	
		STOCK SIZE	R.F. TRANSFORMER	
		MATERIAL	OUTPUT AMC 6	
		WEIGHT PER PC.	J.W.T.	
		TYPE & TEMPER	DRAWN	ELEC. DES. APP.
		HEAT TREAT. SPEC.	CHECKED	MECH. DES. APP.
		FINISH & SPEC. NO.	FINAL APPROVAL	
			A-10037	TR-053
				A

A	1	DRILLING PLAN CLARIFIED PIN 4 ADDED TO BOTTOM VIEW	12-4-62	7672	<i>[Signature]</i>	<i>[Signature]</i>
ISSUE	ITEM	CHANGED FROM	DATE	CN. NO.	DRAFTS CHECKER	ENG. APP.

TOLERANCES		SCALE FULL SIZE
ALL OTHERS	DEC. DIM. ± FRAC. DIM. ± ANGULAR DIM. ±	DRILL, PUNCH, COMMERCIAL STOCK SIZES AND MANUFACTURERS TOLERANCES ARE NOT INCLUDED.

IF IT IS FOUND DESIRABLE TO CHANGE ANY TOLERANCE OR OTHER DETAIL SPECIFIED ON THIS DRAWING NOTIFY THE PURCHASER PROMPTLY.

TR-055-A

MAXIMUM ALLOWABLE TOLERANCES HAVE BEEN DETERMINED AND DEVIATIONS WILL BE CAUSE FOR REJECTION. REMOVE ALL BURRS AND SHARP EDGES

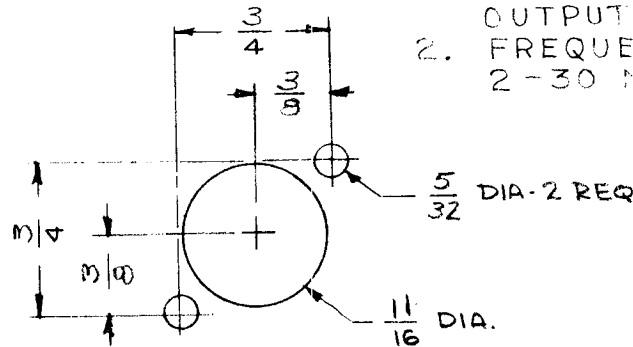
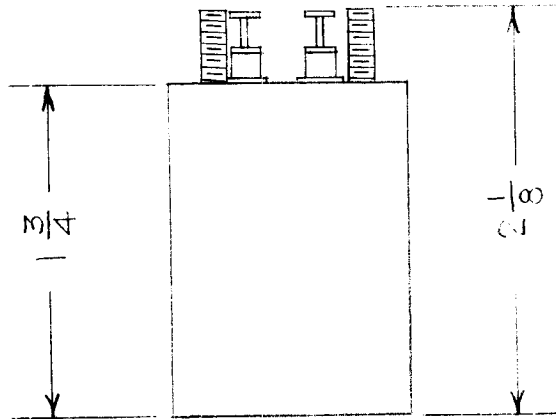
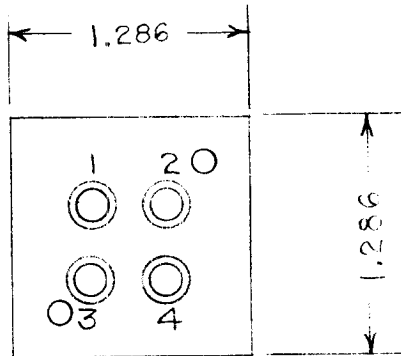
USED ON

MODEL

PROJECT NO.

ASS'Y. NO.

DATE



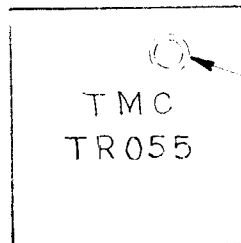
MECHANICAL SPECIFICATIONS

1. CASE - STEEL
2. TERMINALS - CERAMIC
3. FILLER - COMPOUND
4. FINISH - GREY
5. STUDS - 6-32 x 3/8

ELECTRICAL SPECIFICATIONS

1. INPUT OUTPUT
2. FREQUENCY RESPONSE 2-30 MC. ± DB.

MOUNTING DIM



REQ.	ITEM	PART NO.	DESCRIPTION	SYMBOL
			<b>TMC (Canada) LIMITED</b>	
			OTTAWA ONTARIO	
STOCK SIZE			R.F. TRANSFORMER	
MATERIAL			SPECIAL	
WEIGHT PER PC.				
TYPE & TEMPER			J.W.T.	
			DRAWN	ELEC. DES. APP. MECH. DES. APP.
HEAT TREAT. SPEC.			CHECKED	FINAL APPROVAL
FINISH & SPEC. NO.			A-10035	TR-055 A

ISSUE	ITEM	CHANGED FROM	DATE	CN. NO.	DRAFTS	CHECKER	ENG. APP.
1		DRILLING TOLERANCES	12-4-52				

TOLERANCES		SCALE FULL SIZE
ALL OTHERS	DEC. DIM. ± FRAC. DIM. ± ANGULAR DIM. ±	DRILL, PUNCH, COMMERCIAL STOCK SIZES AND MANUFACTURERS TOLERANCES ARE NOT INCLUDED.

IF IT IS FOUND DESIRABLE TO CHANGE ANY TOLERANCE OR OTHER DETAIL SPECIFIED ON THIS DRAWING NOTIFY THE PURCHASER PROMPTLY.

TR-056 A

MAXIMUM ALLOWABLE TOLERANCES HAVE BEEN DETERMINED AND DEVIATIONS WILL BE CAUSE FOR REJECTION. REMOVE ALL BURRS AND SHARP EDGES

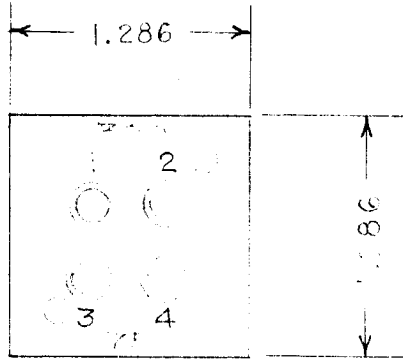
USED ON

MODEL

PROJECT NO.

ASS'Y. NO.

DATE

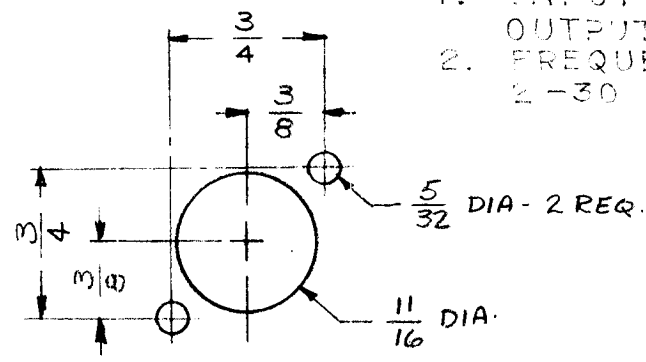
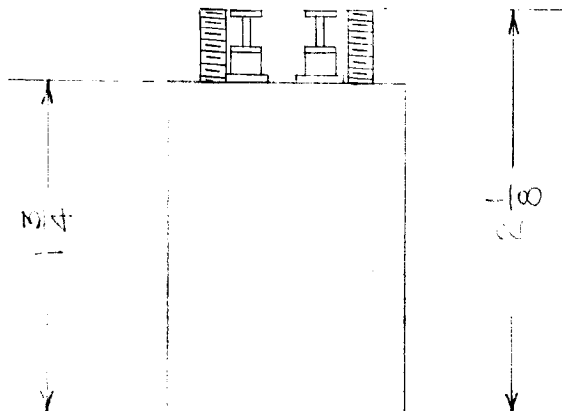


MECHANICAL SPECIFICATIONS

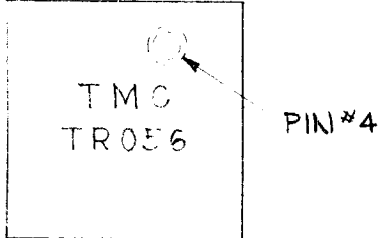
1. CASE - STEEL
2. TERMINALS - CERAMIC
3. FILLER - COMPOUND
4. FINISH - GREY
5. THREADS - 2-32 x 3/8

ELECTRICAL SPECIFICATIONS

1. INPUT 1-2 300 Ω BALANCED  
OUTPUT 4-3 75 Ω UNBALANCED
2. FREQUENCY RESPONSE  
2-30 MC. ± 5 DB.



MOUNTING DIM.



REQ.	ITEM	PART NO.	DESCRIPTION	SYMBOL
			<b>TMC (Canada) LIMITED</b>	
STOCK SIZE			OTTAWA	ONTARIO
			R.F. TRANSFORMER	
MATERIAL			WEIGHT PER PC.	
			SPECIAL	
TYPE & TEMPER			J.W.F.	
			DRAWN	ELEC. DES. APP. MECH. DES. APP.
HEAT TREAT. SPEC.			CHECKED	FINAL APPROVAL
FINISH & SPEC. NO.			A-10036	TR-056 A

ISSUE	ITEM	CHANGED FROM	DATE	CN. NO.	DRAFTS	CHECKER	ENG. APP.
A	1	PRINTING PLAN REVERSED AND ADDED TO BOTTOM VIEW					

TOLERANCES		SCALE FULL SIZE
ALL OTHERS	DEC. DIM. ± FRAC. DIM. ± ANGULAR DIM. ±	DRILL, PUNCH, COMMERCIAL STOCK SIZES AND MANUFACTURERS TOLERANCES ARE NOT INCLUDED.

IF IT IS FOUND DESIRABLE TO CHANGE ANY TOLERANCE OR OTHER DETAIL SPECIFIED ON THIS DRAWING NOTIFY THE PURCHASER PROMPTLY.

TR-057 C

MAXIMUM ALLOWABLE TOLERANCES HAVE BEEN DETERMINED AND DEVIATIONS WILL BE CAUSE FOR REJECTION. REMOVE ALL BURRS AND SHARP EDGES

USED ON

MODEL

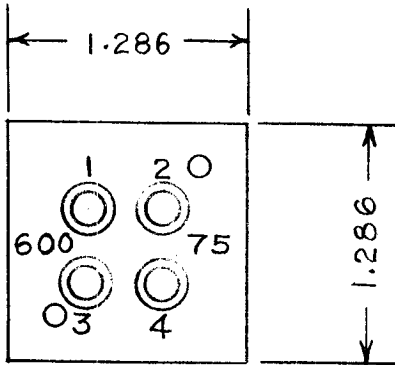
PROJECT NO.

ASS'Y. NO.

DATE

AMC 6-2  
AMC 6-3

A-10038

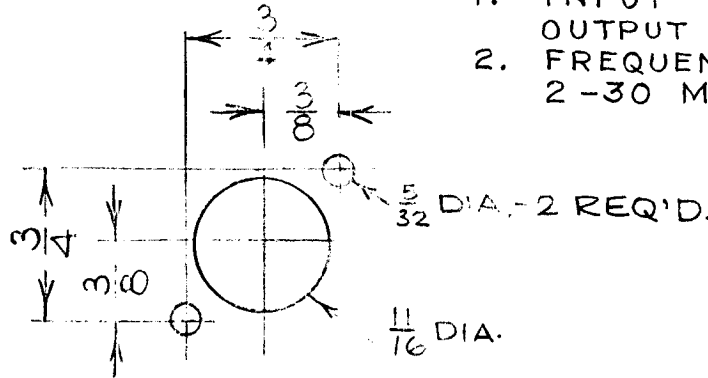
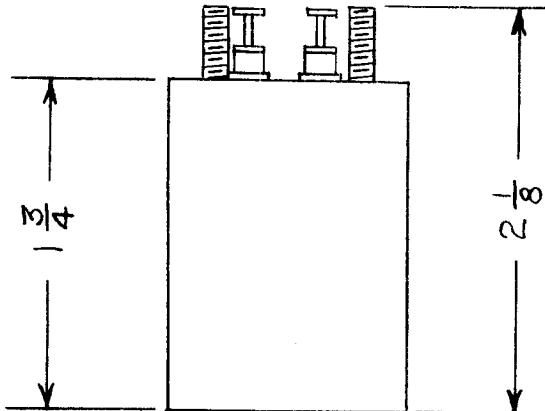


MECHANICAL SPECIFICATIONS

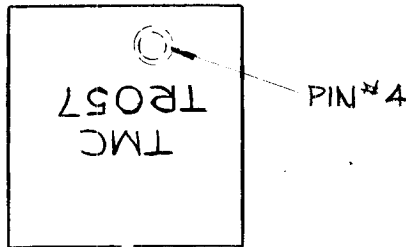
1. CASE - STEEL
2. TERMINALS - CERAMIC
3. FILLER - COMPOUND
4. FINISH - GREY
5. STUDS - 6-32 x  $\frac{3}{8}$

ELECTRICAL SPECIFICATIONS

1. INPUT 1-3 600  $\Omega$  UNBALANCED  
OUTPUT 2-4 75  $\Omega$  UNBALANCED
2. FREQUENCY RESPONSE  
2-30 MC.  $\pm$  1 DB.



MOUNTING DIM.



REQ.	ITEM	PART NO.	DESCRIPTION	SYMBOL
			<b>TMC (Canada) LIMITED</b>	
			OTTAWA ONTARIO	
			R.F. TRANSFORMER	
			OUTPUT	
			J.W.T.	
			DRAWN	ELEC. DES. APP. MECH. DES. APP.
			CHECKED	FINAL APPROVAL
			A-10038	TR-057 C
			FINISH & SPEC. NO.	

C	1	PIN #4 ADDED TO BOT TOM VIEW	12-2-62	7672			
ISSUE	ITEM	CHANGED FROM	DATE	CN. NO.	DRAFTS	CHECKER	ENG. APP.

TOLERANCES		SCALE FULL SIZE
ALL OTHERS	DEC. DIM. $\pm$ FRAC. DIM. $\pm$ ANGULAR DIM. $\pm$	DRILL, PUNCH, COMMERCIAL STOCK SIZES AND MANUFACTURERS TOLERANCES ARE NOT INCLUDED.

IF IT IS FOUND DESIRABLE TO CHANGE ANY TOLERANCE OR OTHER DETAIL SPECIFIED ON THIS DRAWING NOTIFY THE PURCHASER PROMPTLY.

TR-058 B

MAXIMUM ALLOWABLE TOLERANCES HAVE BEEN DETERMINED AND DEVIATIONS WILL BE CAUSE FOR REJECTION. REMOVE ALL BURRS AND SHARP EDGES

USED ON

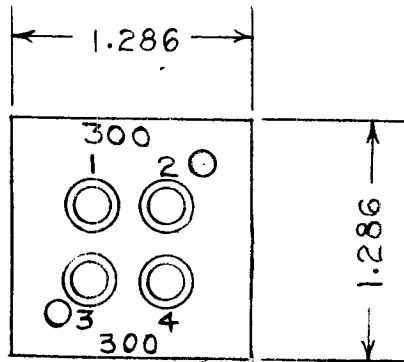
MODEL

PROJECT NO.

ASS'Y. NO.

DATE

A-10039-2  
A-10039-3

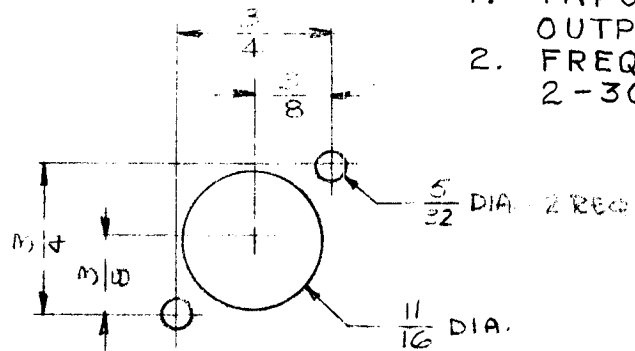
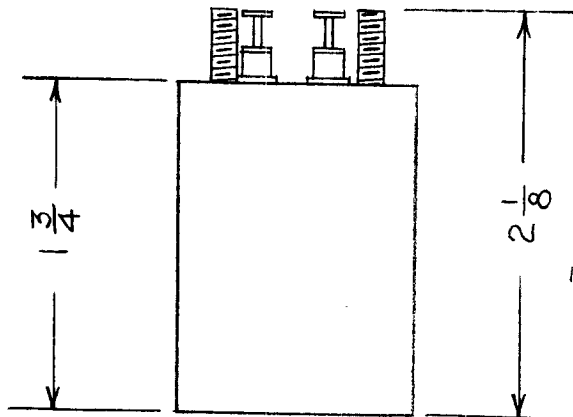


MECHANICAL SPECIFICATIONS

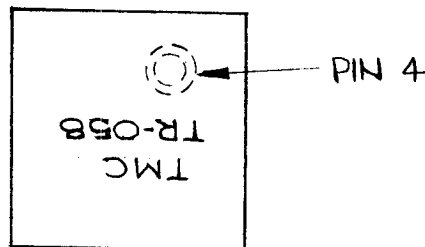
1. CASE - STEEL-CAD. PLATE
2. TERMINALS - CERAMIC
3. FILLER - COMPOUND
4. FINISH - GREY
5. STUDS - 6-32 x 3/8

ELECTRICAL SPECIFICATIONS

1. INPUT 2-3 300Ω UNBALANCED  
OUTPUT 4-1 300Ω UNBALANCED
2. FREQUENCY RESPONSE  
2-30 MC. ±0.5DB.



MOUNTING DIM.



REQ.	ITEM	PART NO.	DESCRIPTION	SYMBOL
			<b>TMC (Canada) LIMITED</b> OTTAWA ONTARIO	
		STOCK SIZE	R.F. TRANSFORMER	
		MATERIAL	NEUTRALIZING	
		WEIGHT PER PC.	J.W.T.	
		TYPE & TEMPER	DRAWN	ELEC. DES. APP. MECH. DES. APP.
		HEAT TREAT. SPEC.	CHECKED	FINAL APPROVAL
		FINISH & SPEC. NO.	A-10039	TR-058 B

B	1	STAMPING CLARIFIED	91663	9932			
ISSUE	ITEM	CHANGED FROM	DATE	CN. NO.	DRAFTS	CHECKER	ENG. APP.
TOLERANCES			SCALE FULL SIZE				
ALL OTHERS	DEC. DIM. ± FRAC. DIM. ± ANGULAR DIM. ±		DRILL, PUNCH, COMMERCIAL STOCK SIZES AND MANUFACTURERS TOLERANCES ARE NOT INCLUDED.				

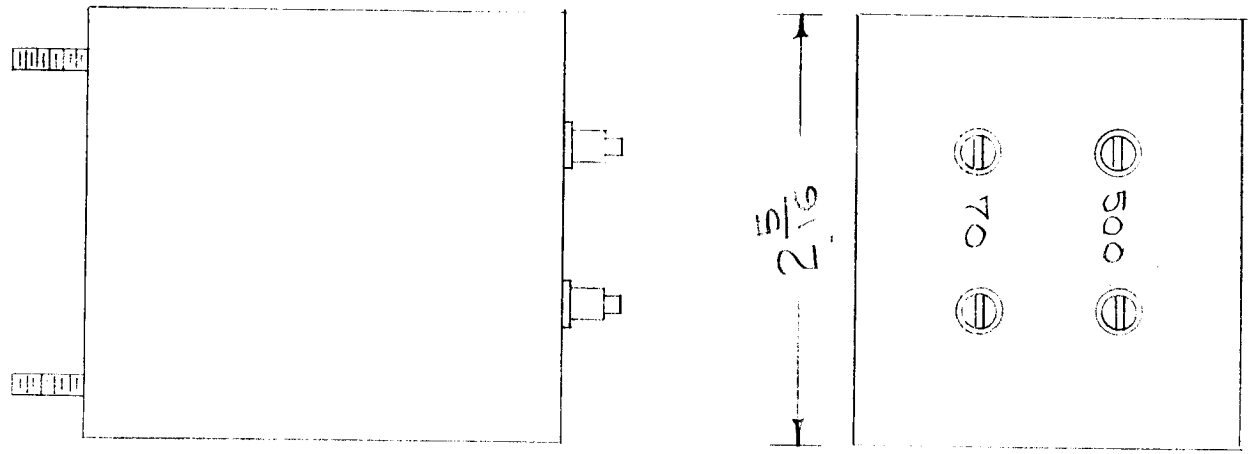


IF IT IS FOUND DESIRABLE TO CHANGE ANY TOLERANCE OR OTHER DETAIL SPECIFIED ON THIS DRAWING NOTIFY THE PURCHASER PROMPTLY.

TR-061 B

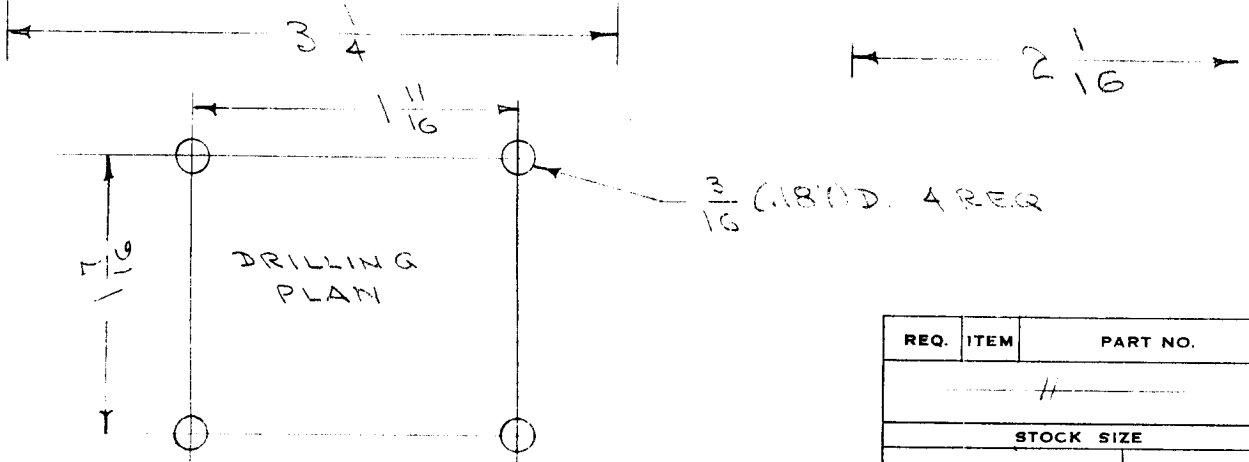
MAXIMUM ALLOWABLE TOLERANCES HAVE BEEN DETERMINED AND DEVIATIONS WILL BE CAUSE FOR REJECTION. REMOVE ALL BURRS AND SHARP EDGES

REQ. PER UNIT	USED ON			
	MODEL	PROJECT NO.	ASS'Y. NO.	DATE
1	RAC-13			8/3/55



MECHANICAL SPECIFICATIONS  
 1- CASE - STEEL  
 2- TERMINALS - CERAMIC  
 3- FILLER - COMPOUND  
 4- FINISH - GREY  
 5- STUDS - 6-32 X 3/8

ELECTRICAL SPECIFICATIONS  
 1- INPUT - 500 Ω BAL.  
 2- OUTPUT - 70 Ω UNBAL.  
 3- RESPONSE - 2-30 Mcs. ± 3db.



NOTE-TR-061(TMC NEW YORK VERSION) HAS BEEN REPLACED BY TR-168(A-2207)

REQ.	ITEM	PART NO.	DESCRIPTION	SYMBOL
			THE TECHNICAL MATERIEL CORP.	
			MAMARONECK, NEW YORK	
			TRANSFORMER, R.F.	
			2-30 Mcs.	
			ADD 8-3-55	ARB
			DRAWN	ELEC. DES. APP. MECH. DES. APP.
			CHECKED	FINAL APPROVAL
				TR-061 B

B	1	Note Added	11-7-61	5817	IE	EA	SM
A	1	DIM. CHGD FROM 2 1/4 TO 2-1/16 X 2-1/16 AS PER BX-100-B	5/58	1	16	HA	JA
ISSUE	ITEM	CHANGED FROM	DATE	CN. NO.	DRAFTS	CHECKER	ENG. APP.
TOLERANCES			SCALE				
ALL OTHERS		DEC. DIM. ± FRAC. DIM. ± ANGULAR DIM. ±	DRILL, PUNCH, COMMERCIAL STOCK SIZES AND MANUFACTURERS TOLERANCES ARE NOT INCLUDED.				

IF IT IS FOUND DESIRABLE TO CHANGE ANY TOLERANCE OR OTHER DETAIL SPECIFIED ON THIS DRAWING NOTIFY THE PURCHASER PROMPTLY.

TR-062 A

MAXIMUM ALLOWABLE TOLERANCES HAVE BEEN DETERMINED AND DEVIATIONS WILL BE CAUSE FOR REJECTION. REMOVE ALL BURRS AND SHARP EDGES

USED ON

MODEL

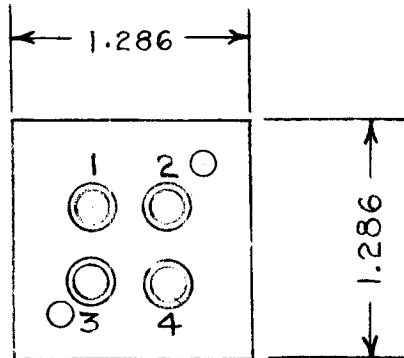
PROJECT NO.

ASS'Y. NO.

DATE

AMC 6-2  
AMC 6-3

10-5-55

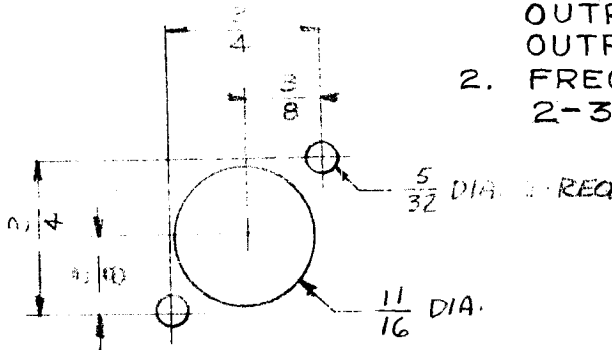
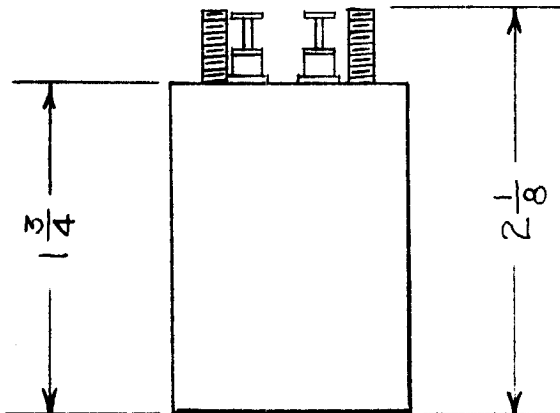


MECHANICAL SPECIFICATIONS

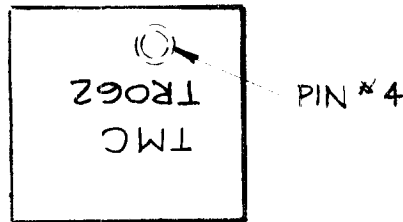
1. CASE - STEEL
2. TERMINALS - CERAMIC
3. FILLER - COMPOUND
4. FINISH - GREY
5. STUDS - 6-32 x  $\frac{3}{8}$

ELECTRICAL SPECIFICATIONS

1. INPUT 3-4 400  $\Omega$  UNBALANCED  
OUTPUT #1 2-4 400  $\Omega$  UNBALANCED  
OUTPUT #2 1-4 100  $\Omega$  UNBALANCED
2. FREQUENCY RESPONSE  
2-30 MC.  $\pm 2$  DB.



MOUNTING DIM.



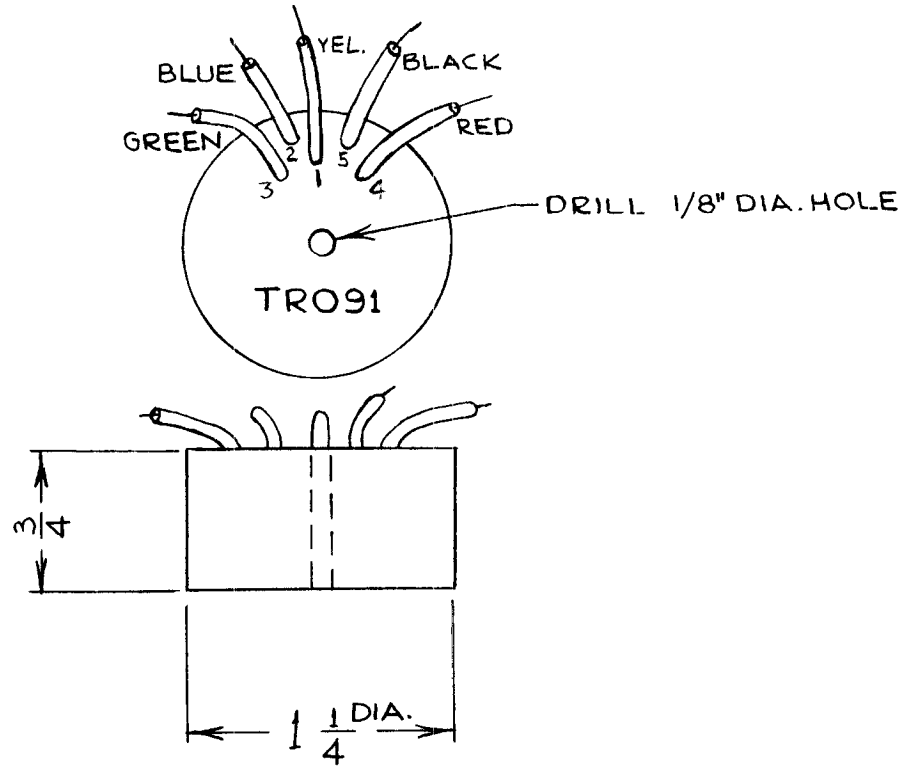
REQ.	ITEM	PART NO.	DESCRIPTION	SYMBOL
			<b>TMC (Canada) LIMITED</b> OTTAWA ONTARIO	
			R.F. TRANSFORMER	
			NEUTRALIZING	
			J.W.T.	
			DRAWN	ELEC. DES. APP. MECH. DES. APP.
			CHECKED	FINAL APPROVAL
			A-10043	TR-062
			FINISH & SPEC. NO.	

A	1	PART NO. REVERSED, PIN 4 ADDED, DRILLING PLAN CLARIFIED	12-4-62	7672				
ISSUE	ITEM	CHANGED FROM	DATE	CN. NO.	DRAFTS	CHECKER	ENG. APP.	

TOLERANCES		SCALE FULL SIZE
ALL OTHERS	DEC. DIM. $\pm$ FRAC. DIM. $\pm$ ANGULAR DIM. $\pm$	DRILL, PUNCH, COMMERCIAL STOCK SIZES AND MANUFACTURERS TOLERANCES ARE NOT INCLUDED.

ISSUE	ITEM	CHANGED FROM	DATE	CN. NO.	DRAFTS	CHECKER	ENG. APP.	REQ.	ITEM	PART NO.	DESCRIPTION	SY
A		XFMR LEADS NUMBERED	10.20.64	12661	RS	@	MMK					

All leads 1 1/2" long overall.



CONNECTIONS:

Primary: Green  
200 ohm Yellow - Centre tap  
Red.

Secondary: Blue  
50 ohm Black (ground)

SPECIFICATIONS

Primary: 200 ohm balanced.  
Secondary: 50 ohm unbalanced.  
Frequency Range: 2 to 30 Mc/s.  
Frequency Response: ± 1 1/2 db.

DAC -14		E 2160-1		4A10325		June 20/61				TMC (Canada) LIMITED OTTAWA ONTARIO		
MODEL		PROJECT NO.		ASS'Y. NO.		DATE		STOCK SIZE		RF TRANSFORMER		
										BROADBAND		
								MATERIAL		WEIGHT PER PC.		
										JPC		
								TYPE & TEMPER		DRAWN		
										ELEC. DES. APP.		
										MECH. DES. APP.		
										CHECKED		
										FINAL APPROVAL		
										TOLERANCES		
										SCALE N.T.S.		
										DIMENSIONS IN INCHES UNLESS OTHERWISE SPECIFIED		
										DRILL, PUNCH, COMMERCIAL STOCK SIZES AND MANUFACTURERS TOLERANCES ARE NOT INCLUDED.		
ALL OTHERS		DEC. DIM. ±								HEAT TREAT. SPEC.		
		FRAC. DIM. ±								FINISH & SPEC. NO.		
		ANGULAR DIM. ±								TOLERANCES		
										TRO91		
										A		