

5

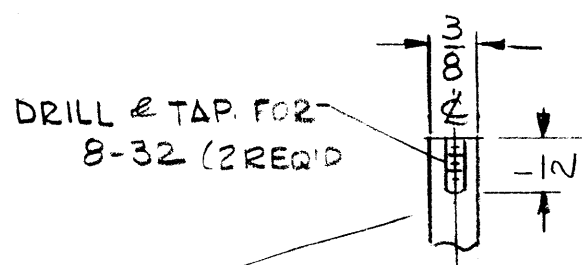
4

3

2

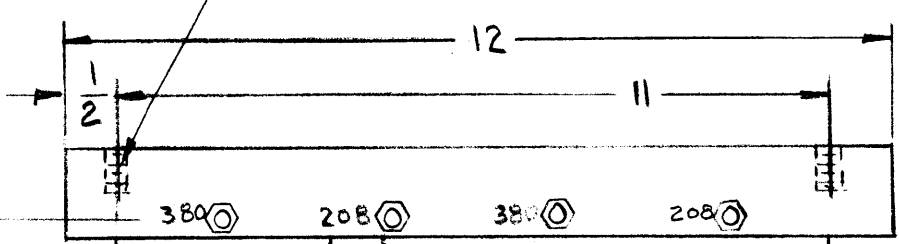
1

REVISIONS							
E.M.N. NO.	DRAFT	CHKD	ZONE	LTR	DESCRIPTION	DATE	APPROVED
	GDL				ORIGINAL RELEASE FOR PRODUCTION	2-4-93	

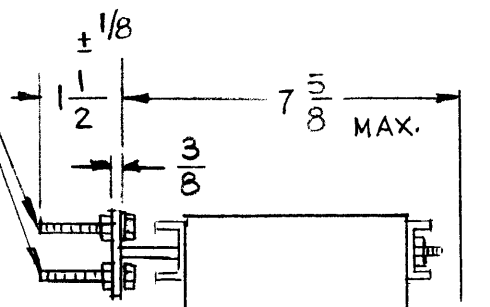


2 REQ'D

1/4 -20 STUDS

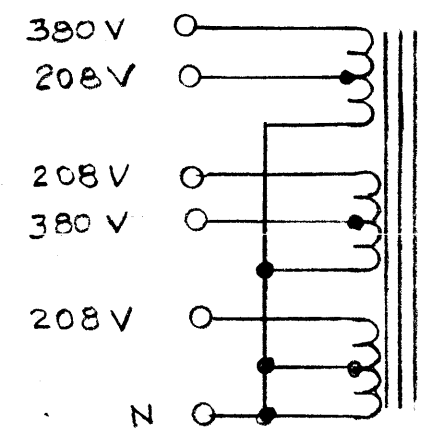


TERMINAL BOARD (BLK, W/WHITE LTR)



THE TECHNICAL MATERIEL CORP. MAMARONECK NEW YORK

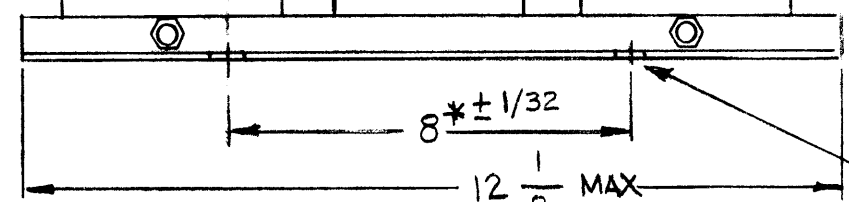
TF 336 A



INPUT - 380 VAC 50/60 CPS 3Ø

OUTPUT - 208 VAC LINE TO LINE TERMINALS 50 AMP

SCHEMATIC - TO BE STAMPED ON XFMR IN WHITE



* MTG. CENTERS

SPECIFICATIONS

WINDING DATA:

- INPUT 380 VAC
- OUTPUT VOLTAGE: 208V AC
- OUTPUT CURRENT RATING: 50AMP RMS
- BREAKDOWN TEST VOLTAGE 2000V AC
- CASE-OPEN FRAME
- FINISH-S115 SMOOTH GREY ENAMEL EXCEPT TERMINAL BOARD TERMINALS
- TERMINAL BOARD 3/8" THICK

NOTE: MFG-IN ACCORDANCE WITH MIL-T-27A SHALL NOT APPEAR ON CASE AN QUALIFICATION TESTING IS NOT REQUIRED

1	GPT-40K	
QTY / UNIT	MODEL USED ON	ASS'Y NO.
APPLICATION		
	CODE	5401-30 (7128)
NOTICE TO PERSONS RECEIVING THIS DRAWING		
THE TECHNICAL MATERIEL CORPORATION claims proprietary right in the material disclosed hereon. This drawing is issued in confidence for engineering information only and may not be reproduced or used to manufacture anything shown hereon without permission from THE TECHNICAL MATERIEL CORPORATION to the user. This drawing is loaned for mutual assistance and is subject to recall at any time.		

UNLESS OTHERWISE SPECIFIED DIMENSIONS ARE IN INCHES AND INCLUDE CHEMICALLY APPLIED OR PLATED FINISHES

DECIMALS	FRACTIONS
.X ± .05	1/64
.XX ± .01	TOLS. ANGLES
.XXX ± .005	0° - 30'

MATERIAL FINISH

REQ'D	ITEM	PART NUMBER	DESCRIPTION	SYM.
LIST OF MATERIAL				
FINAL APPROVAL				
MECH. DES.				
ELECT. DES.				
CHECKED				
DRAWN G. De LO V.				
DATE 2-4-93				
THE TECHNICAL MATERIEL CORP. MAMARONECK, NEW YORK				
TRANSFORMER POWER FIXED				
SIZE	CODE IDENT. NO.	DWG NO.	ISSUE	
B	82679	TF 336 A	C	
SCALE	1:1	SHEET		OF

5

4

3

2

1