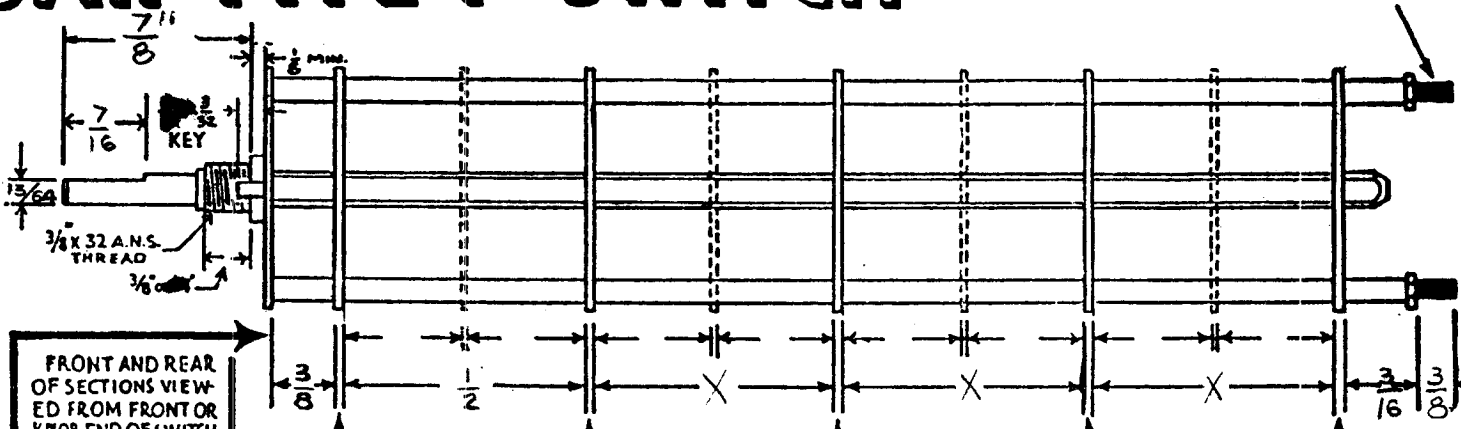
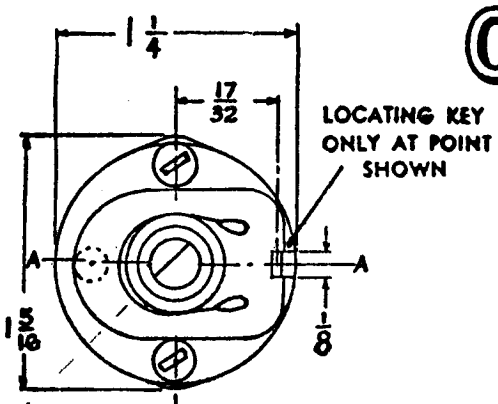


ATS CONTROL MODEL
SW-208-A
4-40 THREAD

OAK TYPE F SWITCH

CUSTOMER The Technical Material Corporation
 CUSTOMERS SW-208
 PART NO.
 OAK MFG. CO.
 1260 CLYBURN AVE., CHICAGO 10, ILL.

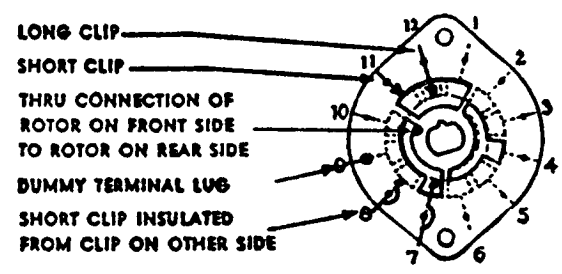


SHOW CUT AWAY PORTION OF FLAT IN BLACK AND GIVE ANGLE TO LINE A-A, ± 3° STANDARD RMA KNURLED AND SLOTTED SHAFT ALSO AVAILABLE

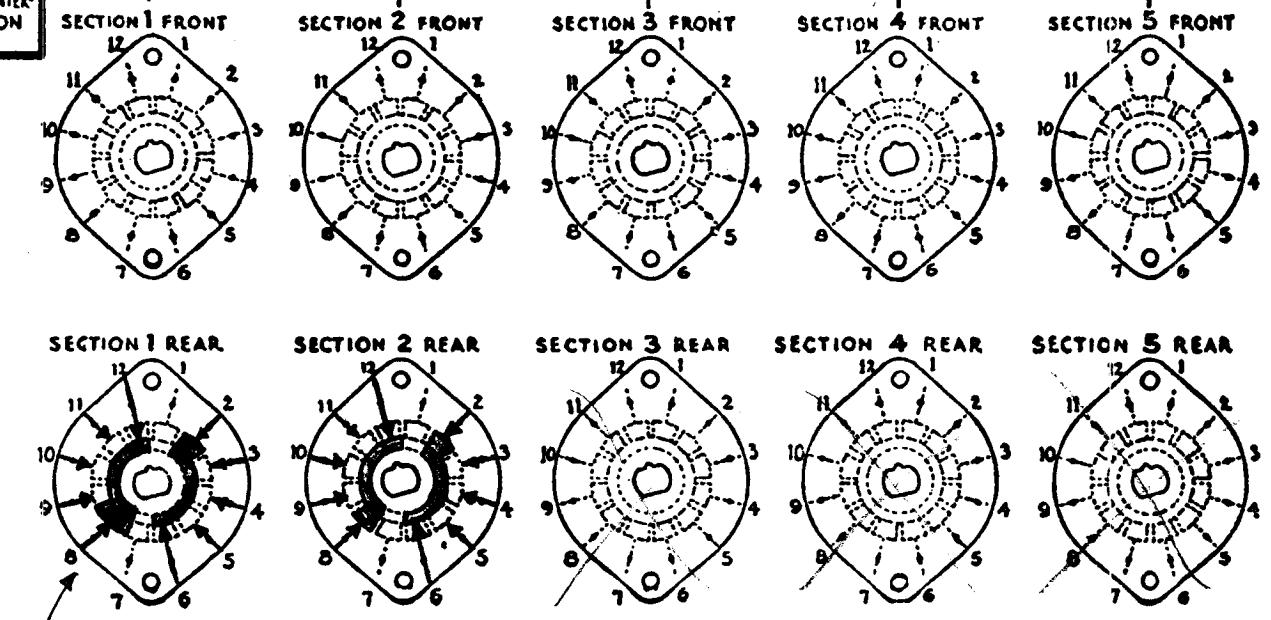
FRONT AND REAR OF SECTIONS VIEWED FROM FRONT OR KNOB END OF SWITCH IN EXTREME COUNTER-CLOCKWISE POSITION

NUMBER OF SECTIONS $\frac{2}{4}$
 NUMBER OF POSITIONS $\frac{2}{4}$
 ANGLE OF THROW $\frac{30}{(30^\circ \text{ OR } 60^\circ)}$

SYMBOLS USED IN MARKING PRINT



OUTLINE ROTOR BLADES AS SHOWN ABOVE WITH SWITCH IN EXTREME COUNTER-CLOCKWISE POSITION



SHORTING CONTACT
All others are non-shorting

CUSTOMER NOTES

SPECIFICATIONS

SHORTING TYPE CONTACTS NON-SHORTING IF NOT SPECIFIED SHORTING TYPE WILL BE SUPPLIED.
 INSULATION: $\frac{1}{16}$ BAKELITE $\frac{1}{8}$ MYCALEX SPECIFY IMPREGNATION IF REQUIRED.
 FINISH REQUIREMENTS: COMMERCIAL ; ARMY ; NAVY ; SALT TEST (IF ANY GIVE DETAILS).
 CONTACTS AND ROTORS: SILVER PLATED BRASS ; SOLID SILVER ALLOY ; IF NOT SPECIFIED SILVER PLATED BRASS WILL BE SUPPLIED.
 MOUNTING HARDWARE: SUPPLY $\frac{1}{8}$ " . 32 NUTS $\frac{1}{2}$ " ACROSS FLATS; MATERIAL brass PLATING Nickel
 $\frac{1}{8}$ " INTERNAL TOOTH LOCKWASHER; MATERIAL brass PLATING Nickel
 STAMP PART NUMBER SW-208 ON FRONT PLATE, YES NO
 (NUMBER)

SWITCH, ROTARY MODEL ATS-MCU-2	
THE TECHNICAL MATERIAL CORPORATION MAMARONECK, NEW YORK	
DATE <u>1-17-58</u>	CHKD. <u>SPF</u>
DRAWN <u>[Signature]</u>	APPD. <u>[Signature]</u> <u>AJT</u>
SHEET <u>OF</u>	NO. <u>SW-208</u> <u>A</u>

DATE 1-17-58