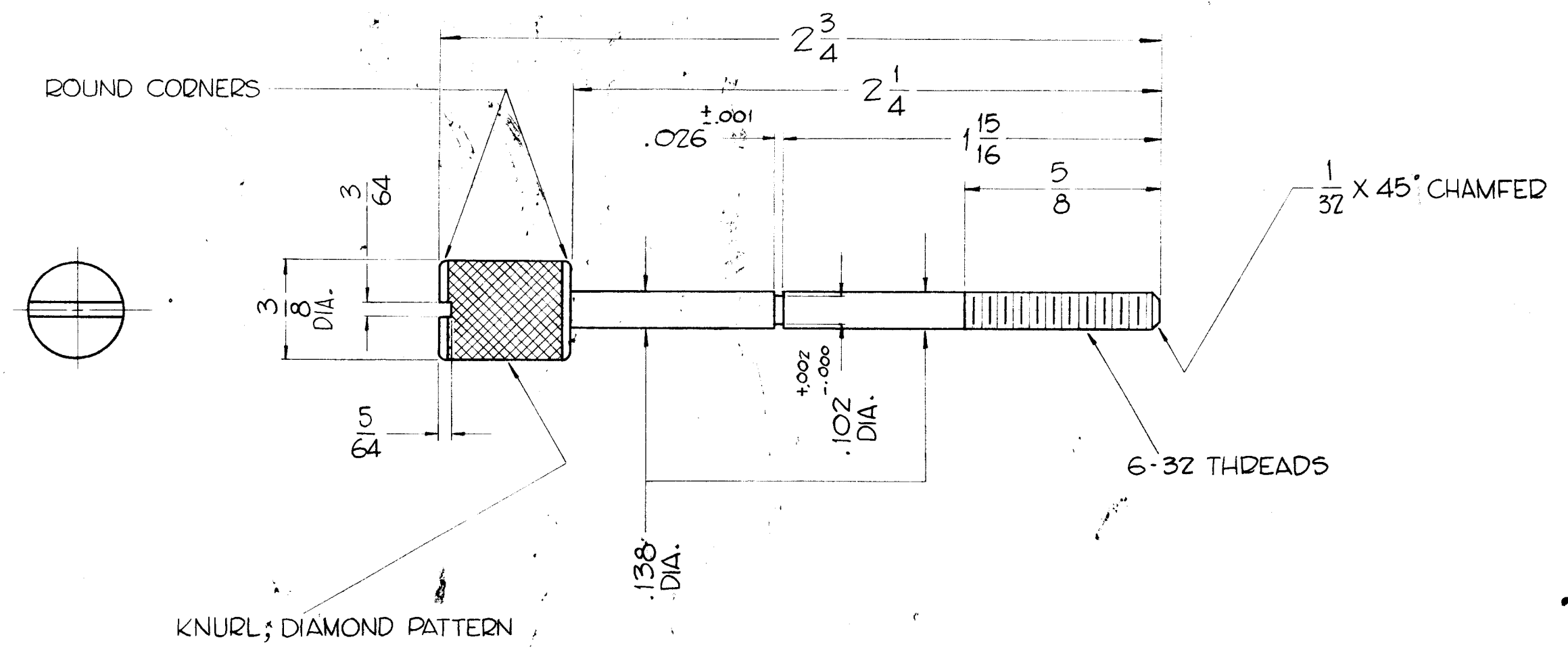


SM-151 A

THE CONTENTS OF THIS DRAWING ARE THE EXCLUSIVE PROPERTY OF THE TECHNICAL MATERIEL CORP. ITS UNAUTHORIZED USE OR REPRODUCTION IN WHOLE OR IN PART IS STRICTLY FORBIDDEN.

ALL DIMENSIONS SHOWN ON THIS DRAWING  
 THE TECHNICAL MATERIEL CORP. does not claim proprietary rights in the design shown hereon. This drawing is issued in confidence for the use of the customer only and shall not be reproduced, stored in a retrieval system, or transmitted in any form or by any means, electronic, mechanical, photocopying, recording, or by any information storage and retrieval system, without the prior written permission of the Technical Materiel Corp.



A	DIM 5/64 WAS 3/64	5-13-63	8976	[Signature]	[Signature]	[Signature]
SYM	DESCRIPTION	DATE	CH. NO.	DRAFTS	CHECKER	ENG. APP.
UNLESS OTHERWISE SPECIFIED:		SCALE: — DO NOT SCALE —				
DIMENSIONS ARE IN INCHES		MAXIMUM ALLOWABLE TOLERANCES HAVE BEEN DETERMINED AND ANY DEVIATIONS WILL BE CAUSE FOR REJECTION.				
TOLERANCES ON FRACTIONS ± 1/64 DECIMALS ± .005 ANGLES ± 1/2°		REMOVE ALL BURRS AND SHARP EDGES				

14	HFI-1			11-29-61
8	SBS-1			11-29-61
REQ. PER UNIT	MODEL	SECTION	ASS'Y. NO.	DATE
USED ON				

REQ.	ITEM	PART NO.	M. GELLMAN	DESCRIPTION	SYMBOL
	3/8 DIA. BAR			THE TECHNICAL MATERIEL CORP., MAMARONECK, NEW YORK	
	STAINLESS STEEL			SCREW, RETAINING	
	303		John C. Biele	R LITZZO	[Signature]
	PASSIVATE				SM-151 A