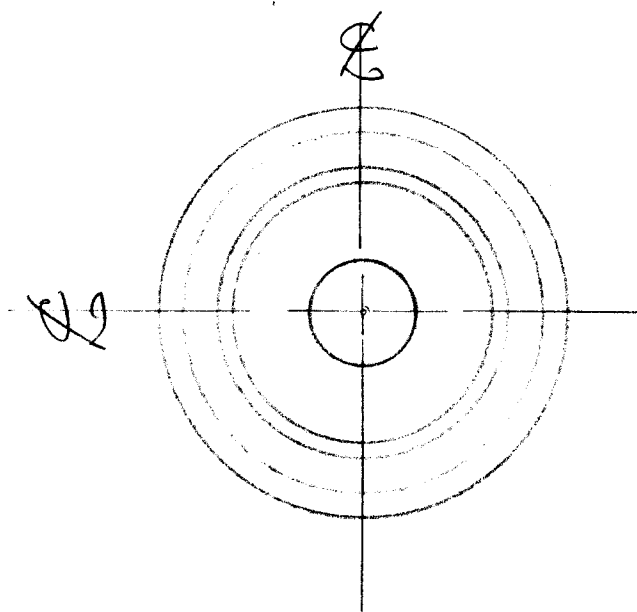
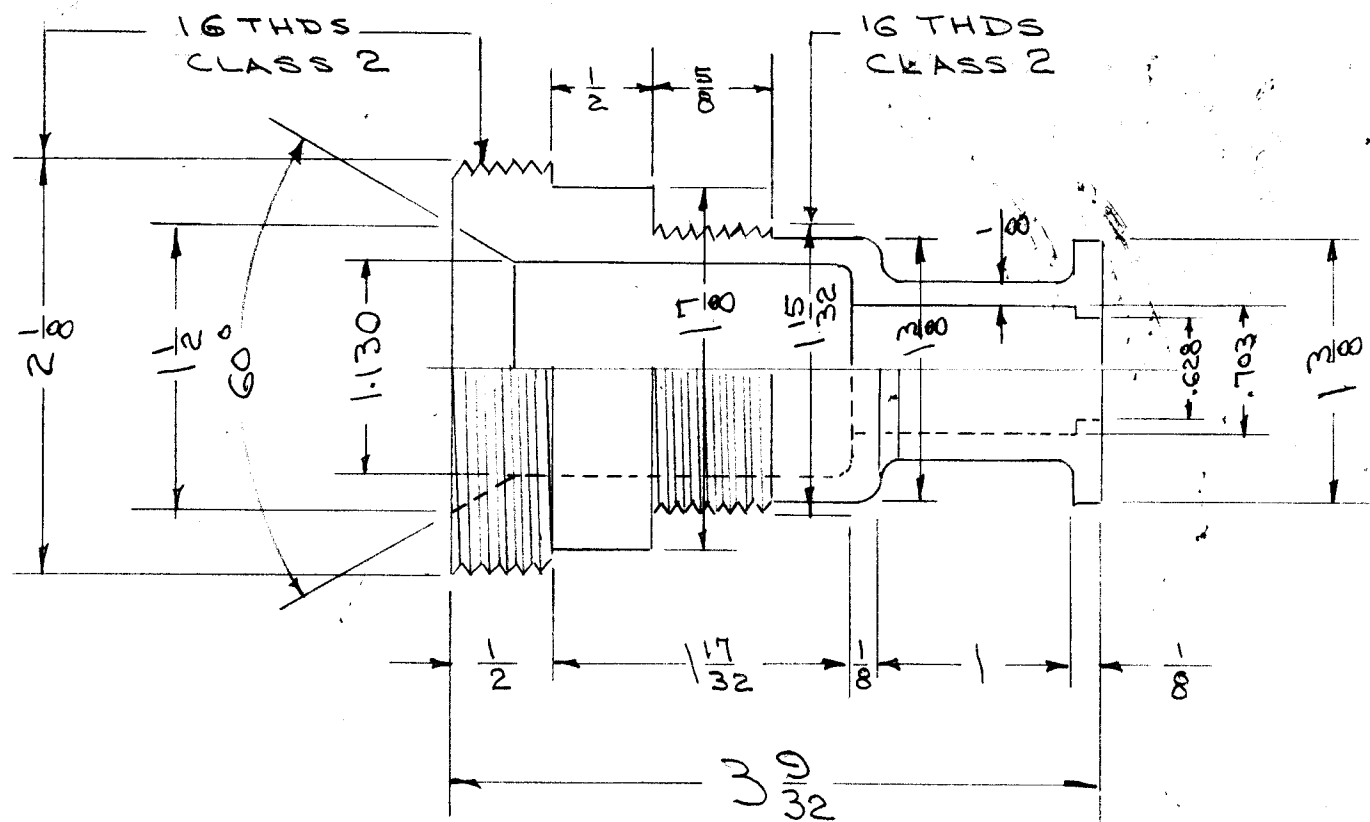


SM-144

NOTICE TO PERSONS RECEIVING THIS DRAWING

THE TECHNICAL MATERIEL CORPORATION claims proprietary right in the material disclosed hereon. This drawing is issued in confidence for engineering information only and may not be reproduced or used to manufacture anything shown hereon without permission from THE TECHNICAL MATERIEL CORPORATION to the user. This drawing is loaned for mutual assistance and is subject to recall at any time.

Property of:
THE TECHNICAL MATERIEL CORPORATION
MAMARONECK, NEW YORK



NOTE:
DIMENSIONS SHOWN ARE AFTER PLATING

ISSUE	ITEM	CHANGED FROM	DATE	CH. NO.	DRAFTS	CHECKER	ENG. APP.
TOLERANCES		SCALE:					
DEC. DIM. ± .005		MAXIMUM ALLOWABLE TOLERANCES HAVE BEEN DETERMINED AND ANY DEVIATIONS WILL BE CAUSE FOR REJECTION. REMOVE ALL BURRS AND SHARP EDGES					
FRAC. DIM. ± 1/64							
ANGULAR DIM. ± 1°							

REQ. PER UNIT	MODEL	PROJECT NO.	ASS'Y. NO.	DATE
1			P/O A-1457	8-30-57

REQ. ITEM	PART NO.	DESCRIPTION	SYMBOL
CASTING		THE TECHNICAL MATERIEL CORP. MAMARONECK, NEW YORK	
STOCK SIZE			
BRASS		ADAPTOR BODY	
MATERIAL			
FREE MACHINING			
TYPE & TEMPER	HEAT TREAT. SPEC.	DRAWN	CHECKED
S105 CADMIUM PLATE			
.0002 THICK			
FINISH & SPEC. NO.	ELEC. DES. APP.	MECH. DES. APP.	
			A. J. J.
			SM-144