

DATE <u>8/24/68</u>		TMC SPECIFICATION NO. S 712
SHEET <u>1</u> OF _____		
AA COMPILED	<u>LB</u> CHECKED	TITLE: TEST PROCEDURE, MODEL TRC-3500/52B/52U
<u>LB</u> APPROVED		

TEST PROCEDURE  
MODEL TRC-3500/52B/52U

DATE 8/29/62

SHEET 2 OF

## TMC SPECIFICATION NO. S 712

AA  
COMPILED

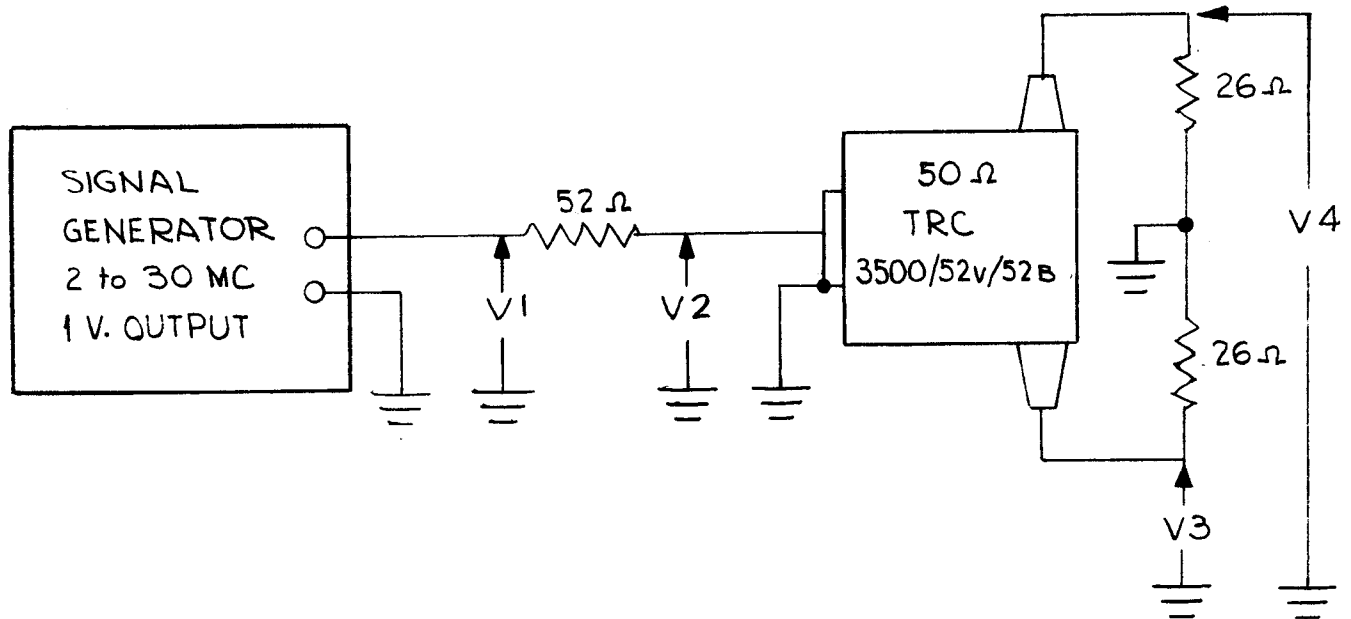
CHECKED

TITLE: TEST PROCEDURE, MODEL TRC-3500/52B/52U

APPROVED

1. FREQUENCY RESPONSE:

## Test Set-Up



## NOTE:

THE TRANSFORMER IS TO BE TESTED FOR % OF UNBALANCE AND INPEDANCE MEASUREMENTS OUT OF ITS CASE. IT IS TO BE GIVEN A SHORT CIRCUIT TEST AFTER IT IS CASED AND POTTED.

TEST DATA

fmcs	V1	V2	V3	V4
2	1.0	Record V2, V3, and V4		
4	1.0	and make sure the percent		
12	1.0	of unbalance of V3 and V4		
20	1.0	is less than 15-%		
30	1.0			

DATE 8/29/62

SHEET 3 OF

## TMC SPECIFICATION NO. S 712

AA  
COMPILED

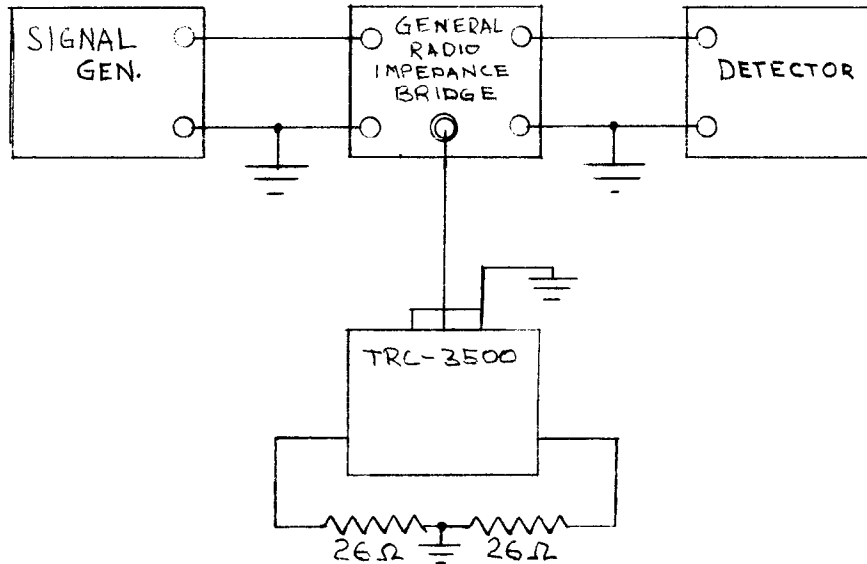
CHECKED

TITLE: TEST PROCEDURE MODEL TRC-3500/52B/52U

APPROVED

2. IMPEDANCE MEASUREMENTS:

## Test Set-Up

TEST DATA +10% (EXAMPLE)

fmcS	RS	XS
2.0	30	+22
4.0	37	+20
12.0	62	+31
24	78	+23
30	75	-20
30		

DATE 8/29/62

SHEET 4 OF

TMC SPECIFICATION NO. S 712

AA  
COMPILED

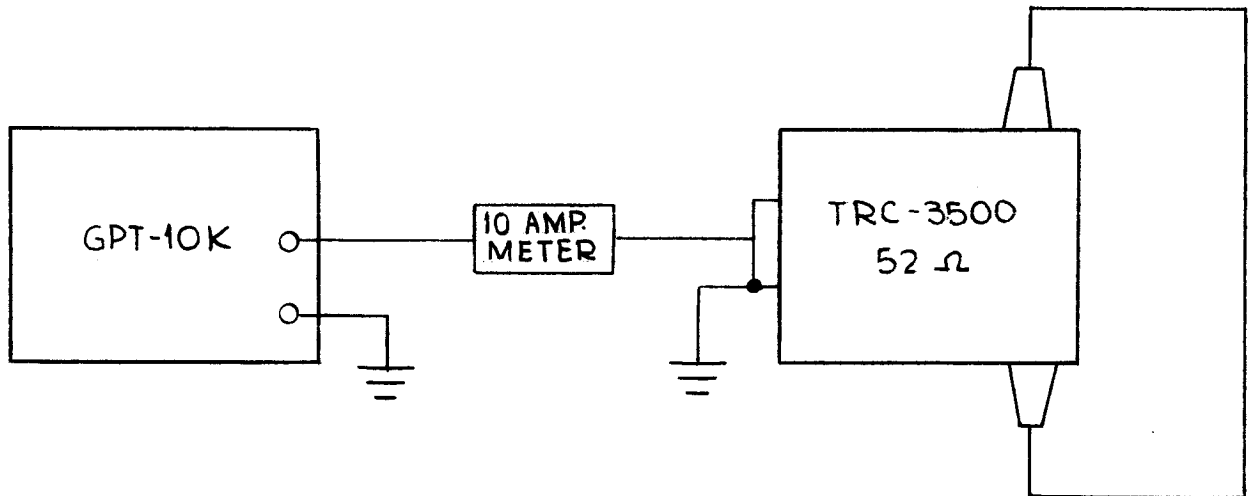
CHECKED

TITLE: TEST PROCEDURE MODEL TRC-3500/52B/52U

APPROVED

3. POWER TEST

3-A. ~~Short Circuit Test~~



At .8mc load transmitter until input current meter reads 5.9  
amps operate for 1 minute

DATE 8/29/62  
SHEET 5 OF     

# TMC SPECIFICATION NO. S 712

AA  
COMPILED

CHECKED

TITLE: TEST PROCEDURE MODEL TRC-3500/52B/52U

APPROVED

1. FREQUENCY RESPONSE:

FMCS	V1	V2	V3	V4
2.0	1.0			
4.0	1.0			
12.0	1.0			
20.0	1.0			
30.0	1.0			

2. IMPEDANCE MEASUREMENTS:

FMCS	RS	XS	SWR
2.0			
4.0			
12.0			
24			
30			

3. Primary to Secondary DC. Insulation breakdown to 12KV \_\_\_ check
4. Short Circuit Test \_\_\_ check.