

DATE: 10/24/51
SHEET: 1 of 16
COMPLETED: *aa*
CHECKED: *aa*
APPROVED: *aa*

TMC SPECIFICATION NO. S-611

TITLE: TEST PROCEDURE, MODEL TRC-5K-50-600

TEST PROCEDURE
MODEL TRC-5K-50-600

DATE 10/24/54

SHEET

TMC SPECIFICATION NO. S-611

B

COMPILED

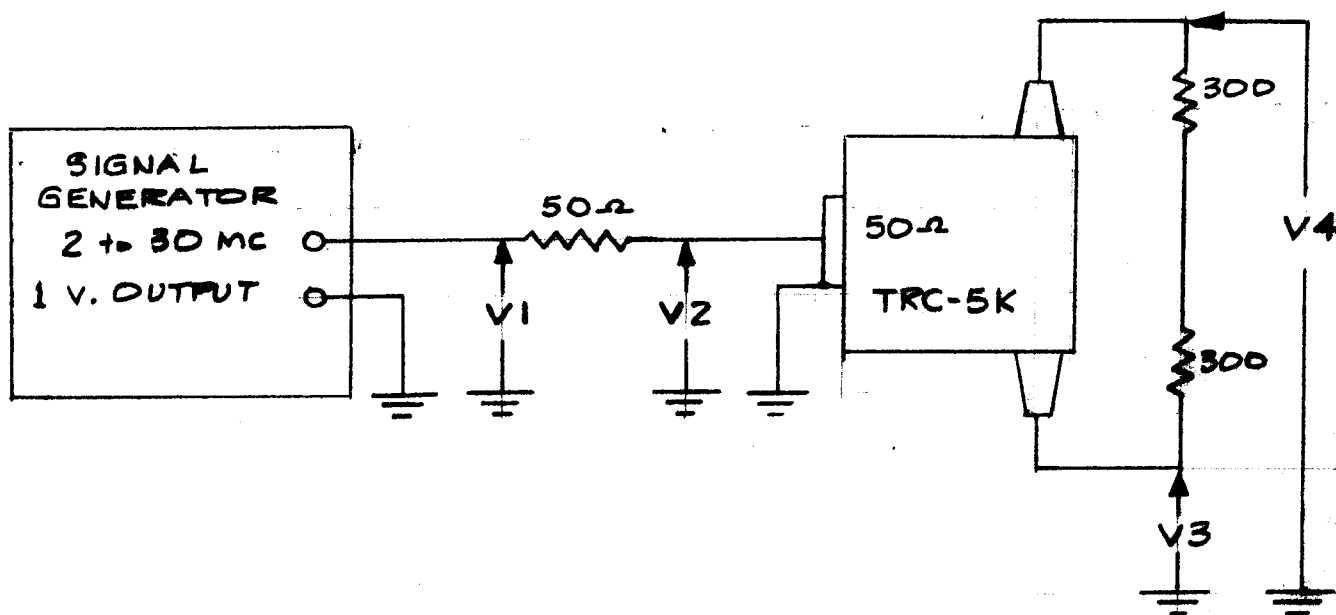
CHECKED

TITLE: TEST PROCEDURE, MODEL TRC-5K

APPROVED

1. FREQUENCY RESPONSE:

Test Set-Up



NOTE:

The Transformer is to be tested for % of unbalance and impedance measurements out of its case. It is to be tested for open circuit and short circuit after it is cased and potted.

TEST DATA

fmc's	V1	V2	V3	V4
2.0	1.0	Record V2, V3, and V4 and make sure the percent of unbalance of V3 and V4 is less than 10%.		
4.0	1.0			
12.0	1.0			
20.0	1.0			
24.0	1.0			
30.0	1.0			

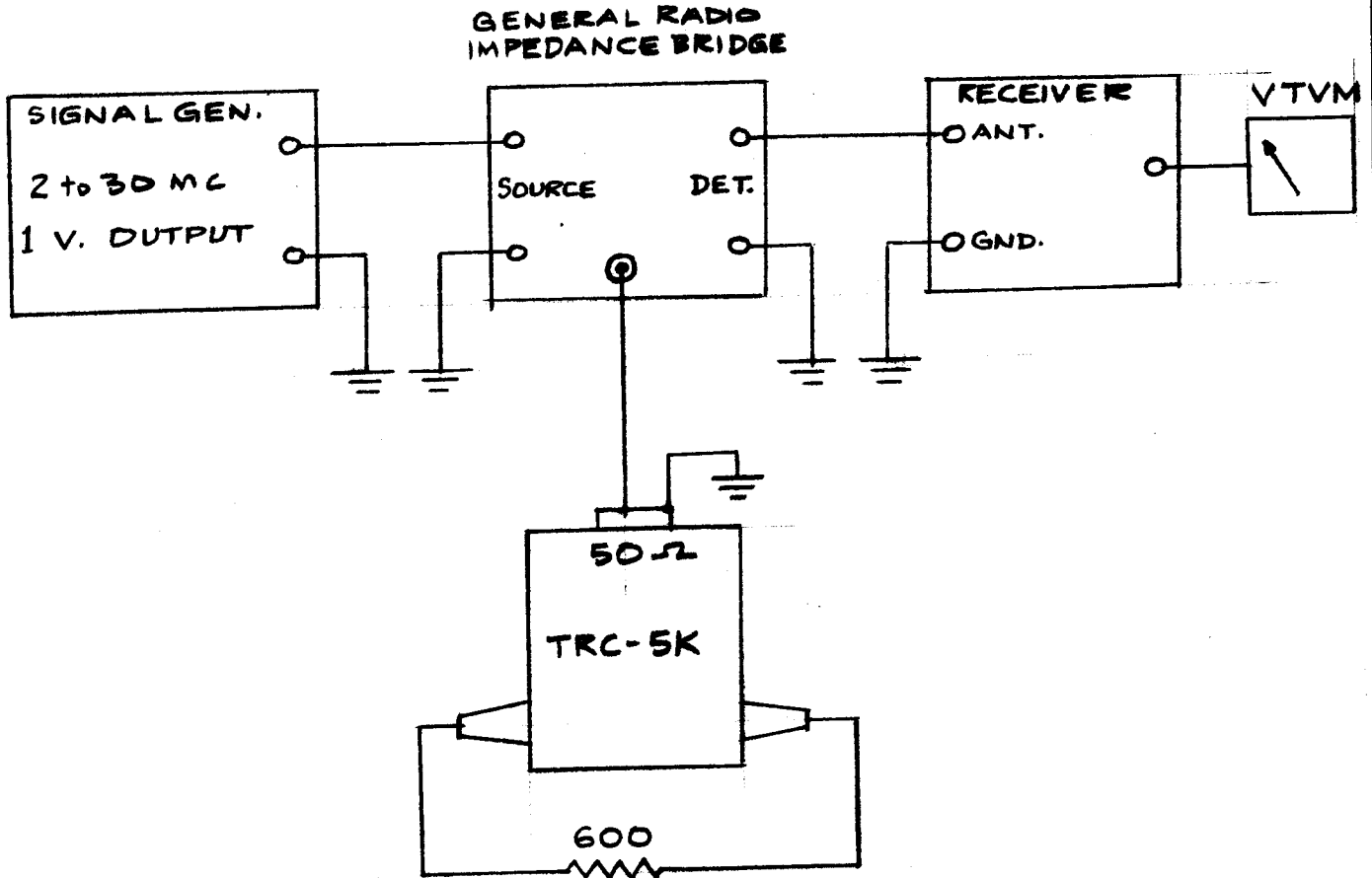
COMPILED CHECKED

TITLE: TEST PROCEDURE, MODEL TRC-5K-50-600

APPROVED

2. IMPEDANCE MEASUREMENTS:

Test Set-up



EXAMPLE TEST DATA

fmc	Rs	Xs	SWR
2.0	82	+J20	1.8
4.0	89	0	1.78
12.0	54	-J21	1.49
20.0	40	0	1.25
24.0	37	+J6.5	1.4
30.0	47	+J30	1.84

The SWR readings should be within +10% of 2 to 1

NOTE: Alternate method of determining SWR may be used as per QA-5009.

DATE 10/24/61
SHEET 4 OF 6

TMC SPECIFICATION NO. S-611

B

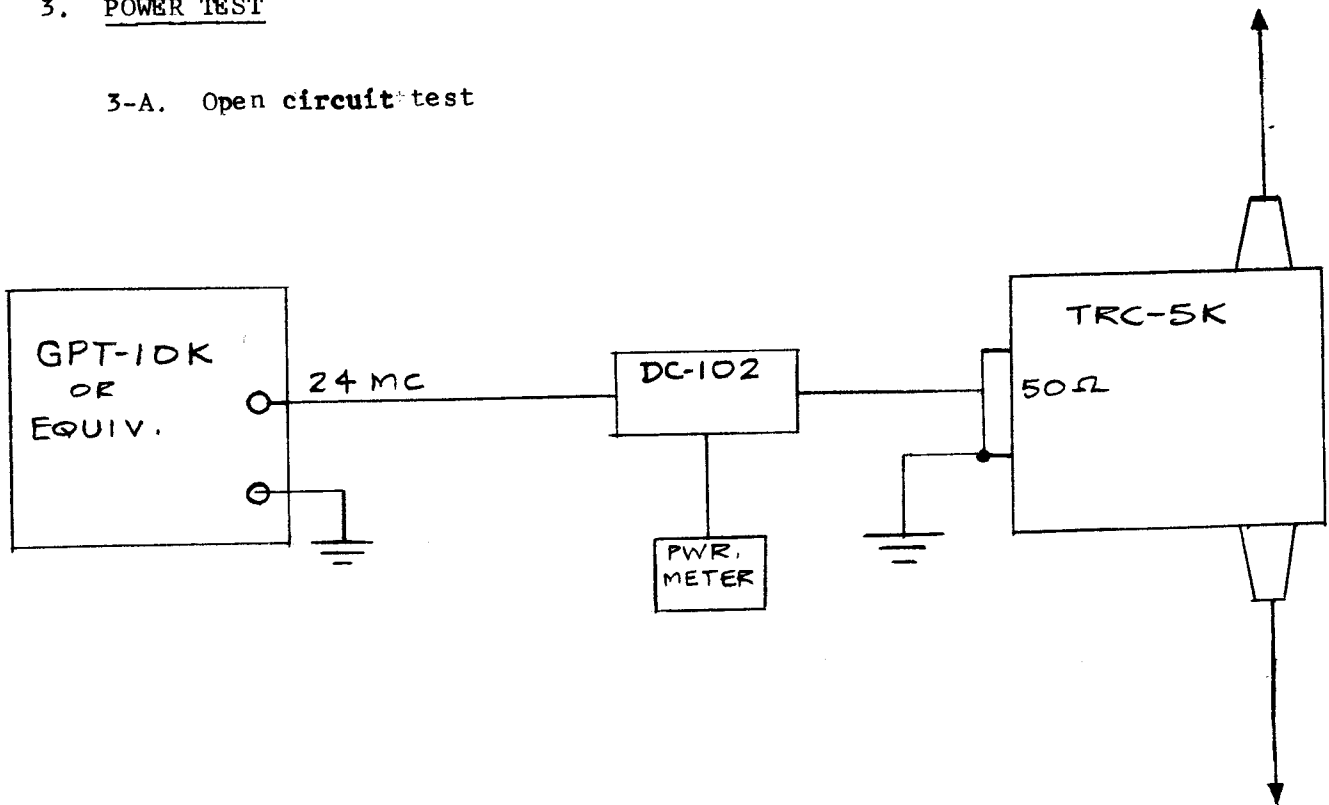
COMPILED CHECKED

TITLE: TEST PROCEDURE, MODEL TRC-5K-50-600

APPROVED

3. POWER TEST

3-A. Open circuit test



Drive transmitter until DC-102 meter reads 5 KW.
Operate for five minutes on 24 MC.

DATE 10/24/61
SHEET 5 OF 6

TMC SPECIFICATION NO. S-611

B

COMPILED

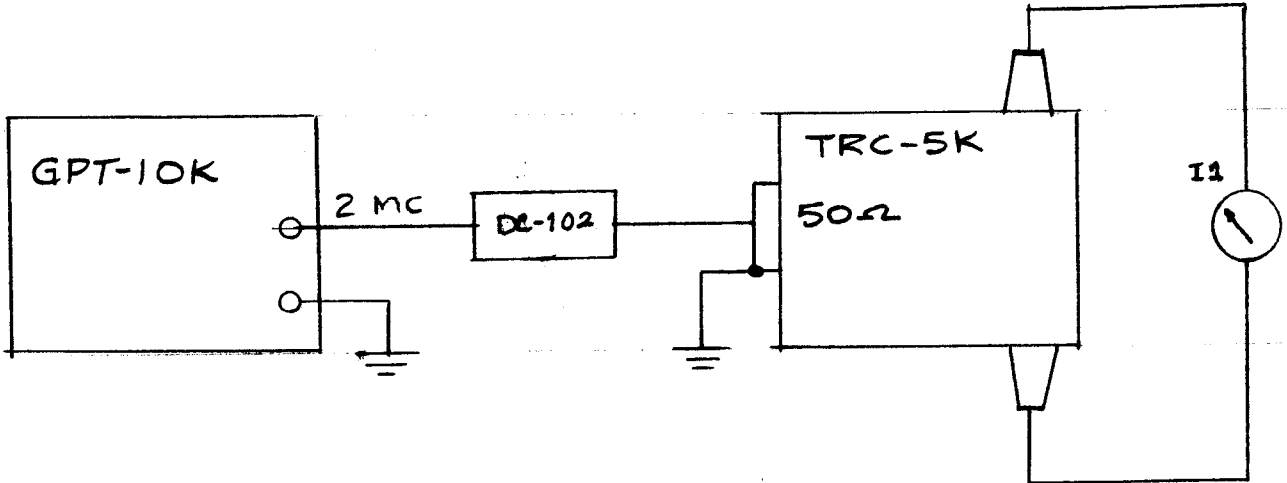
CHECKED

TITLE: TEST PROCEDURE, MODEL TRC-5K-50-600

APPROVED

POWER TEST (Cont'd.)

3-B. Short Circuit Test



At 8 mc load transmitter until 5 kw indication is obtained at DC-102.
Record I1 and operate for one minute.

DATE 10/24/61
 SHEET 6 OF 6

TMC SPECIFICATION NO. S-611

B

COMPILED

CHECKED

TITLE: TEST PROCEDURE, MODEL TRC-5K-50-600

APPROVED

1. FREQUENCY RESPONSE:

fmcS	V1	V2	V3	V4
2.0	1.0			
4.0	1.0			
12.0	1.0			
20.0	1.0			
30.0	1.0			

2. IMPEDANCE MEASUREMENTS:

fmcS	Rs	Xs	SWR
2.0			
4.0			
12.0			
20.0			
30.0			

NOTE: If Rho-tector method is used to determine SWR, Rs and Xs may be omitted.

3. OPEN CIRCUIT TEST:

OUTPUT	Check
5KW	

4. SHORT CIRCUIT TEST:

DC-102	I1
5 kw	

REVISION SHEET

THE TECHNICAL MATERIEL CORP.
MAMARONECK NEW YORK

S-611

LIST NO.

DATE	REV.	SHEET	EMN #	DESCRIPTION	APP.
2/20/63	A	1	8347	On "FMCS", Chg. 28.0 to 30.0	
		2		Chg. R's to X's values	
				On "FMCS", Chg. 28.0 to 30.0	
				Add note: The SWR readings should be within +10% of 2 to 1	
				Chg. title: from; "Test Data +10%" to; "Example Test Data"	
		5		On Freq. Response chart, Chg. 24.0 to 30.0	
				On Imped. Measur. chart, Chg. 24.0 to 30.0	
				Add SWR column on item 2 CHART	
1/21/66	B	3,6	15636	Revised per EMN	Tg