

DATE 10/12/55

SH. 1 OF 1

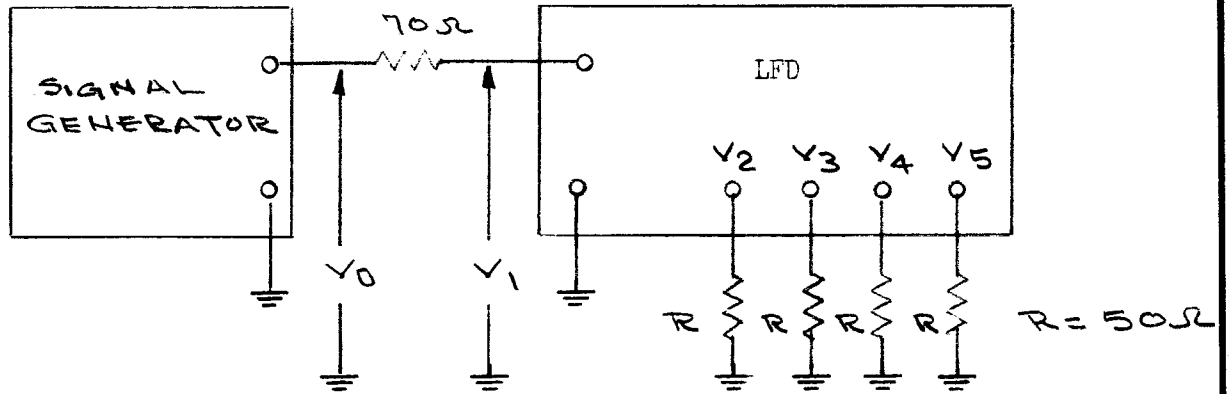
COMPILED BY  
A.R.B.

TMC SPECIFICATION NO. S-270

TITLE: RELATIVE RESPONSE - MODEL LFD

JOB

APPROVED *ARB*



RESPONSE

<u>Freq. (kc.)</u>	<u><math>V_0</math></u>	<u><math>V_1</math></u>	<u><math>V_2</math></u>	<u><math>V_3</math></u>	<u><math>V_4</math></u>	<u><math>V_5</math></u>
15	1.0	.44	.10	.10	.10	.10
30	1.0	.48	.14	.14	.14	.14
60	1.0	.52	.16	.16	.16	.16
120	1.0	.53	.16	.16	.16	.16
250	1.0	.54	.16	.16	.16	.16
500	1.0	.55	.15	.15	.15	.15
1000	1.0	.62	.15	.15	.15	.16
2000	1.0	.68	.14	.14	.14	.15