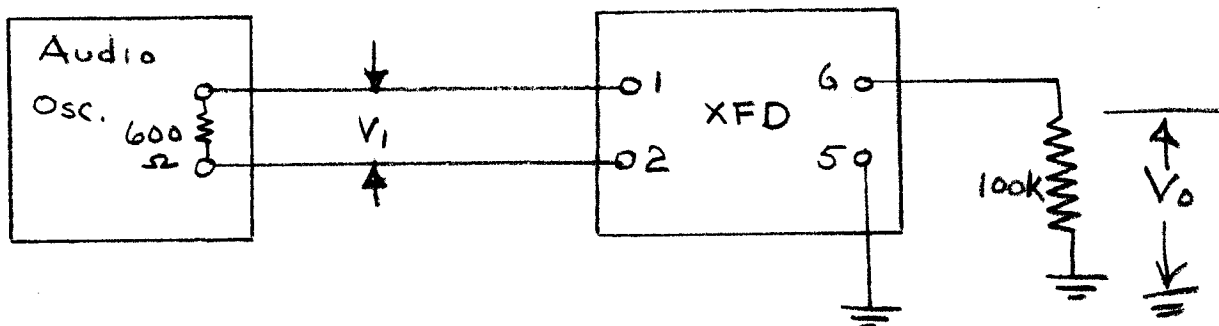


APPROVED

I

1. Set space control Max ↻
2. " mark " ↻
3. S₁ To Transmit.
4. Setup Following Set up.



Hold V_i at 5V

Z_i for 1800 w carrier

f _w	V _o volts (dc)
100	25
200	25.4
400	25.2
800	24.5
1800	24.5

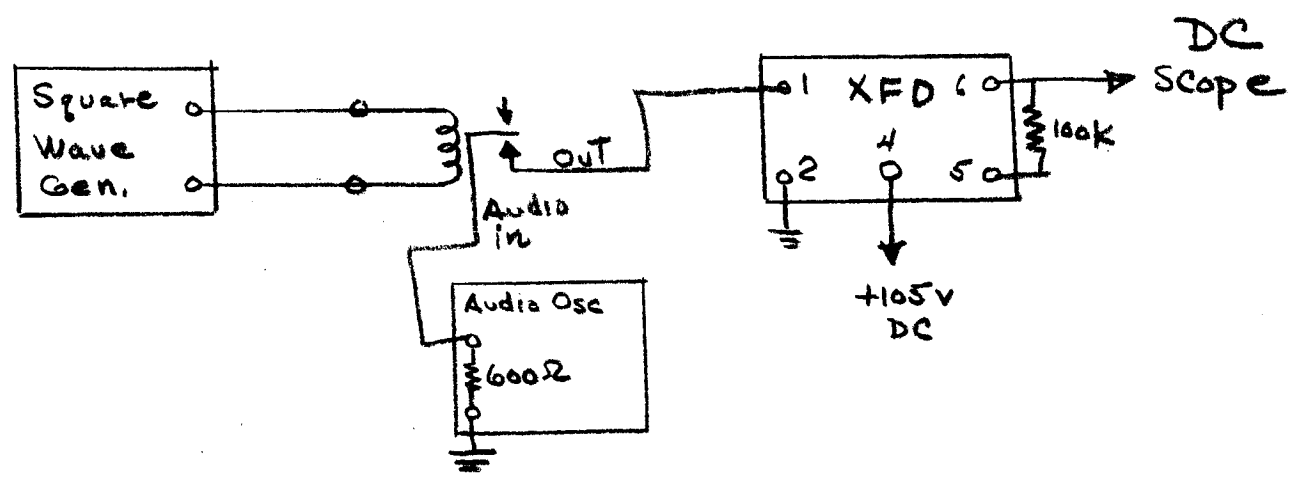
Z_i for 1500 w carrier

f _w	V _o volts dc
100	24.5
200	24.8
400	24.5
800	24.2
1500	24.5

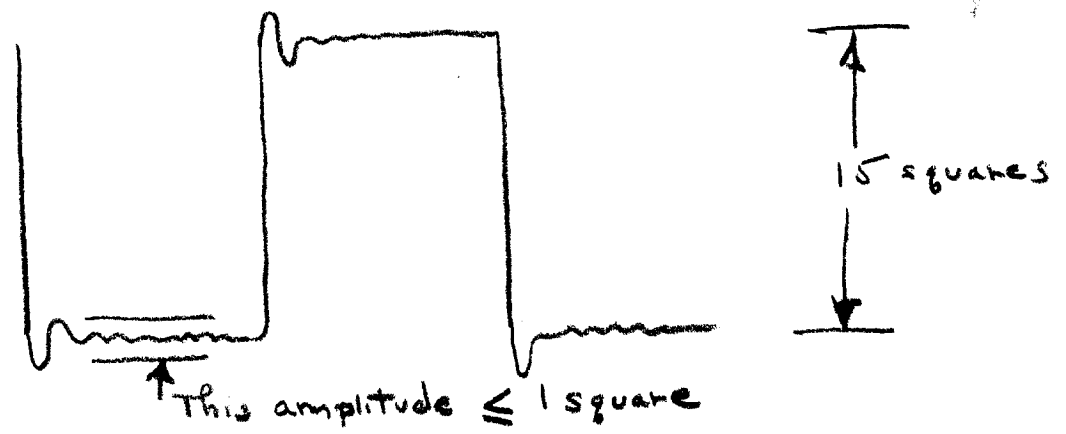
Switch S₁ To standby - output voltage should fall to zero.

APPROVED

II Keying Test



set Square Wave Gen To 25 μ 25 volt output



- a) Audio osc at 1800 ω
- b) Audio osc at 1500 ω (modifying Z_1 accordingly)

When mark pot is turned \curvearrowright figure is displaced in a positive direction.