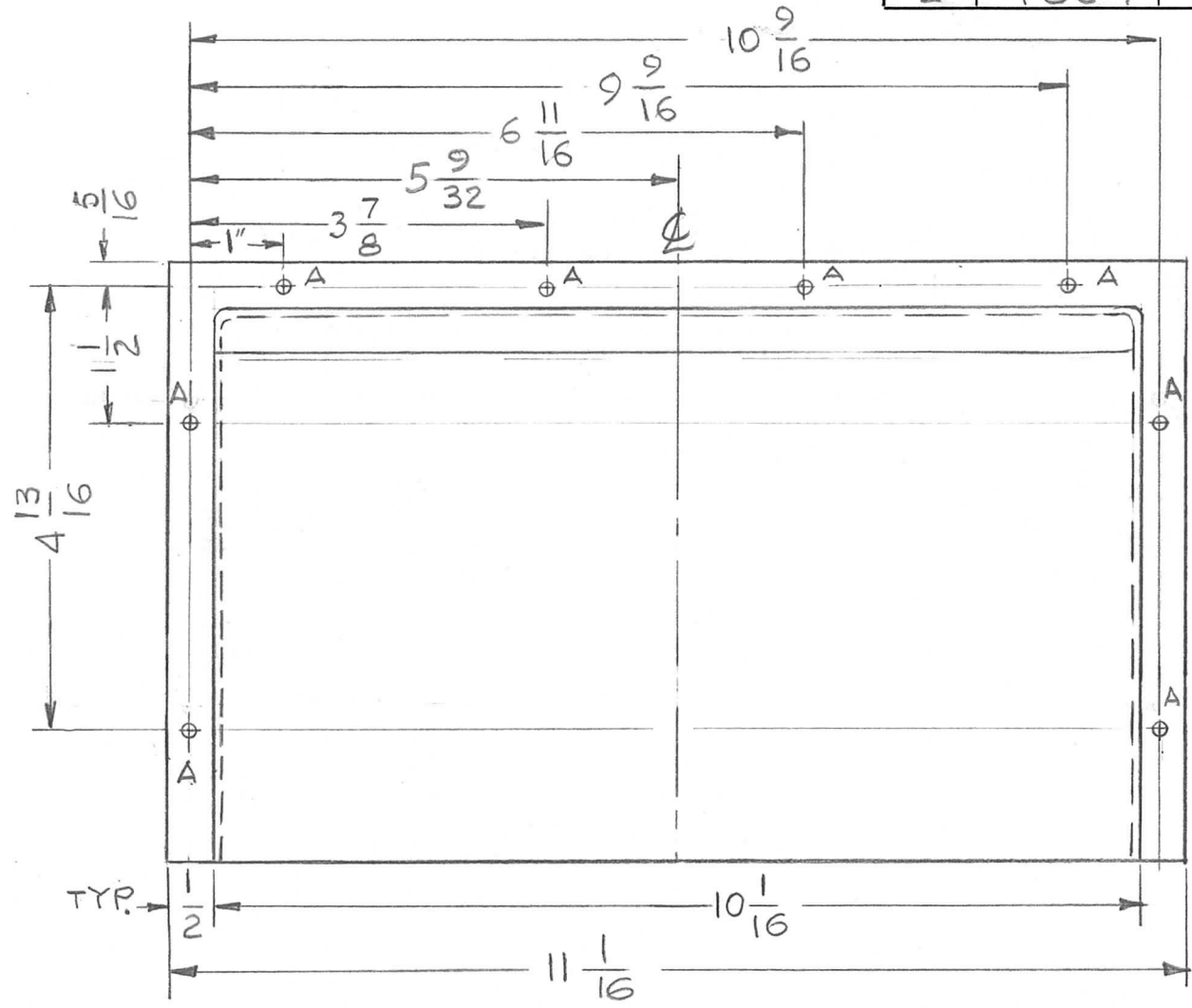
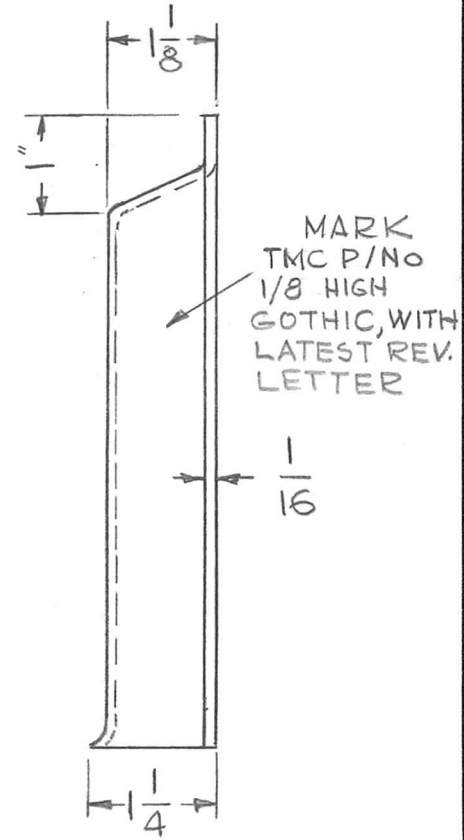


REQ. PER UNIT	USED ON		
	MODEL	ASS'Y. NO.	DATE
2	TOC-7	A5434	2-17-66

PX 971 \emptyset



HOLE
A - 9/64 DIA. 8 REQ.



MARK
TMC P/NO
1/8 HIGH
GOTHIC, WITH
LATEST REV.
LETTER

							REQ. ITEM	PART NO.	POSE	DESCRIPTION	SYMBOL		
									THE TECHNICAL MATERIEL CORP. MAMARONECK, NEW YORK				
									FLUE, AIR				
									FIBERGLASS				
									MATERIAL				
									G.D.L. 2-17-66				
									TYPE & TEMPER	HEAT TREAT. SPEC.	DRAWN	CHECKED	FINAL APPROVAL
									5756 SYN GY ENAMEL				
									FINISH & SPEC. NO.	ELEC. DES. APP.	MECH. DES. APP.		
												PX 971	\emptyset

UNLESS OTHERWISE SPECIFIED
DIMENSIONS ARE IN INCHES AND INCLUDE
CHEMICALLY APPLIED OR PLATED FINISHES

SCALE 1:2

DATE 2/20/66

CH. NO. C.V.

DRAFTS CHECKER ENG. APP.

DECIMALS .X ± .05 .XX ± .01 .XXX ± .005

FRACTIONS ± 1/64 ANGLES ± 0° 30'

TOLERANCES A