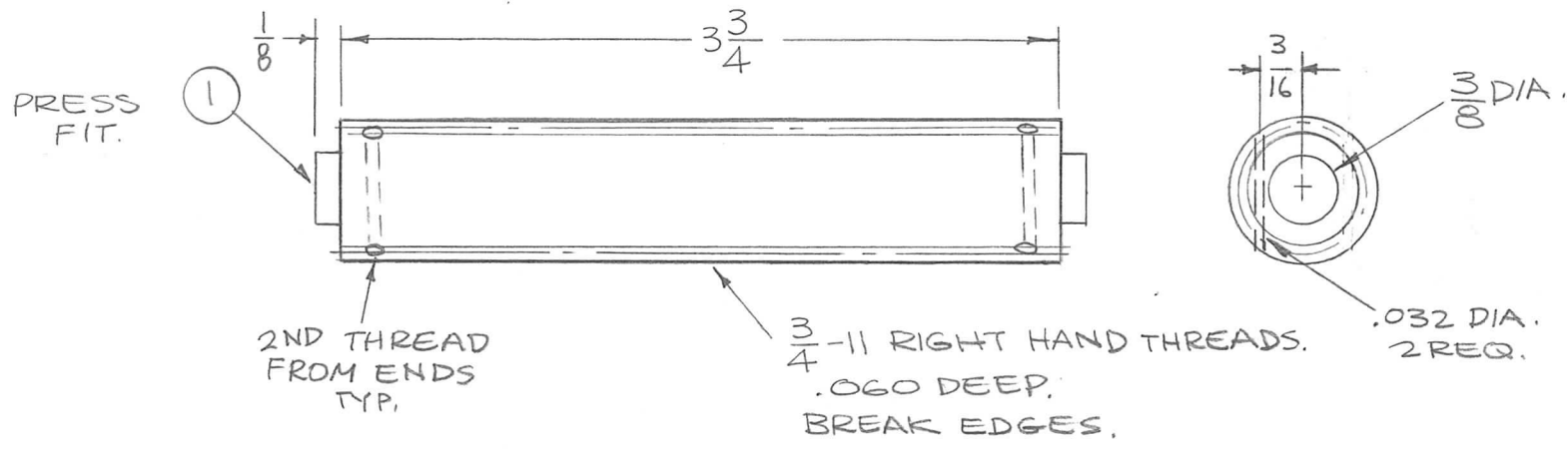


REQ. PER UNIT	USED ON			PX905	B
	MODEL	ASS'Y. NO.	DATE		
2	TLAA-2.5K		10-24-66		



							1	1	TE1032GR4.00R6	SPACER, THREADED		
							REQ. ITEM	PART NO.		F. BUDETTI	DESCRIPTION	SYMBOL
							3/4 DIA.		THE TECHNICAL MATERIEL CORP. MAMARONECK. NEW YORK			
							STOCK SIZE		SPACER, COIL			
							TEFLON		MATERIAL			
B	REDRAWN & REVISED	10-24-66	17123	<i>MA</i>		<i>OB</i>	TFE		<i>MA</i>	<i>OB</i>	<i>OB</i>	
SYM	DESCRIPTION	DATE	CH. NO.	DRAFTS	CHECKER	ENG. APP.	TYPE & TEMPER		HEAT TREAT. SPEC.	DRAWN	CHECKED	FINAL APPROVAL
UNLESS OTHERWISE SPECIFIED DIMENSIONS ARE IN INCHES AND INCLUDE CHEMICALLY APPLIED OR PLATED FINISHES		SCALE 1:1					NATURAL				PX905 B	
DECIMALS .X ± .05 .XX ± .01 .XXX ± .005		TOLERANCES		FRACTIONS ± 1/64 ANGLES ± 0° 30'		CODE A	FINISH & SPEC. NO.		ELEC. DES. APP.	MECH. DES. APP.		