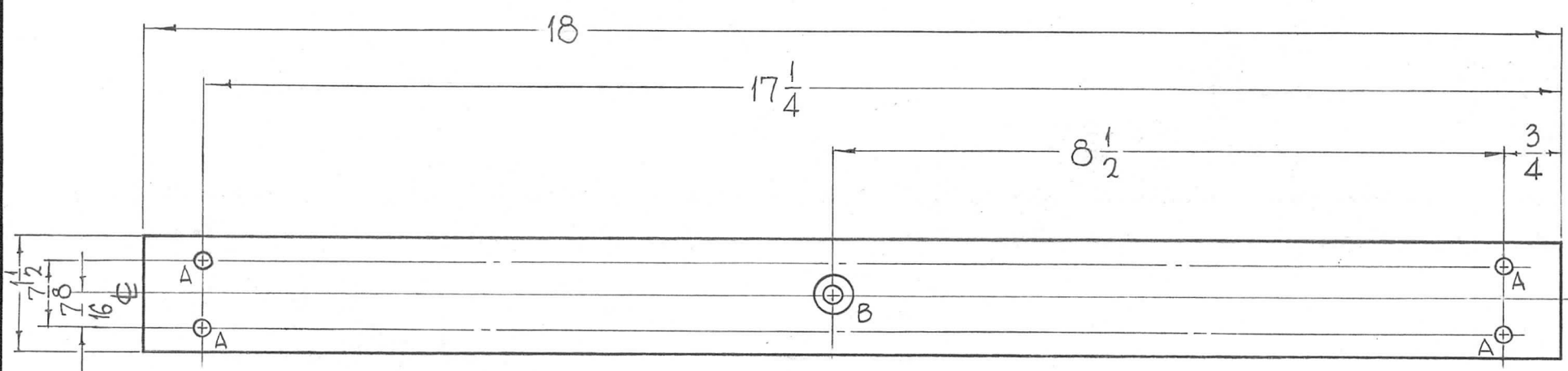
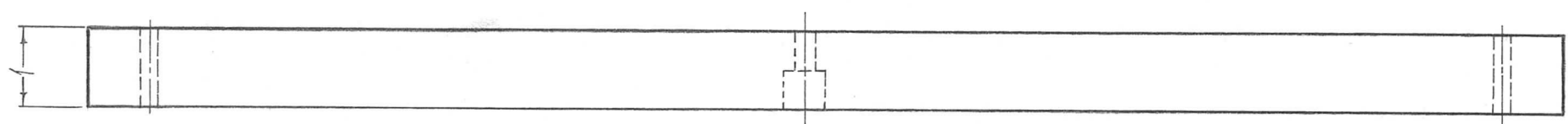


HOLES A- 13/64 DIA. 4 REQ. B- DRILL 15/64 THRU, C'BORE 1/2 DIA. X 1/2 DP. 1 REQ

REQ. PER UNIT	USED ON		
	MODEL	ASS'Y. NO.	DATE
1	GPT-200K	AS-124	1-6-64

PX-792 Ø



							REQ. ITEM	PART NO.	F. BUDETTI	DESCRIPTION	SYMBOL
							AS NOTED		THE TECHNICAL MATERIEL CORP.		
							STOCK SIZE		MAMARONECK, NEW YORK		
0	ORIG. RELEASE FOR PROD.	5-16-64		SRG			SUPRAMICA		LEG. SUPPORT, II-2		
SYM	DESCRIPTION	DATE	CH. NO.	DRAFTS	CHECKER	ENG. APP.	MATERIAL				
UNLESS OTHERWISE SPECIFIED DIMENSIONS ARE IN INCHES AND INCLUDE CHEMICALLY APPLIED OR PLATED FINISHES						SCALE	500		John C. Biele	aa	Roe
						TYPE & TEMPER	HEAT TREAT. SPEC.	DRAWN	CHECKED	FINAL APPROVAL	
DECIMALS .X ± .05 .XX ± .01 .XXX ± .005						TOLERANCES	NATURAL			PX-792 Ø	
FRACTIONS ± 1/64 ANGLES ± 0° 30'						CODE	FINISH & SPEC. NO.	ELEC. DES. APP.	MECH. DES. APP.		
						A					