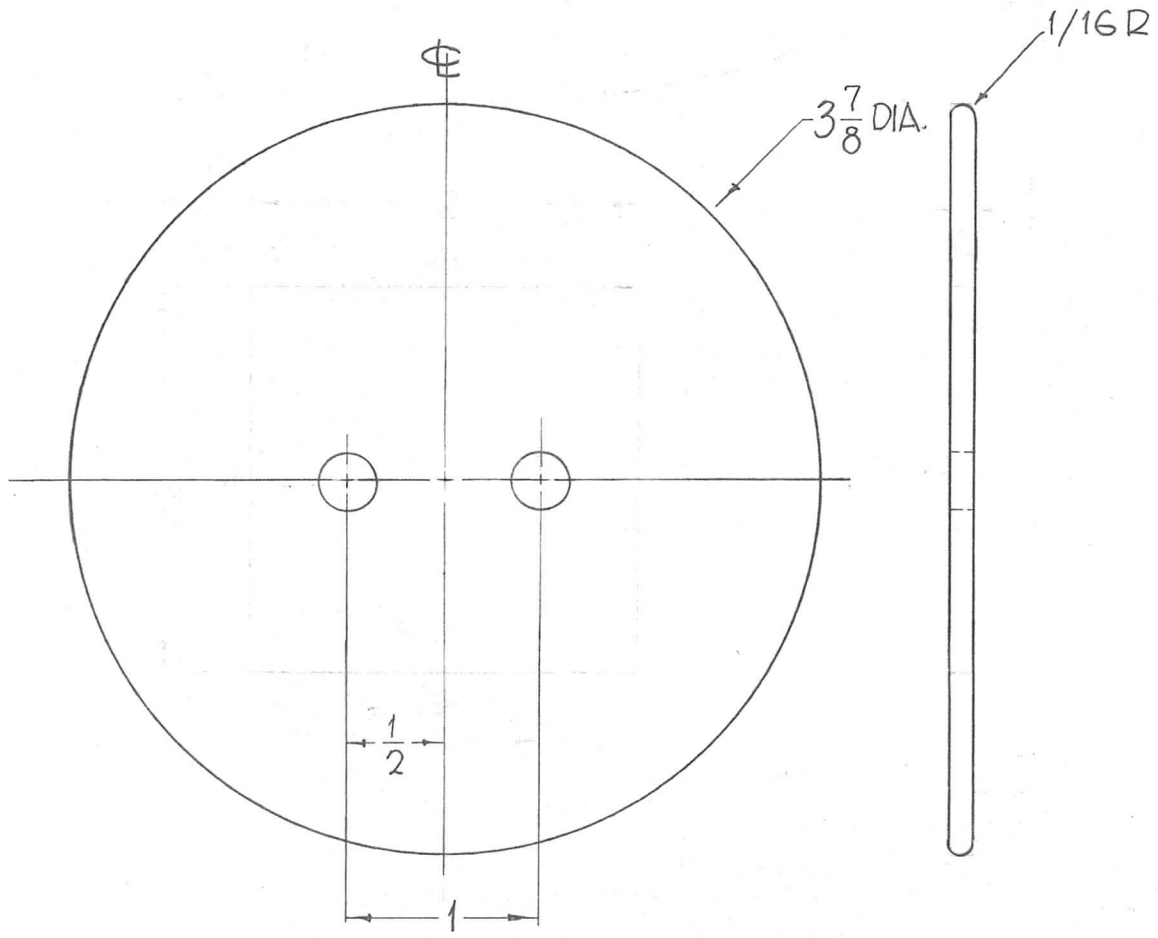


THE CONTENTS OF THIS DRAWING ARE THE EXCLUSIVE PROPERTY OF THE TECHNICAL MATERIEL CORP. ITS UNAUTHORIZED USE OR REPRODUCTION IN WHOLE OR IN PART IS STRICTLY FORBIDDEN.

REQ. PER UNIT	USED ON		
	MODEL	ASS'Y. NO.	DATE
4	GPT-200K	AS-123	12-6-62

PX-712 0



HOLES:  
9/32 DIA. (2REQ.)

							REQ.	ITEM	PART NO.	F. BUDETTI	DESCRIPTION	SYMBOL	
									1/8 THICK	THE TECHNICAL MATERIEL CORP. MAMARONECK, NEW YORK			
									STOCK SIZE	SPACER, SUPPORT BANDSWITCH			
									TEFLON				
									MATERIAL				
0	ORIGINAL RELEASE	5.16.64			WTB					SRG	aa #3	KAC	
X1	1/16R ADDED	11/14/63											
SYM	DESCRIPTION	DATE	CH. NO.	DRAFTS	CHECKER	ENG. APP.							
UNLESS OTHERWISE SPECIFIED:		SCALE: 1" = 1"					TYPE & TEMPER		HEATTREAT. SPEC.	DRAWN	CHECKED	FINAL APPROVAL	
DIMENSIONS ARE IN INCHES		MAXIMUM ALLOWABLE TOLERANCES HAVE BEEN DETERMINED AND ANY DEVIATIONS WILL BE CAUSE FOR REJECTION. REMOVE ALL BURRS AND SHARP EDGES					NATURAL					PX-712	0
TOLERANCES ON							FINISH & SPEC. NO.		ELEC. DES. APP.	MECH. DES. APP.			
FRAC. ± 1/64 DEC. ± .005 ANGLES ± 1/2°													