

THE CONTENTS OF THIS DRAWING ARE THE EXCLUSIVE PROPERTY OF THE TECHNICAL MATERIEL CORP. ITS UNAUTHORIZED USE OR REPRODUCTION IN WHOLE OR IN PART IS STRICTLY FORBIDDEN.

REQ. PER UNIT
2

MODEL
HFR-1

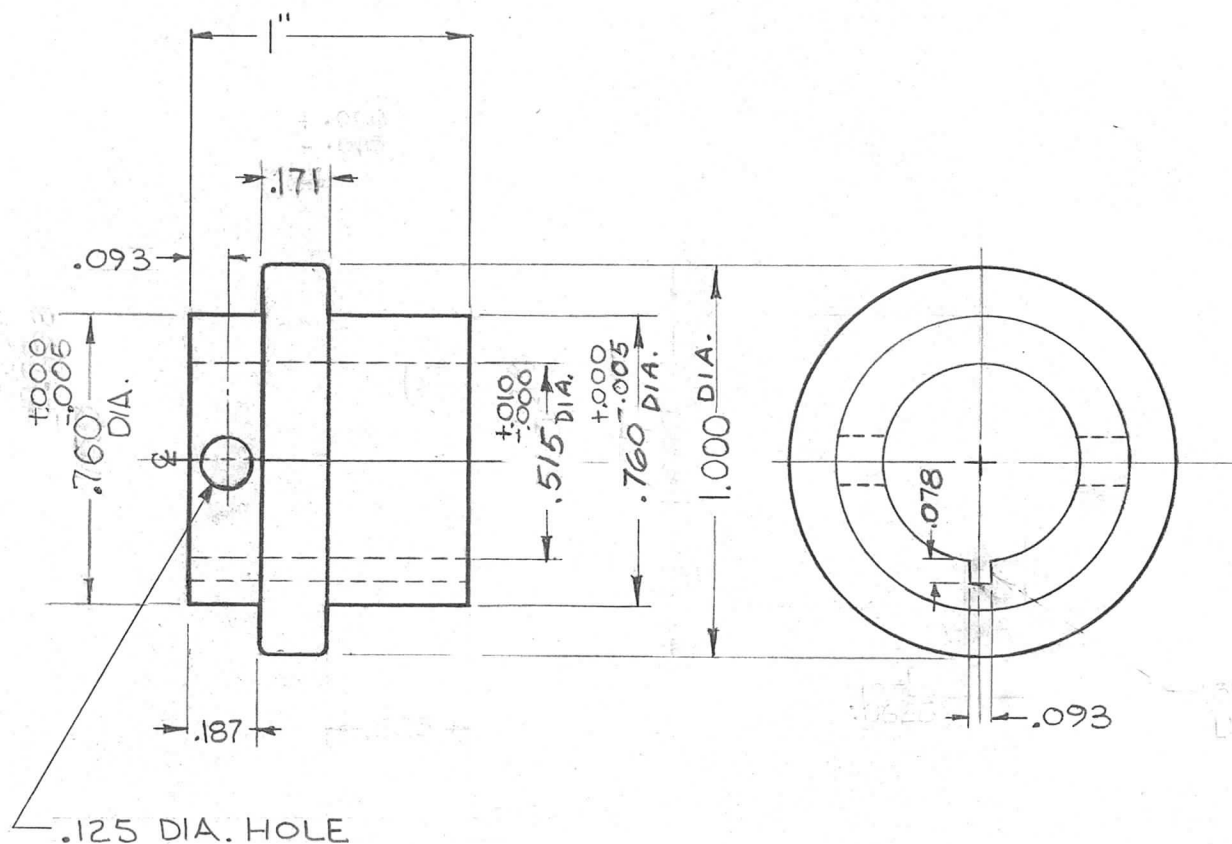
USED ON

ASS'Y. NO.

DATE

7-26-62

PX-663 C



REQ.	ITEM	PART NO.	DESCRIPTION	SYMBOL							
C	515W.526.760W.757.078W 093. DN.171 TOL.DELE	10/6/65 14948	KRUY	THE TECHNICAL MATERIEL CORP. MAMARONECK, NEW YORK							
B	SLOT WAS .0625 X .0625	12-5-62 7781	STOCK SIZE	BUSHING, MOUNTING CYLINDER							
A	.750 DIM. WAS .757	8-30-62 7160	NYLON								
SYM	DESCRIPTION	DATE	CH. NO.	DRAFTS	CHECKER	ENG. APP.	MATERIAL				
UNLESS OTHERWISE SPECIFIED: DIMENSIONS ARE IN INCHES TOLERANCES ON FRAC. ± 1/64 DEC. ± .005 ANGLES ± 1/2°		SCALE: DO NOT SCALE MAXIMUM ALLOWABLE TOLERANCES HAVE BEEN DETERMINED AND ANY DEVIATIONS WILL BE CAUSE FOR REJECTION. REMOVE ALL BURRS AND SHARP EDGES					G.D.L.		drawn	checked	FINAL APPROVAL
				NATURAL		FINISH & SPEC. NO.		ELEC. DES. APP.		MECH. DES. APP.	
								TAK		PX-663 C	