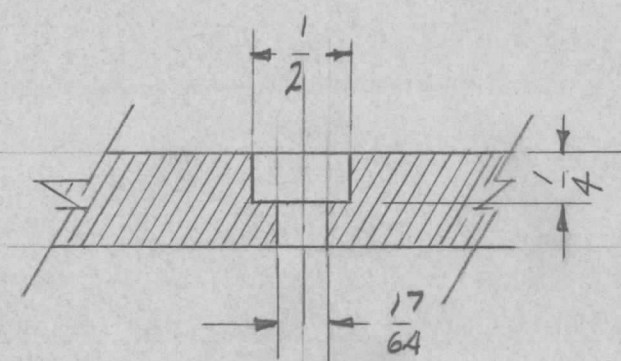
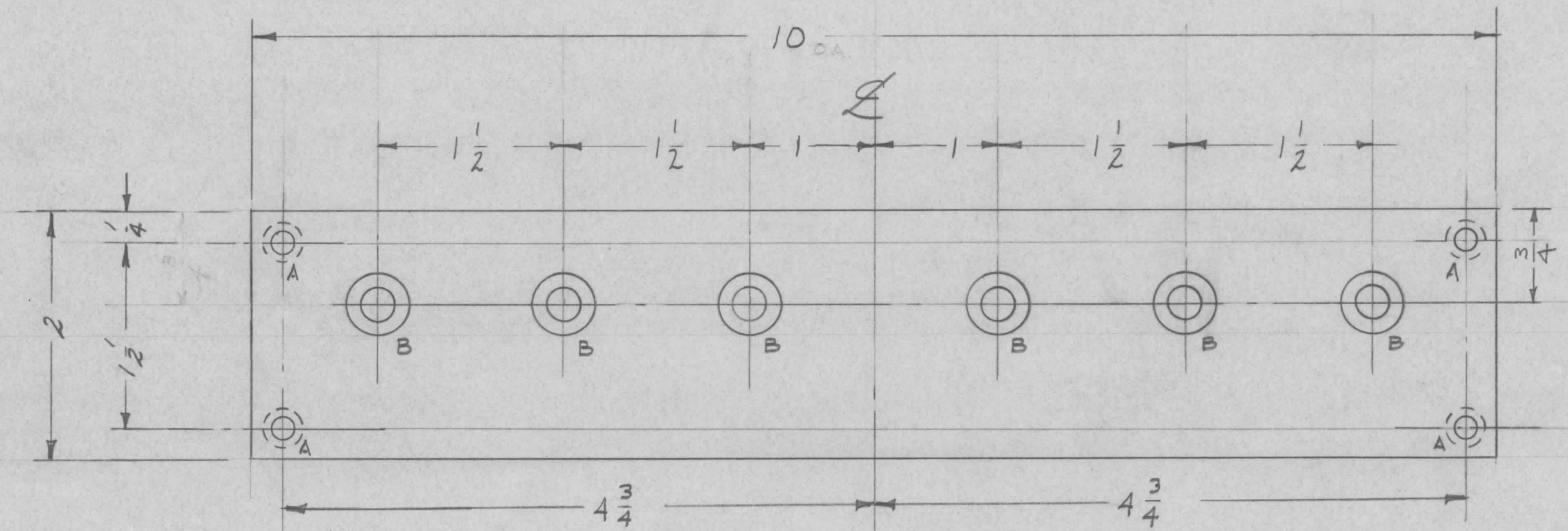
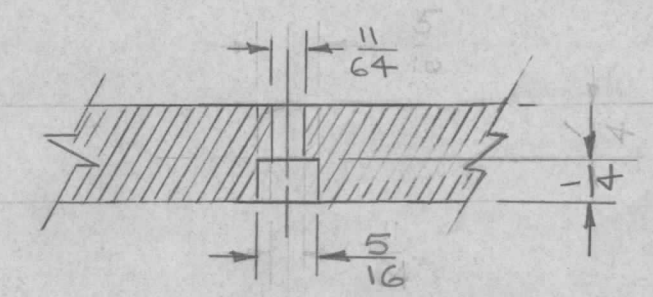


PX-459



"B"  
6 - REQ'D.



"A"  
4 - REQ'D.

PROPERTY OF THE TECHNICAL MATERIEL CORPORATION RECEIVING THIS DRAWING

THE TECHNICAL MATERIEL CORPORATION claims proprietary right in the material disclosed herein. This drawing is issued in confidence for engineering information only and may not be reproduced or used in manufacture anything shown herein without permission from THE TECHNICAL MATERIEL CORPORATION to the user. This drawing is loaned for mutual assistance and is subject to recall at any time.

Property of:  
THE TECHNICAL MATERIEL CORPORATION  
MAMARONECK, NEW YORK

ISSUE	ITEM	CHANGED FROM	DATE	CH. NO.	DRAFTS	CHECKER	ENG. APP.
TOLERANCES			SCALE:				
DEC. DIM. ±			MAXIMUM ALLOWABLE TOLERANCES HAVE BEEN DETERMINED AND ANY DEVIATIONS WILL BE CAUSE FOR REJECTION. REMOVE ALL BURRS AND SHARP EDGES				
FRAC. DIM. ±							
ANGULAR DIM. ±							

1	GPT-10K	Power Supply	2-25-59
REQ. PER UNIT	MODEL	PROJECT NO.	DATE
USED ON			

REQ. ITEM	PART NO.	DESCRIPTION	SYMBOL
1/2 THICK STOCK SIZE		THE TECHNICAL MATERIEL CORP. MAMARONECK. NEW YORK	
PHENOLIC MATERIAL		TERMINAL BOARD	
XXX		LINE FILTER GPT-10K	
NATURAL		TOLERABLE	
FINISH & SPEC. NO.		DRAWN	
		CHECKED	
		FINAL APPROVAL	
		ELEC. DES. APP. MECH. DES. APP.	
		PX-459	