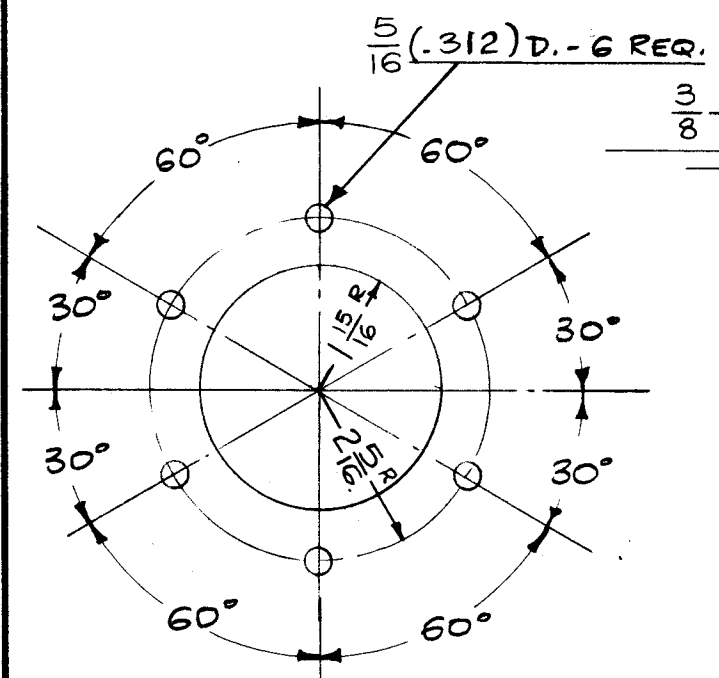


PX-369 E

PLEASE TO PERSONS RECEIVING THIS DRAWING

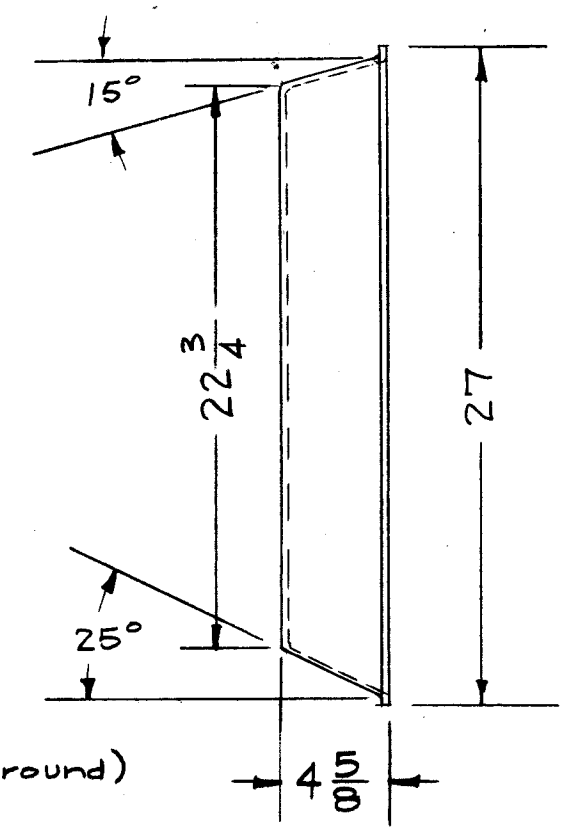
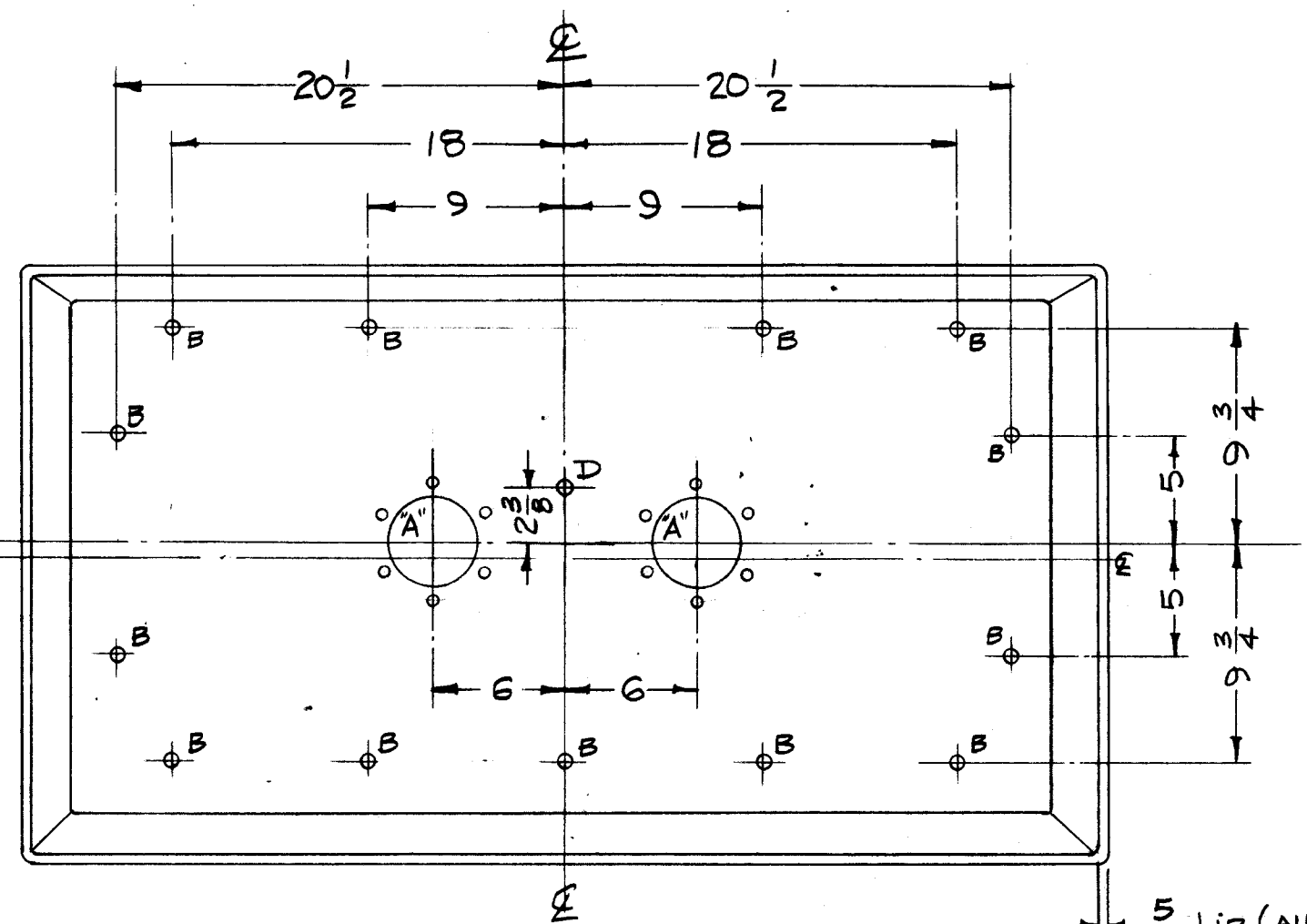
THE TECHNICAL MATERIEL CORPORATION claims proprietary right in its designs and drawings. This drawing is issued in confidence and is for information only and may not be reproduced or used to manufacture anything shown hereon without permission from THE TECHNICAL MATERIEL CORPORATION to the user. This drawing is loaned for mutual assistance and is subject to recall at any time.

Property of:  
THE TECHNICAL MATERIEL CORPORATION  
MAMARONECK, NEW YORK

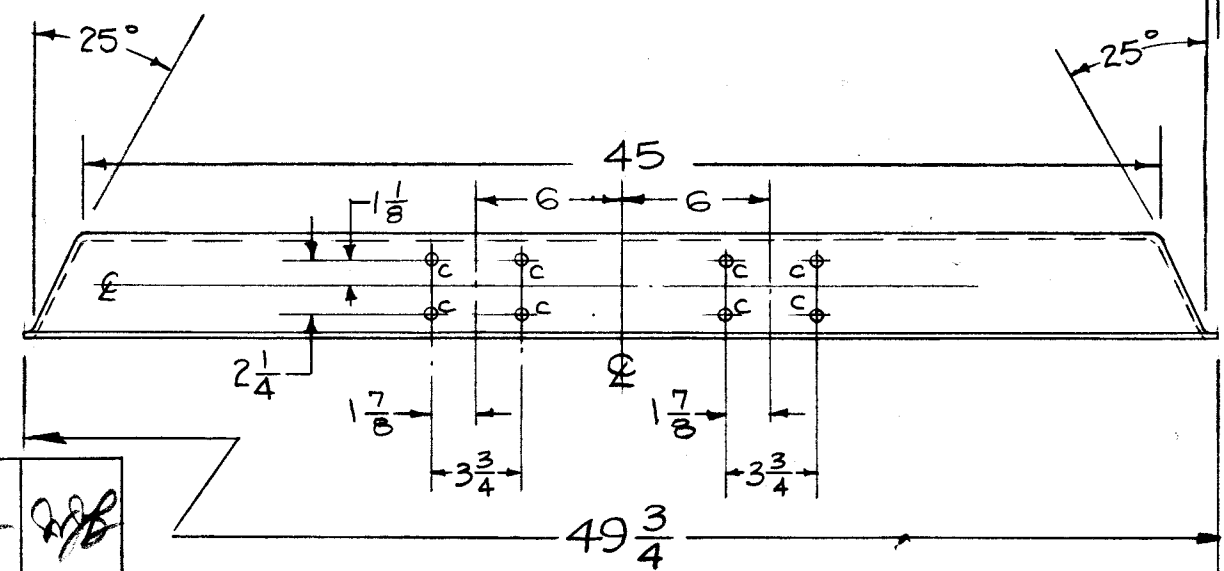


"A" Detail - 2 Req.

- B - 1/4 (.250)D. - 13 Req.
- C - #43 DR. (.089) - 8 Req.
- D - 5/16 (.312)D. - 1 Req.



TMC PART #	DESCRIPTION
PX-369-1	AS SHOWN
PX-369-2	DELETE "D" HOLE.



ISSUE	ITEM	CHANGED FROM	DATE	CH. NO.	DRAFTS	CHECKER	ENG. APP.
E	1	PX-369-1, PX-369-2 ADDED, "D" HOLE QUAN. WAS (13) ERROR TERISK 600 RF ADDED TO BUILDUP	12/16/63	10470			
D	1	ON "A" DETAIL DIM. 1-15/16 R WAS 1-7/8 R.	11-16-62	7620			
C	1	"D" Hole moved back 2-3/8"	1/30/59	732			
B	1	1 "B" Hole Deleted	9/17/57	2			
A	1	"B" HOLES WAS 13/64	7/15/57	1			

TOLERANCES		SCALE: 1/8
DEC. DIM. ±		MAXIMUM ALLOWABLE TOLERANCES HAVE BEEN DETERMINED AND ANY DEVIATIONS WILL BE CAUSE FOR REJECTION. REMOVE ALL BURRS AND SHARP EDGES
FRAC. DIM. ± 1/64		
ANGULAR DIM. ±		

REQ. PER UNIT	MODEL	PROJECT NO.	ASS'Y. NO.	DATE
1	TERISK 600 RF			10-31-63
1	TER-5000-600		A-1431(8)	5-20-57

REQ.	ITEM	PART NO.	DESCRIPTION	SYMBOL
		1/8 THK.	THE TECHNICAL MATERIEL CORP.	
		STOCK SIZE	MAMARONECK, NEW YORK	
		Fiberglass	COVER, TOP	
			(TER-5000)	
			165-20-57	
			DRAWN	CHECKED
			TYPE & TEMPER	HEAT TREAT. SPEC.
			FINISH & SPEC. NO.	ELEC. DES. APP. MECH. DES. APP.

PX-369 E