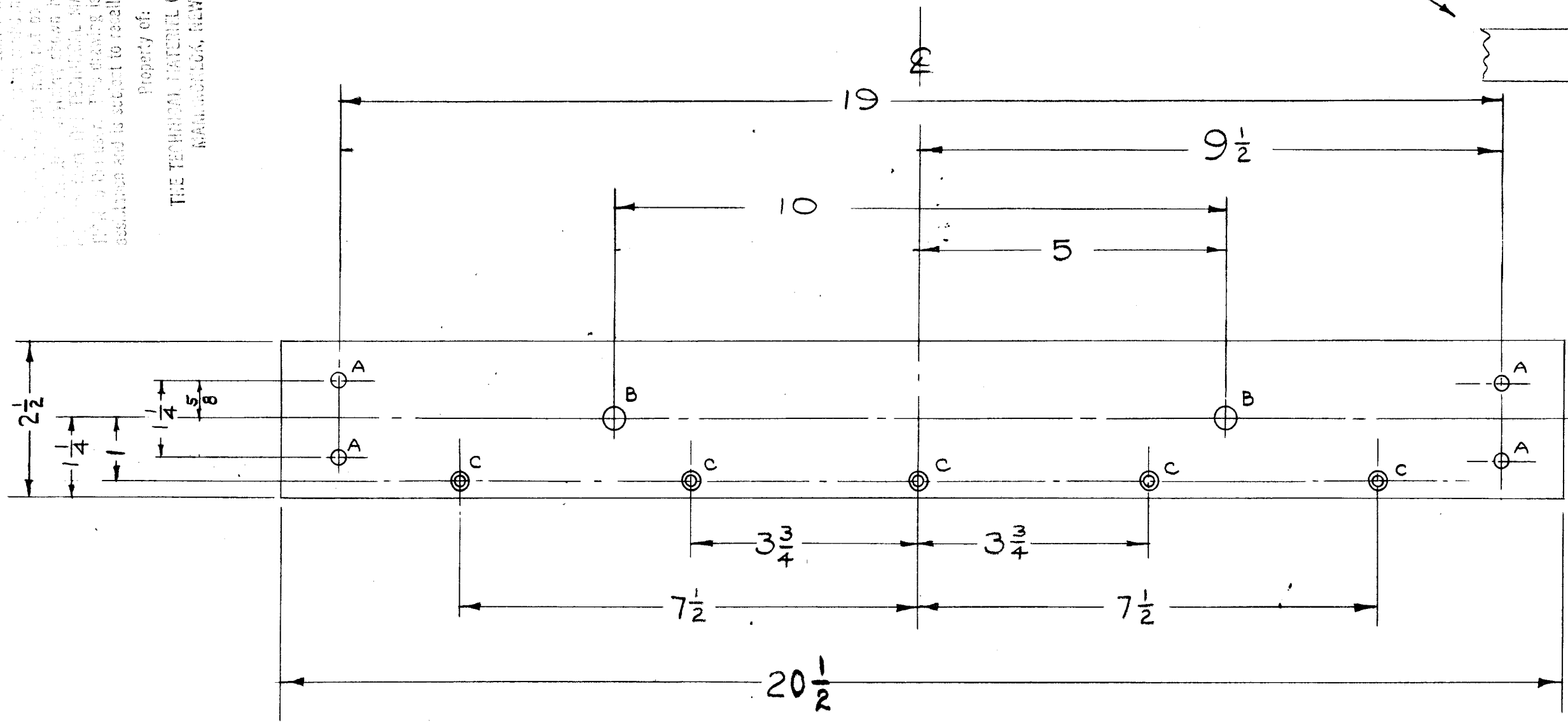
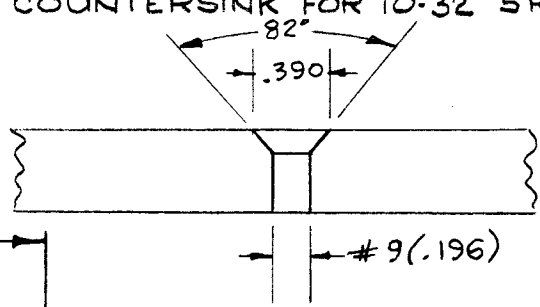


THE TECHNICAL MATERIEL CORPORATION
MAMARONECK, NEW YORK

Property of:
THE TECHNICAL MATERIEL CORPORATION
MAMARONECK, NEW YORK

"A" HOLES - $\frac{13}{64}$ 4 REQ.
"B" HOLES - $\frac{5}{16}$ 2 REQ.
"C" HOLES - DRILL & COUNTERSINK FOR 10-32 5 REQ.



NOTE:
Lacquer all edges exposed
by machining & cutting.
S-113 Fungus Resistant Varnish

REF. PX-359

ISSUE	ITEM	CHANGED FROM	DATE	CH. NO.	DRAFTS	CHECKER	ENG. APP.
TOLERANCES			SCALE:				
DEC. DIM. \pm			MAXIMUM ALLOWABLE TOLERANCES HAVE BEEN DETERMINED AND ANY DEVIATIONS WILL BE CAUSE FOR REJECTION.				
FRAC. DIM. $\pm \frac{1}{64}$			REMOVE ALL BURRS AND SHARP EDGES				
ANGULAR DIM. \pm							

4	TER-5000		A-1431(B)	3-26-57
REQ. PER UNIT	MODEL	PROJECT NO.	ASS'Y. NO.	DATE
USED ON				

REQ. ITEM	PART NO.	DESCRIPTION		SYMBOL
1/2" THK.		THE TECHNICAL MATERIEL CORP.		
STOCK SIZE		MAMARONECK, NEW YORK		
PHENOLIC		SUPPORT, RESISTOR, TOP		
MATERIAL		(TER-5000)		
L.E.		EC. 3-26-57	6 3-26-57	
TYPE & TEMPER	HEAT TREAT. SPEC.	DRAWN	CHECKED	FINAL APPROVAL
NATURAL - SEE NOTE				PX-360
FINISH & SPEC. NO.		ELEC. DES. APP.	MECH. DES. APP.	