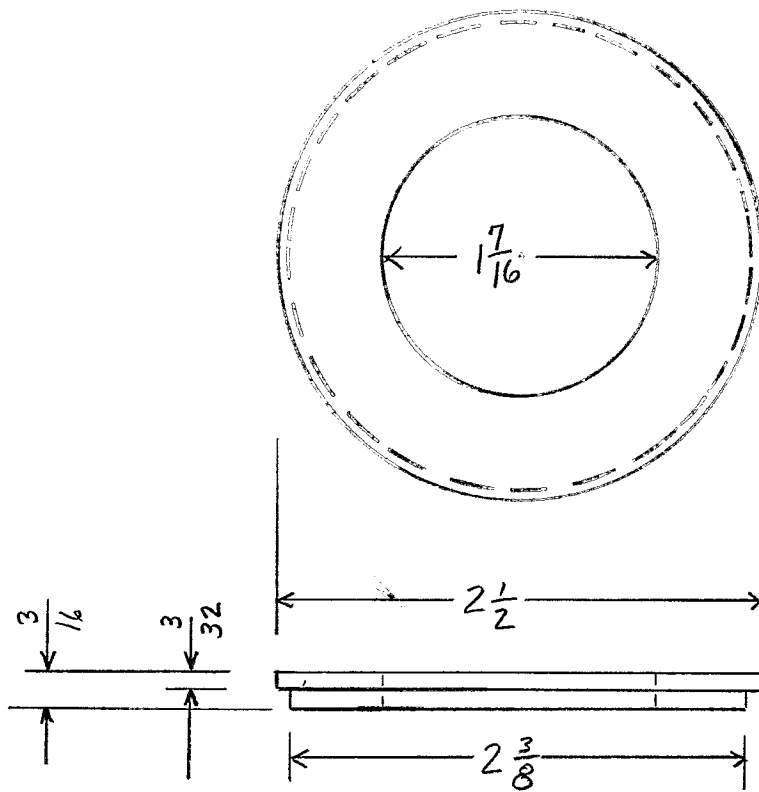
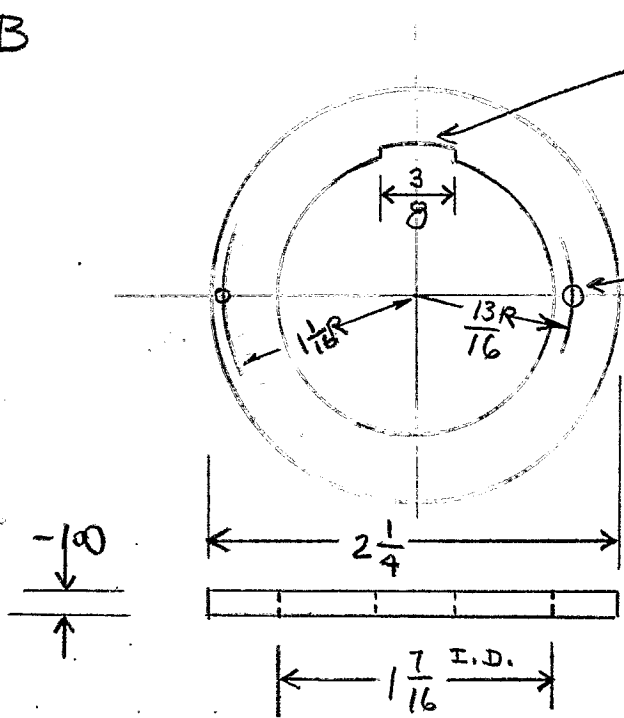


PART A



USE: XXX PAPER  
BASE PHENOLIC  
ONE PER UNIT

PART B



FILE SLOT  $\frac{1}{16}$ " SO BRASS  
SHIM SHIELD CAN BE  
CONNECTED TO GROUND  
TERMINAL POST

# 53 DRILL  
2 HOLES REQ'D

USE: XXX PAPER  
BASE PHENOLIC  
ONE PER UNIT

WAS AMS059  
1/26/54

DATE JAN 24, 1951	TOP AND CENTER FLANGES	THE TECHNICAL MATERIEL CORPORATION MAMARONECK, NEW YORK
DRN. P.B.	MAGNETIC DIODE COIL	
CHKD. H.R.B.	TAK-1	
APPD. <i>hm</i>		
		SHEET 1 OF 1 NO. PX-210