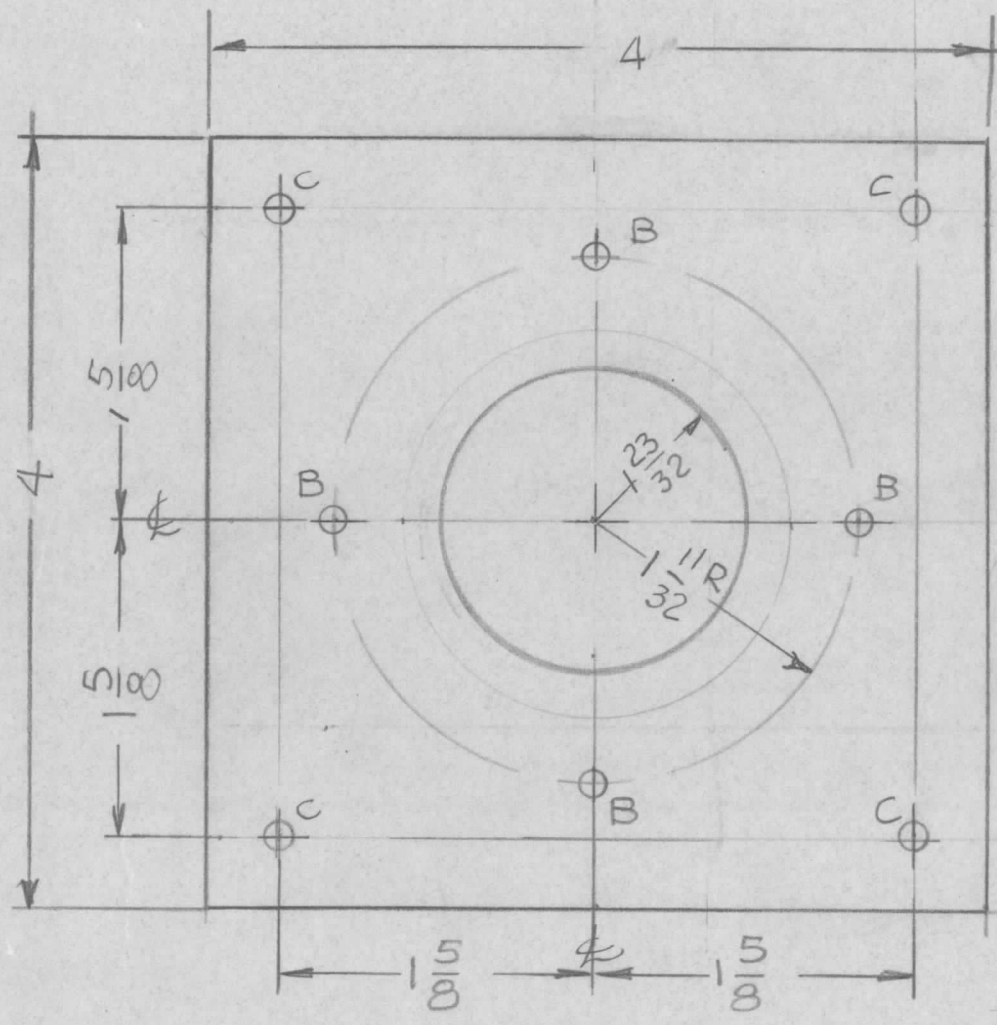
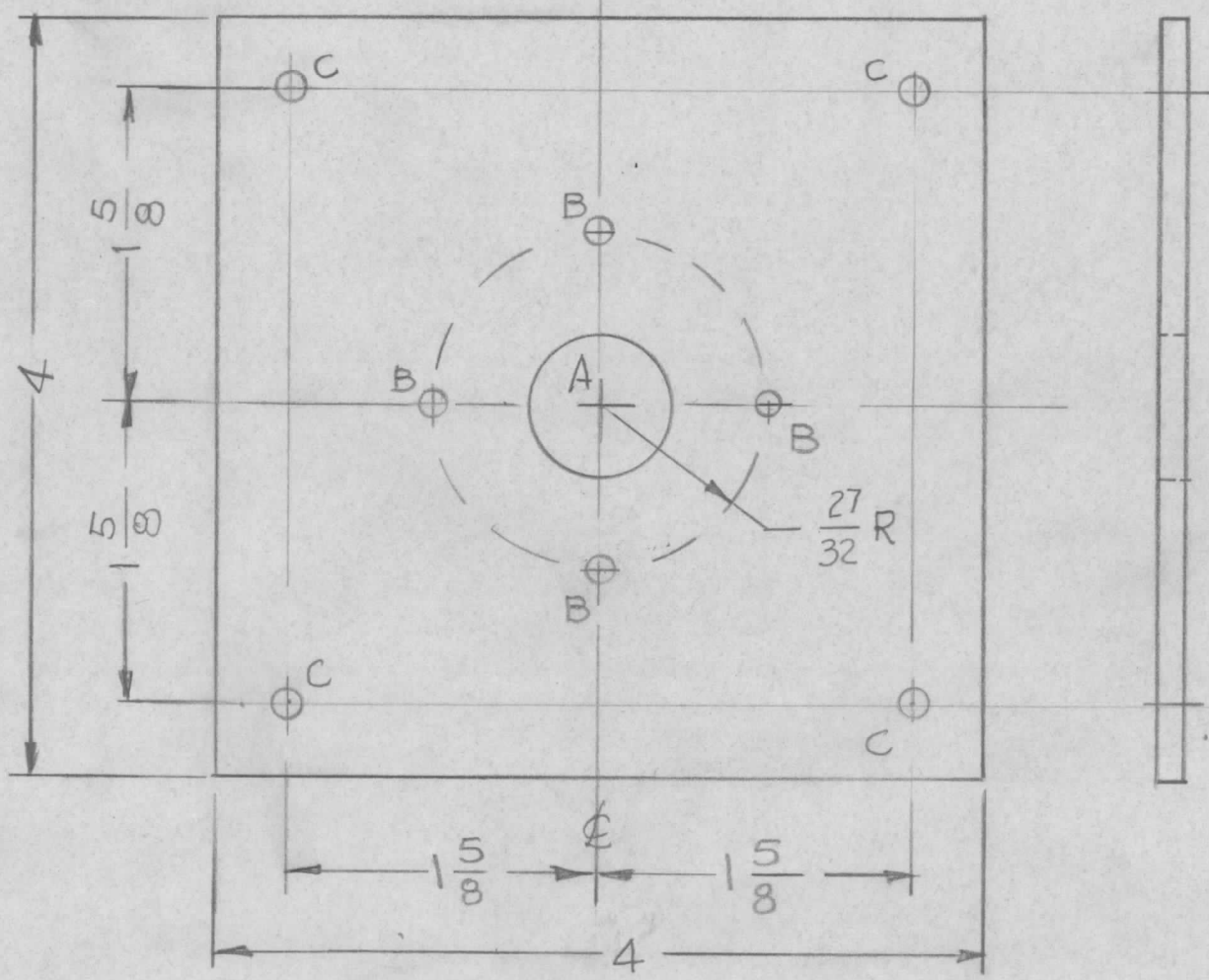


REVISIONS							
E.M.N. NO.	DRAFT	CHKD	ZONE	LTR	DESCRIPTION	DATE	APPROVED
	G.D.L.				Ø ORIGINAL RELEASE FO	3-20-91	<i>OB</i>

HOLES
 A - 23/32 DIA
 B - 11/64 DIA 4 REQ'D
 C - 13/64 DIA 4 REQ'D

500
 343
 847



HOLES:
 B - 11/64 DIA
 C - 13/64 DIA

PX 1307 - 2 (1K)
 2 REQ'D

PX 1307 - 1 (2 REQ'D)
 (500)

QTY / UNIT	TER-500 1K	ASB 67
APPLICATION		
CODE		

NOTICE TO PERSONS RECEIVING THIS DRAWING
 THE TECHNICAL MATERIEL CORPORATION claims proprietary right in the material disclosed hereon. This drawing is issued in confidence for engineering information only and may not be reproduced or used to manufacture anything shown hereon without permission from THE TECHNICAL MATERIEL CORPORATION to the user. This drawing is loaned for mutual assistance and is subject to recall at any time.

UNLESS OTHERWISE SPECIFIED DIMENSIONS ARE IN INCHES AND INCLUDE CHEMICALLY APPLIED OR PLATED FINISHES

DECIMALS	FRACTIONS
.X ± .05	1/64
.XX ± .01	TOLS. ANGLES
.XXX ± .005	0° - 30'

MATERIAL 1/8 THK
 G10 EPOXY

FINISH
 NATURAL

REQ'D	ITEM	PART NUMBER	DESCRIPTION	SYM.
LIST OF MATERIAL				

FINAL APPROVAL	DATE
<i>OB</i>	4/17/90
MECH. DES.	DATE
ELECT. DES.	DATE
CHECKED	DATE
DRAWN	DATE
G.D.L.	4-17-90

THE TECHNICAL MATERIEL CORP.
 MAMARONECK, NEW YORK

PLATE MTG. RESISTOR

SIZE	CODE IDENT. NO.	DWG NO.	ISSUE
B	82679	PX 1307 -	Ø
SCALE	1:1	SHEET	OF