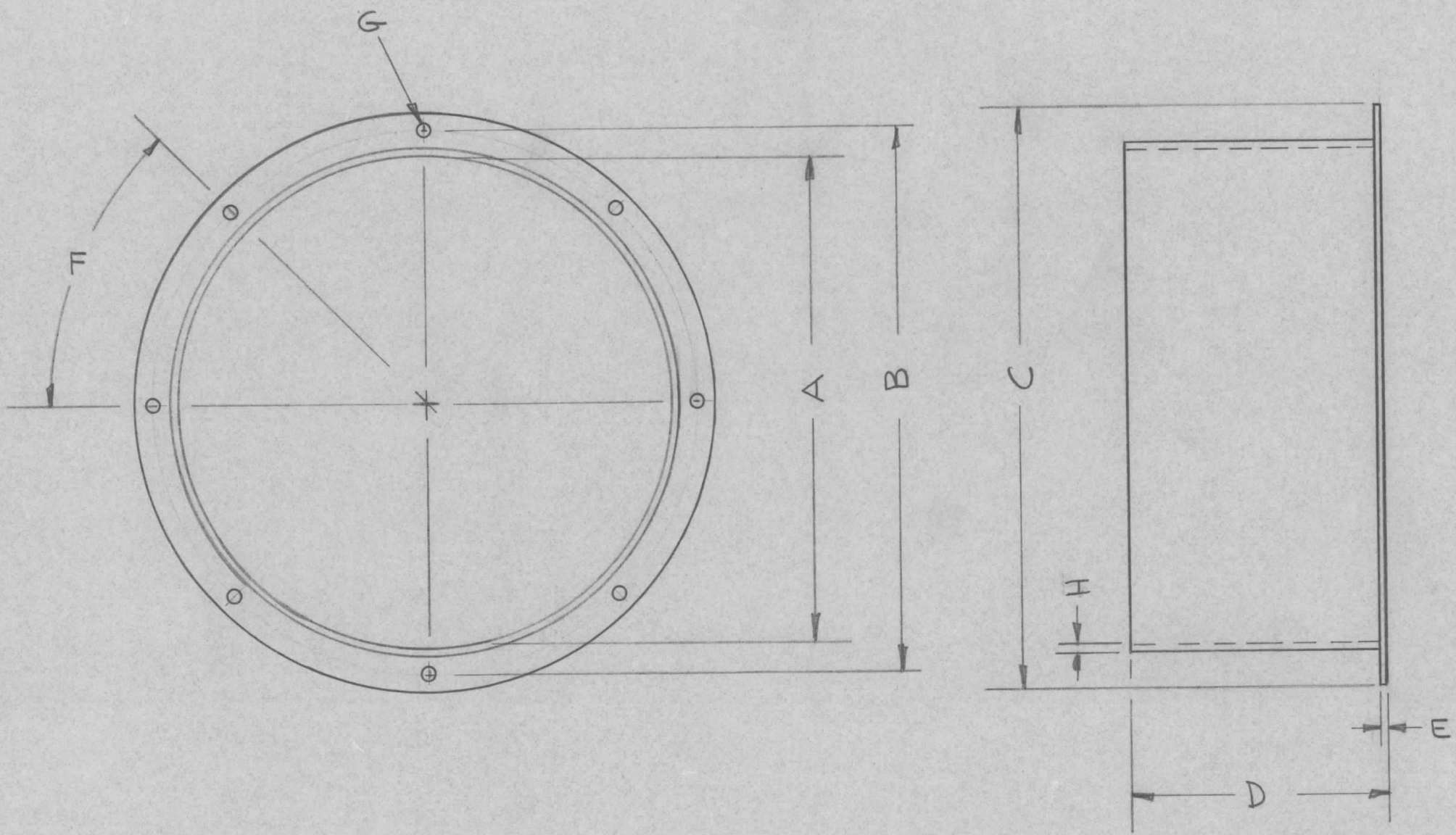


ENGINEERING SKETCH NOT FOR PRODUCTION

REVISIONS							
ZONE	LTR	DESCRIPTION	DATE	E.M.N.NO	DRAFT	CHKD	APPD
	Ø	ORIG RELEASE FOR PROD	3/3/72		CU		



DIM	MIN	MAX
A	7.062	7.094
B	7.734	7.766
C	8.230	8.265
D	3.609	3.656
E	.093	.125
F	44°	46°
G	-.140	.172
H	.062	.109

1	HFLM-10K	AX5114-2
1	HFLA-10K	AX5114-1
QTY / UNIT	MODEL USED ON	ASS'Y NO.

APPLICATION

CODE

NOTICE TO PERSONS RECEIVING THIS DRAWING
 THE TECHNICAL MATERIEL CORPORATION claims proprietary right in the material disclosed hereon. This drawing is issued in confidence for engineering information only and may not be reproduced or used to manufacture anything shown hereon without permission from THE TECHNICAL MATERIEL CORPORATION to the user. This drawing is loaned for mutual assistance and is subject to recall at any time.

UNLESS OTHERWISE SPECIFIED DIMENSIONS ARE IN INCHES AND INCLUDE CHEMICALLY APPLIED OR PLATED FINISHES

DECIMALS: .X ± .05, .XX ± .01, .XXX ± .005
 FRACTIONS: 1/64
 TOLS. ANGLES: 0° -30'

MATERIAL: POLYESTER MIL-R-7675
 FINISH: GREY

REQ'D	ITEM	PART NUMBER	DESCRIPTION	SYM.
LIST OF MATERIAL				
THE TECHNICAL MATERIEL CORP. MAMARONECK, NEW YORK				
CHIMNEY PA TUBE				
FINAL APPROVAL <i>[Signature]</i>		DATE 31 Jan 72	SIZE B CODE IDENT. NO. 82679 DWG NO. PX1178 ISSUE Ø	
MECH. DES. <i>[Signature]</i>		DATE 31 Jan 72		
ELECT. DES.		DATE		
CHECKED		DATE		
DRAWN <i>[Signature]</i>		DATE 31 Jan 72		
S401-23(5K1306)			SCALE	SHEET OF