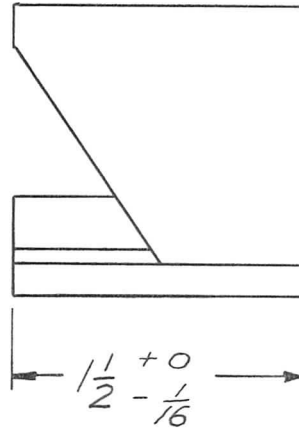
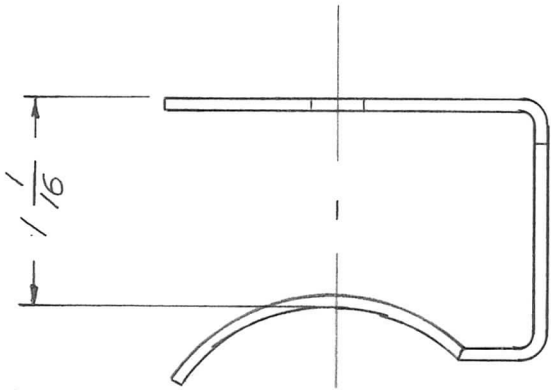
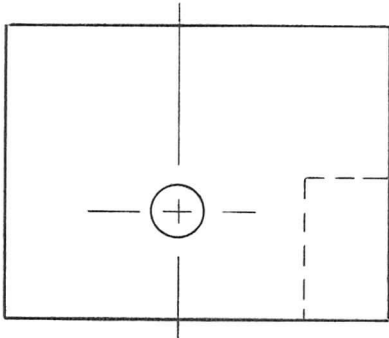


APPLICATION			REVISIONS						
QTY	MODEL USED ON	ASS'Y NO.	LTR	DESCRIPTION	DATE	E.M.N.NO	DRAFT	CHKD	APPD
2	GPT 40 KEL	AS 142	X	EXP RELEASE	7/10/69		GE		
			Ø	ORIG RELEASE FOR PROD	7/14/69		CV		



FINISH NOTE:
 CAD. PLATE & IRIDITE
 PER FED. SPEC. Q-Q-P-416a
 TYPE II CLASS 2

UNLESS OTHERWISE SPECIFIED DIMENSIONS ARE IN INCHES AND INCLUDE CHEMICALLY APPLIED OR PLATED FINISHES	REQ'D	ITEM	PART NUMBER	DESCRIPTION	SYM.
DECIMALS .X ± .05 .XX ± .01 .XXX ± .005 FRACTIONS 1/64 ANGLES 0° - 30°				LIST OF MATERIAL	
MATERIAL				THE TECHNICAL MATERIEL CORP. MAMARONECK, NEW YORK	
FINISH SEE NOTE				BRACKET, EDGE HANGER, LEFT 1 5/8 COAXIAL	
S401-48 (560 141)					

NOTICE TO PERSONS RECEIVING THIS DRAWING THE TECHNICAL MATERIEL CORPORATION claims proprietary right in the material disclosed hereon. This drawing is issued in confidence for engineering information only and may not be reproduced or used to manufacture anything shown hereon without permission from THE TECHNICAL MATERIEL CORPORATION to the user. This drawing is loaned for mutual assistance and is subject to recall at any time.	SIZE A	CODE IDENT. NO. 82679	DWG NO. PO 317	ISSUE Ø
	SCALE		SHEET OF	