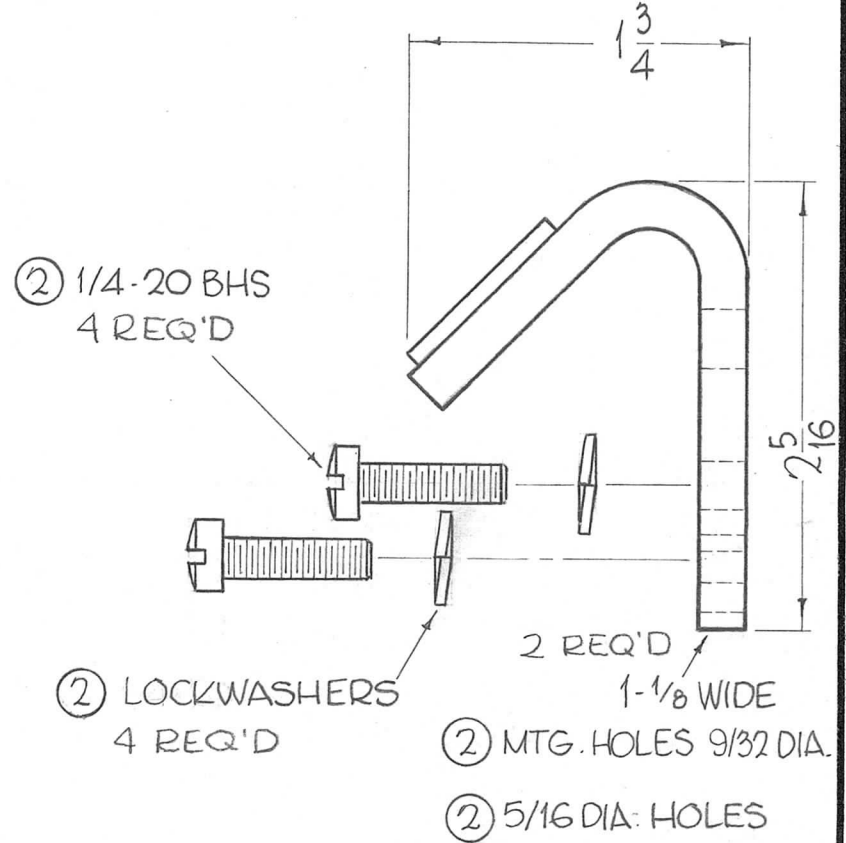
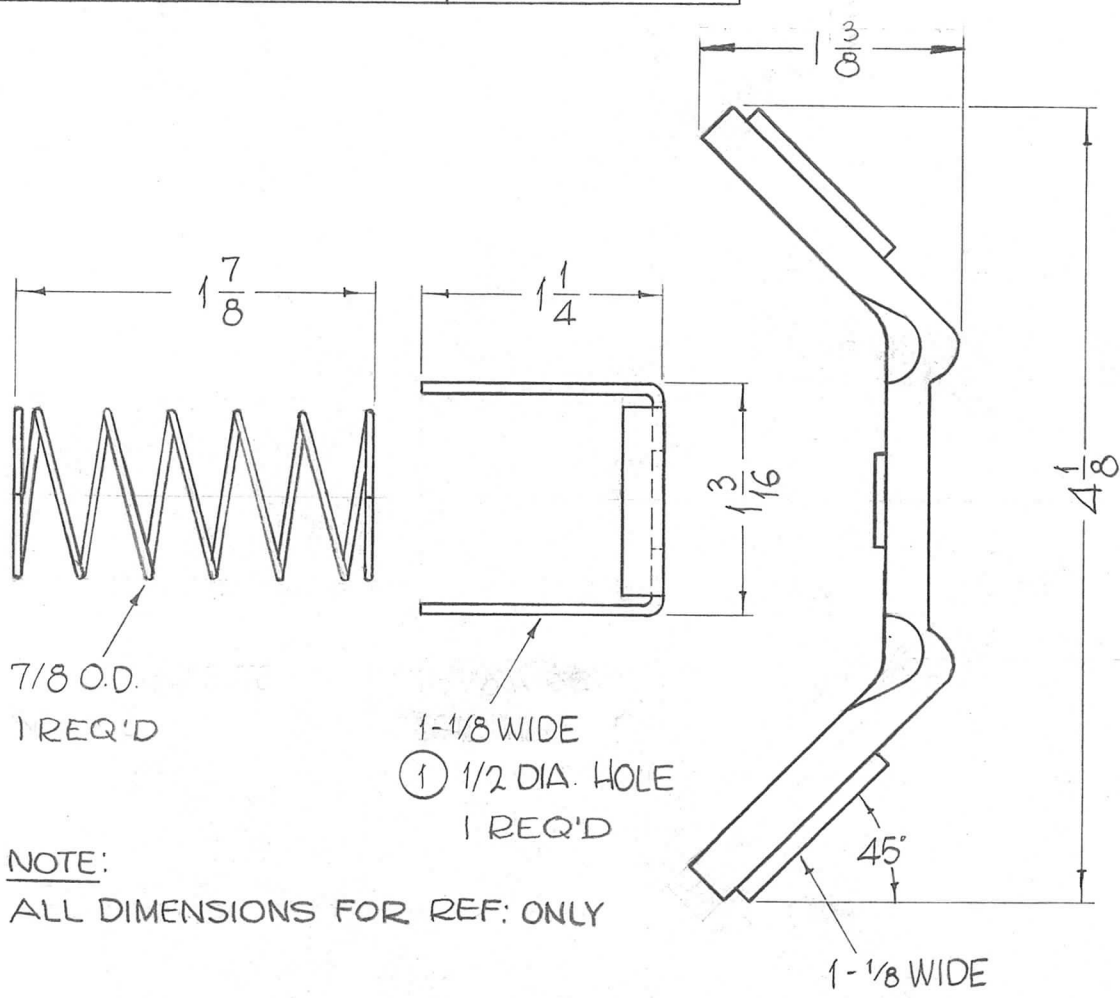


TMC P/N	DESCRIPTION	QTY OF ITEM
PO297	SINGLE SET	AS SHOWN
PO297-2	TRIPLE SET	TIMES THREE

REQ. PER UNIT	USED ON		
	MODEL	ASS'Y. NO.	DATE
1	GPT-200K	RL-147	10-31-63

PO-297 A



NOTE:  
ALL DIMENSIONS FOR REF: ONLY

REQ. ITEM	PART NO.	F. BUDETTI	DESCRIPTION	SYMBOL								
			THE TECHNICAL MATERIEL CORP. MAMARONECK, NEW YORK									
A	P/N CHART & QTY ADDED	4-29-66	16177	WHD								
0	ORIG. RELEASE FOR PROD.	5-16-64		SRG								
SYM	DESCRIPTION	DATE	CH. NO.	DRAFTS	CHECKER	ENG. APP.	MATERIAL					
UNLESS OTHERWISE SPECIFIED DIMENSIONS ARE IN INCHES AND INCLUDE CHEMICALLY APPLIED OR PLATED FINISHES		SCALE	1"=1"					John C. Biela	aa	RAC		
DECIMALS .X ± .05 .XX ± .01 .XXX ± .005		TOLERANCES		FRACTIONS ± 1/64 ANGLES ± 0° 30'		CODE		TYPE & TEMPER	HEAT TREAT. SPEC.	DRAWN	CHECKED	FINAL APPROVAL
										PO-297		A
								FINISH & SPEC. NO.		ELEC. DES. APP.	MECH. DES. APP.	