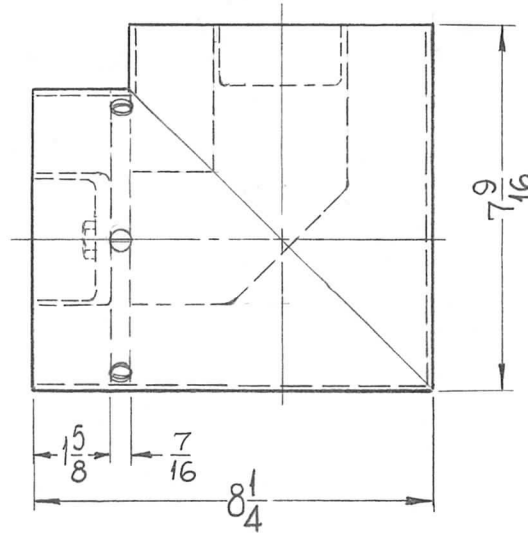
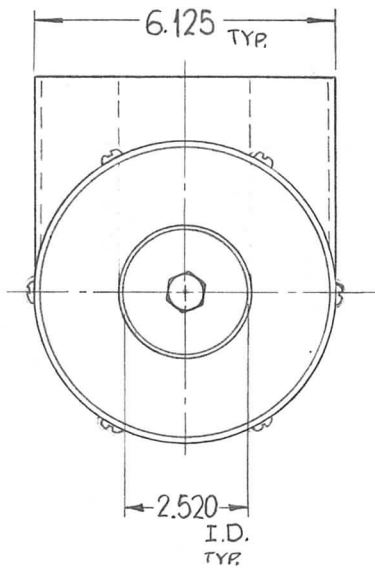


REQ. PER UNIT	USED ON			PO-284	○
	MODEL	ASS'Y. NO.	DATE		
1	GPT-200K	AX-397	1-14-64		



NOTE:  
DIMENSIONS FOR REF. ONLY.

REF. ID-292

REQ.	ITEM	PART NO.	F. BUDETTI DESCRIPTION				SYMBOL
			<b>THE TECHNICAL MATERIEL CORP. MAMARONECK, NEW YORK</b>				
			STOCK SIZE				
○			ELBOW, LINE R.F. TRANSMISSION				
			6 1/8 UNFLANGED				
SYM	DESCRIPTION	DATE	CH. NO.	DRAFTS	CHECKER	ENG. APP.	MATERIAL
	ORIGINAL RELEASE FOR PRODUCTION	5-27-64	0	A.M.			
UNLESS OTHERWISE SPECIFIED DIMENSIONS ARE IN INCHES AND INCLUDE CHEMICALLY APPLIED OR PLATED FINISHES		SCALE					
		1/4 = 1"					
DECIMALS .X ± .05 .XX ± .01 .XXX ± .005		FRACTIONS ± 1/64 ANGLES ± 0° 30'		CODE		S-401-276 (P/O 601-083)	
TOLERANCES				TYPE & TEMPER		HEAT TREAT. SPEC.	
				DRAWN		CHECKED	
				ELEC. DES. APP.		MECH. DES. APP.	
				SRG		aa	
				POJ		H/4	
				FINISH & SPEC. NO.		PO-284	
						○	