

THE CONTENTS OF THIS DRAWING ARE THE EXCLUSIVE PROPERTY OF THE TECHNICAL MATERIEL CORP. ITS UNAUTHORIZED USE FOR REPRODUCTION IN WHOLE OR IN PART IS STRICTLY FORBIDDEN.

REQ. PER UNIT

USED ON

MODEL

ASS'Y. NO.

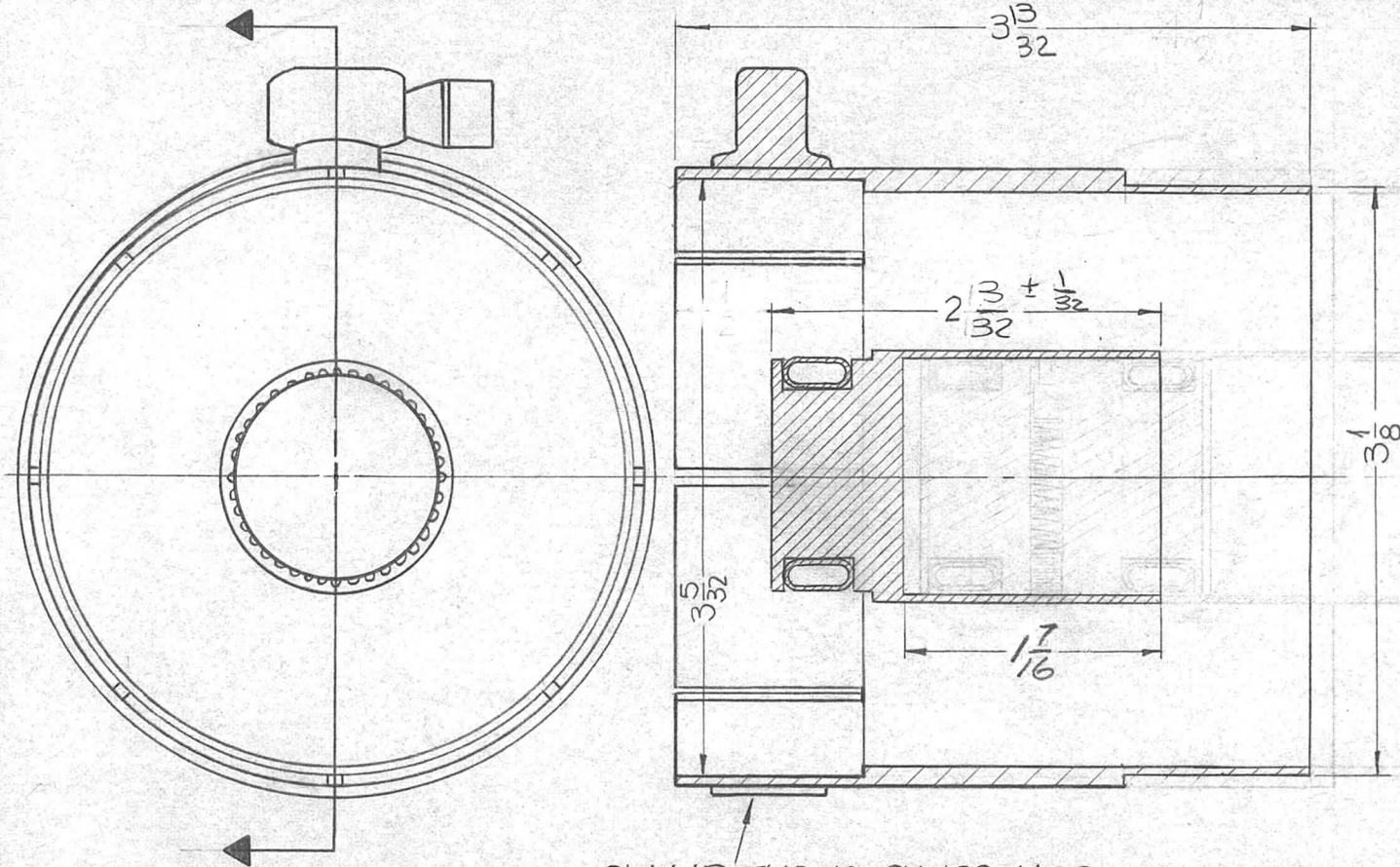
DATE

GPT-200K

AX 392

5 - 23 - 63

PO-272 B



NOTE:
DIMENSIONS FOR
REF. ONLY.

CLAMP, TMC NO. CU 129-14 SS

REQ. ITEM	PART NO.	F. BUDETTI	DESCRIPTION	SYMBOL								
B	1/2 DIM. DELE. DIM 1 7/16 WAS 1 3/8	11/6/66	15528	A.V. JCB aa								
A	3 13/32 & 2 3/32 WERE 3 3/8 & 2 1/2	6.8.63	14182	JCB aa								
O	ORIGINAL RELEASE	7.17.64		ASB								
SYM	DESCRIPTION	DATE	CH. NO.	DRAFTS	CHECKER	ENG. APP.	MATERIAL	STOCK SIZE	THE TECHNICAL MATERIEL CORP. MAMARONECK, NEW YORK			
UNLESS OTHERWISE SPECIFIED DIMENSIONS ARE IN INCHES AND INCLUDE CHEMICALLY APPLIED OR PLATED FINISHES								SCALE	ADAPTOR, SWITCH TO LINE			
DECIMALS .x ± .05 .xx ± .01 .xxx ± .005								TOLERANCES	CODE	John C. Biele aa RJC		
FRACTIONS ± 1/64 ANGLES ± 0° 30'								S401-48(983-1)	TYPE & TEMPER	DRAWN	CHECKED	FINAL APPROVAL
								FINISH & SPEC. NO.	JCB	JCB	PO 272 B	
								ELEC. DES. APP.	MECH. DES. APP.			