

THE CONTENTS OF THIS DRAWING ARE THE EXCLUSIVE PROPERTY OF THE TECHNICAL MATERIEL CORP. ITS UNAUTHORIZED USE FOR REPRODUCTION IN WHOLE OR IN PART IS STRICTLY FORBIDDEN.

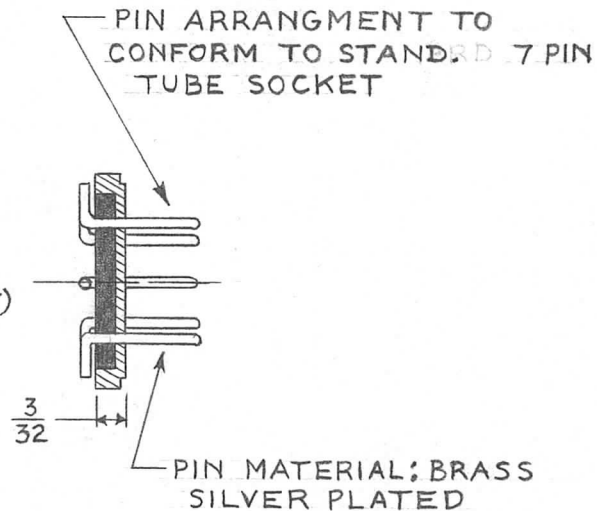
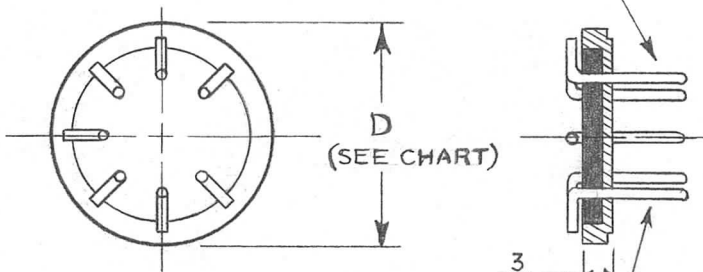
REQ. PER UNIT	USED ON		
	MODEL	ASS'Y. NO.	
1	TRX-1		2-27-63

PO-261

TMC PART NO.	MFGR PART NO.	D	COLOR
PO-261-1	E1041-S2	.700	BLACK

**SPECIFICATIONS**

ELECTRICAL:  
I. TEMP. RANGE; CONTINUOUS OPERATION  
UP TO 400°F.



MATING CASE: TMC P/N BX-204

REF: J. WALDMAN & SONS

								REQ. ITEM	PART NO.	J. STRUMER DESCRIPTION	SYMBOL	
								#		THE TECHNICAL MATERIEL CORP. MAMARONECK, NEW YORK		
								EPOXY #105		HEADER		
								MATERIAL				
SYM	DESCRIPTION	DATE	CH. NO.	DRAFTS	CHECKER	ENG. APP.		#		N. Peters 3/19/63	BP	
UNLESS OTHERWISE SPECIFIED DIMENSIONS ARE IN INCHES AND INCLUDE CHEMICALLY APPLIED OR PLATED FINISHES		SCALE	#									
DECIMALS .X ± .05 .XX ± .01 .XXX ± .005	TOLERANCES	FRACTIONS ± 1/64 ANGLES ± 0° 30'	CODE	S-401-204				SEE CHART			DRAWN CHECKED FINAL APPROVAL	PO-261
							FINISH & SPEC. NO.	ELEC. DES. APP.	MECH. DES. APP.			