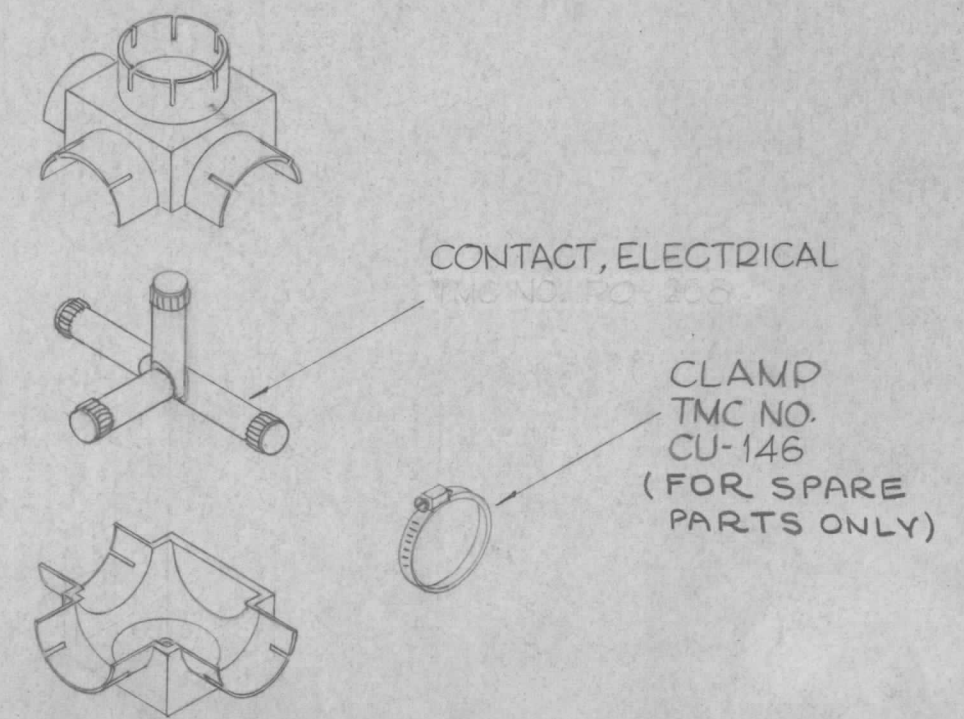


A
PO-259

REVISIONS

SYM	DESCRIPTION	DATE	E.M.N. NO.	DRAFT	CHKD	APPD
0	ORIGINAL RELEASE FOR PRODUCTION	5-27-64	0	A.M.		
A	TMC P/N DELE. FROM CONTACT NOTE ON CLAMP NOTE " FOR SPARE PARTS ONLY " ADDED	8.14.64	11953	JB	NR	DB



REF. JENNINGS RC 5

REQ'D.	ITEM	PART NUMBER	DESCRIPTION	SYMBOL
	F. BUDETTI		LIST OF MATERIAL	

MATERIAL THE TECHNICAL MATERIEL CORP.
MAMARONECK, NEW YORK

FINISH TITLE
ELBOW, 4 WAY 1 5/8

UNLESS OTHERWISE SPECIFIED DIMENSIONS ARE IN INCHES AND INCLUDE CHEMICALLY APPLIED OR PLATED FINISHES		DRAWN	DATE	FINAL APPROVAL	DATE
		John C Biele	1-4-63	RB	
		CHECKED	DATE		

DECIMALS	FRACTIONS	ELECT. DES.	DATE	MECH. DES.	DATE	SHEET	REV. LTR.
.X ± .05	± 1/64	DB	5/21/64	JB	5/8/64	PO-259	A
.XX ± .01	ANGLES ± 0° 30'						
.XXX ± .005							

NOTES

THE CONTENTS OF THIS DRAWING ARE THE EXCLUSIVE PROPERTY OF THE TECHNICAL MATERIEL CORP. ITS UNAUTHORIZED USE OR REPRODUCTION IN WHOLE OR IN PART IS STRICTLY FORBIDDEN.

Q'TY./UNIT	MODEL USED ON	ASS'Y. NO.
	SA01-48	
SCALE	CODE	