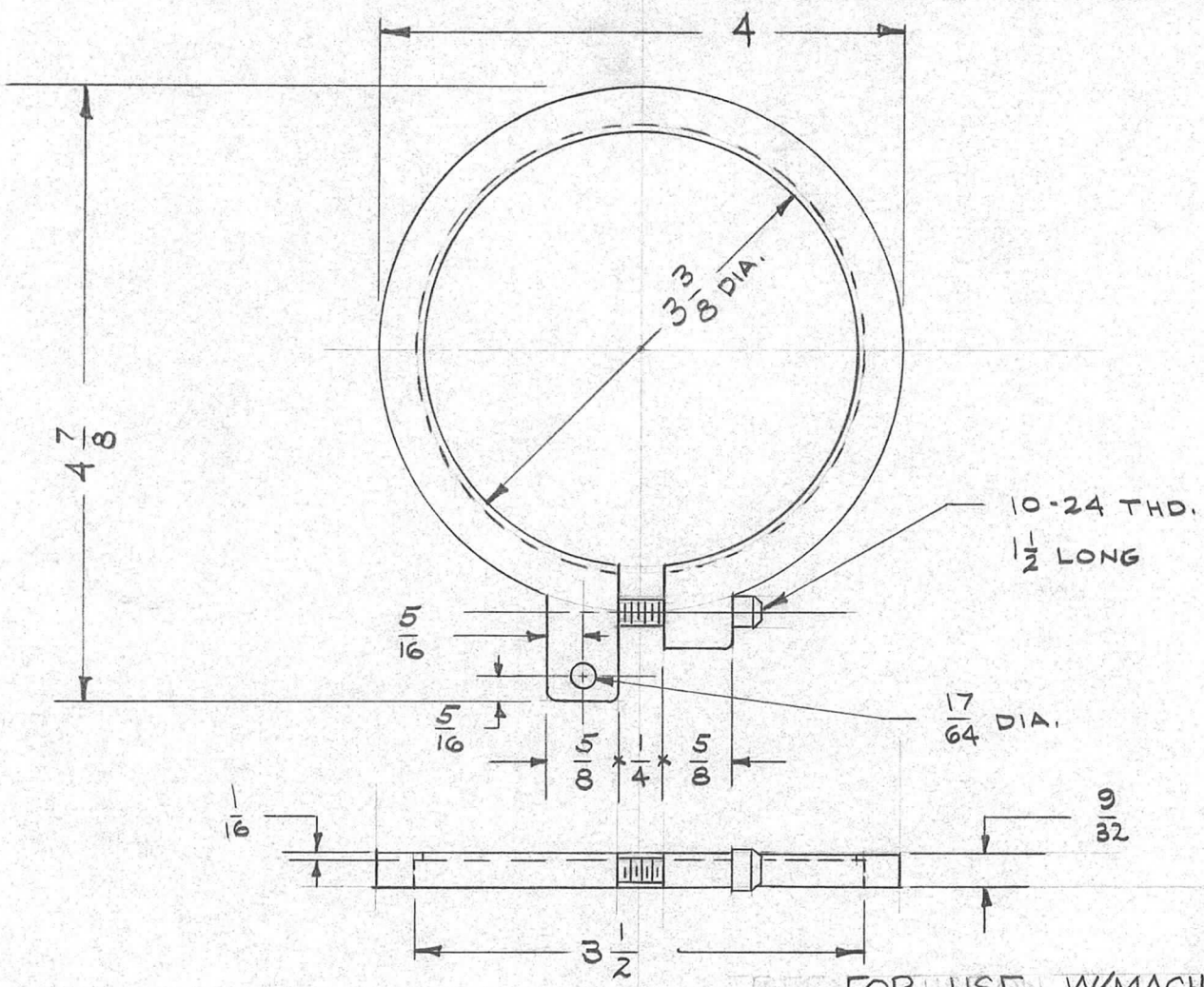


REQ. PER. UNIT	USED ON			PO-191	A
	MODEL	ASS'Y. NO.	DATE		
1	GPT-40K		12-10-59		



REF FOR USE W/MACHLETT TUBE TYPE #6697

							REQ. ITEM	PART NO.	DESCRIPTION	SYMBOL		
									THE TECHNICAL MATERIEL CORP.			
									MAMARONECK, NEW YORK			
								COPPER	CONNECTOR			
									CATHODE, LARGE			
A	1	ADDED REF. NOTE "COPPER" TO MAT'L & "RHODIUM" TO SPECS.	7-17-63	9648	A.K.	<i>W. Q. G.</i>						
ISSUE	ITEM	CHANGED FROM	DATE	CH. NO.	DRAFTS	CHECKER	ENG. APP.					
TOLERANCES			SCALE: S401-84 (F-17489)									
DEC. DIM. ±			MAXIMUM ALLOWABLE TOLERANCES HAVE BEEN DETERMINED AND ANY DEVIATIONS WILL BE CAUSE FOR REJECTION.									
FRAC. DIM. ±			REMOVE ALL BURRS AND SHARP EDGES									
ANGULAR DIM. ±												
							TYPE & TEMPER	HEAT TREAT. SPEC.	DRAWN	CHECKED	FINAL APPROVAL	
							RHODIUM		<i>dm</i>	<i>HDe</i>	<i>2B</i>	
							FINISH & SPEC. NO.	ELEC. DES. APP	MECH. DES. APP			
											PO-191	A