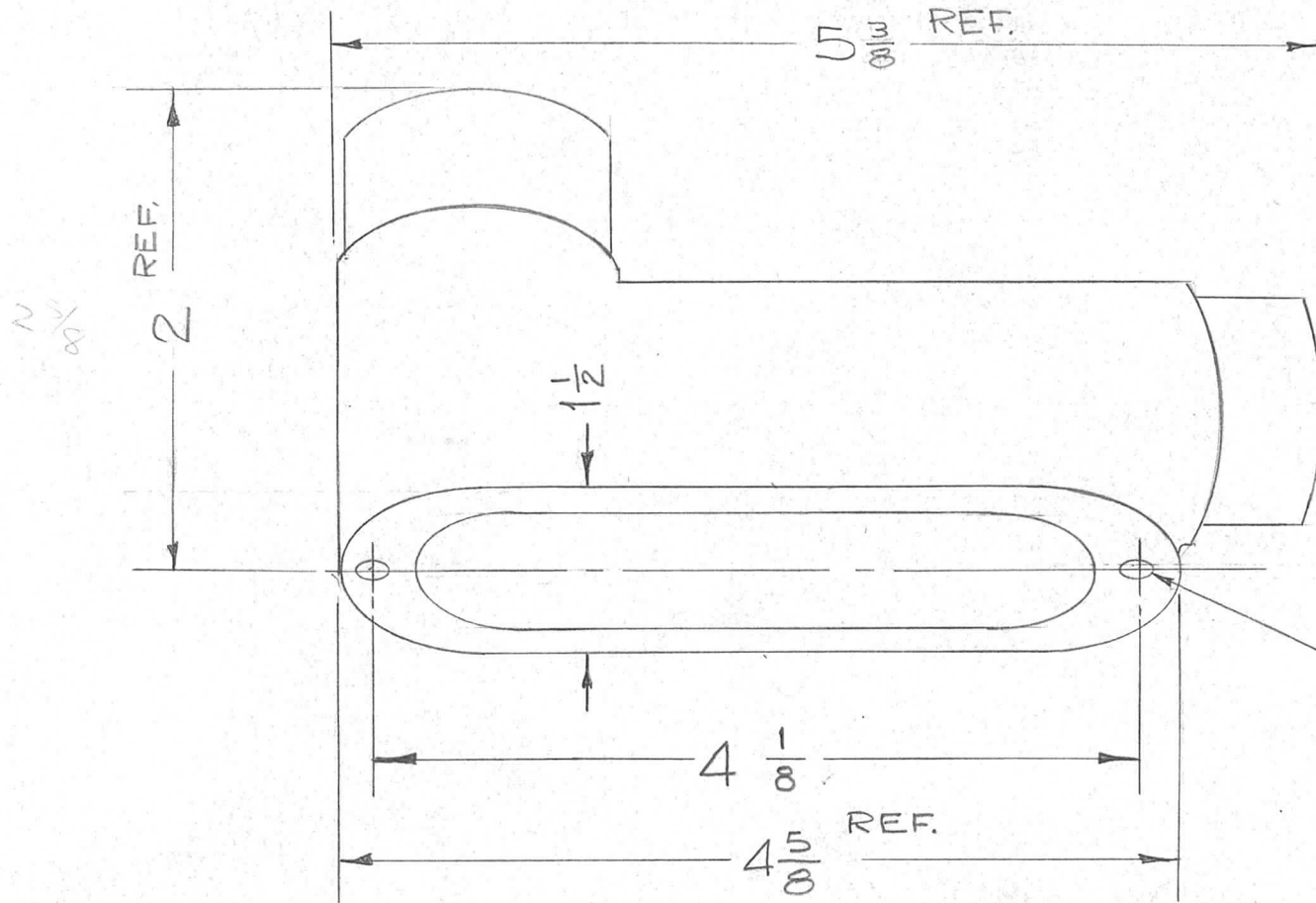


REQ. PER UNIT	USED ON			PO-145
	MODEL	ASS'Y. NO.	DATE	
1	TLI	A-1485	7-16-57	



NOTE: THREADED FOR RIGID CONDUIT. (THICK WALL)

MATERIAL - FERALLOY (CROUSE-HINDS ALLOY) CADMIUM GALVANIZED

FINISH - ZINC CHROMATE PRIMER 8-15-TMC GRAY

DRILL & TAP 8-32 2 HOLES REQ.

GENERAL ELECTRIC SUPPLY CORP. CAT. # LB27

REQ. ITEM	PART NO.	DESCRIPTION	SYMBOL
		THE TECHNICAL MATERIEL CORP. MAMARONECK, NEW YORK	
	STOCK SIZE	CONDULET, OBROUND SERIES	
	SEE NOTE	3/4" TYPE LB	
ISSUE	ITEM	CHANGED FROM	DATE
TOLERANCES		SCALE:	
DEC. DIM. ±		MAXIMUM ALLOWABLE TOLERANCES HAVE BEEN DETERMINED AND ANY DEVIATIONS WILL BE CAUSE FOR REJECTION. REMOVE ALL BURRS AND SHARP EDGES	
FRAC. DIM. ±			
ANGULAR DIM. ±			
TYPE & TEMPER		HEAT TREAT. SPEC.	
NONE			
FINISH & SPEC. NO.		ELEC. DES. APP.	MECH. DES. APP.
			PO-145