

IF IT IS FOUND DESIRABLE TO CHANGE ANY TOLERANCE OR OTHER DETAIL SPECIFIED ON THIS DRAWING NOTIFY THE PURCHASER PROMPTLY.

STANDARD DRAWING

PJ-054(*)

MAXIMUM ALLOWABLE TOLERANCES HAVE BEEN DETERMINED AND DEVIATIONS WILL BE CAUSE FOR REJECTION. REMOVE ALL BURRS AND SHARP EDGES

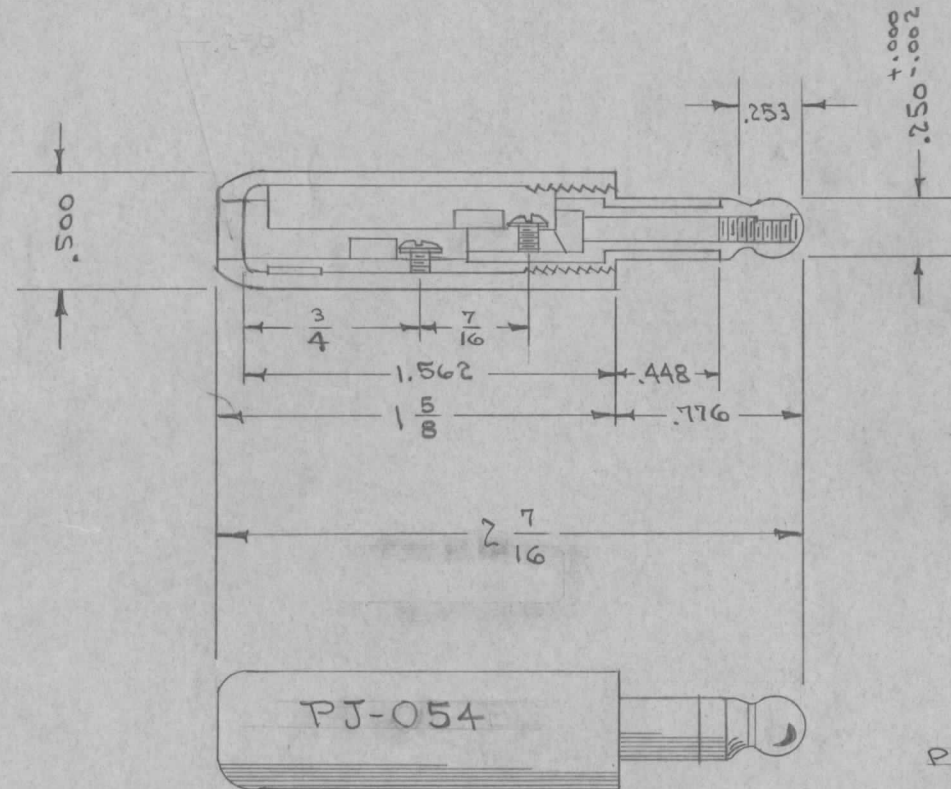
USED ON

MODEL

PROJECT NO.

ASS'Y. NO.

DATE



NOTE
SHELL SHALL BE MOLDED PLASTIC,
* BLACK FOR TYPE PJ-054B
* RED FOR TYPE PJ-054R

PLUG SHALL BE IN ACC. WITH JAN-P-642 AND AMEND.

LETTERS TO BE 1/8 HIGH GOTHIC. WHITE FILLED

DIM. FOR REF. ONLY

REQ.	ITEM	PART NO.	DESCRIPTION	SYMBOL
	#		THE TECHNICAL MATERIEL CORP. MAMARONECK, NEW YORK	
		STOCK SIZE		
	#	#	PLUG, TELEPHONE	
		MATERIAL	(TIP-SLEEVE)	
		WEIGHT PER PC.		
		TYPE & TEMPER	CDD 1-13-53	
			DRAWN	ELEC. DES. APP. MECH. DES. APP.
		HEAT TREAT. SPEC.	<i>[Signature]</i>	<i>[Signature]</i>
			CHECKED	FINAL APPROVAL
		FINISH & SPEC. NO.	SUPERSEDES PL-54 (JAN-P-642)	PJ-054(*)

ISSUE	ITEM	CHANGED FROM	DATE	CN. NO.	DRAFTS	CHECKER	ENG. APP.
TOLERANCES			SCALE				
ALL OTHERS	DEC. DIM. ± .005 FRAC. DIM. ± 1/64 ANGULAR DIM. ±	DRILL, PUNCH, COMMERCIAL STOCK SIZES AND MANUFACTURERS TOLERANCES ARE NOT INCLUDED.					