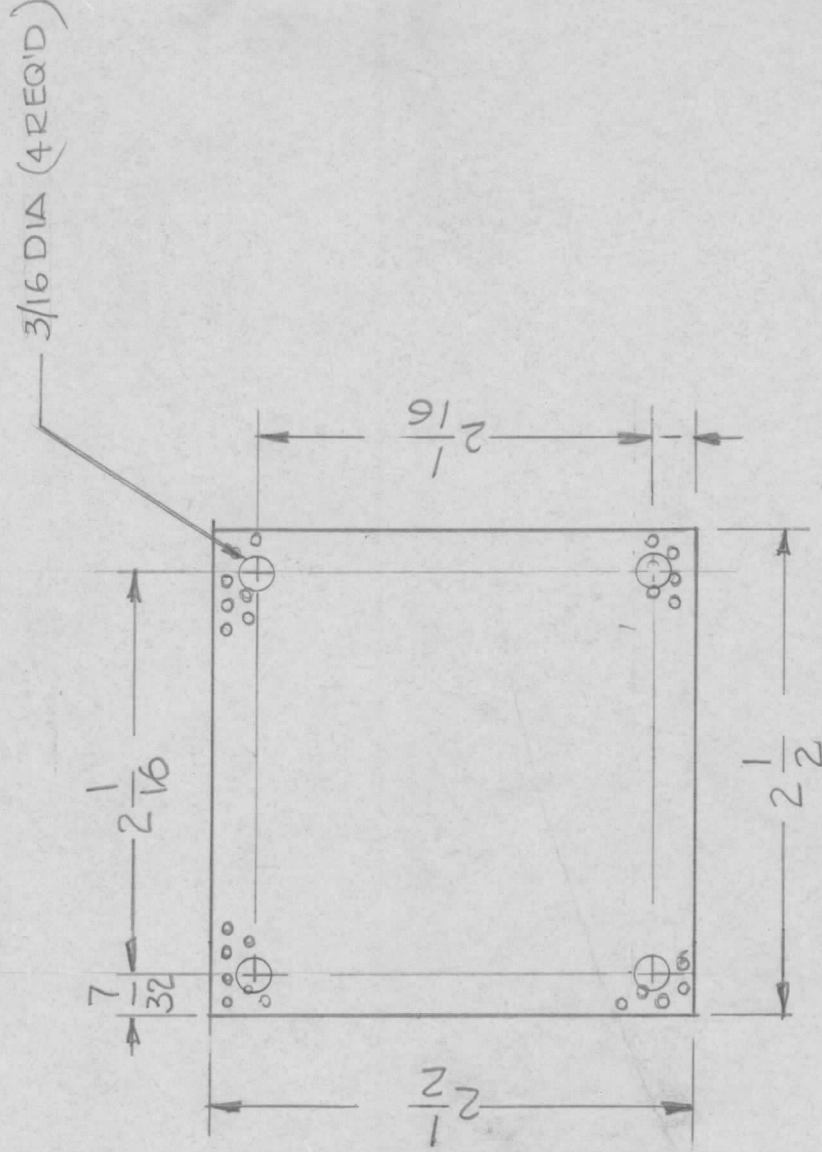


REVISIONS

APPLICATION

QTY	MODEL USED ON	ASS'Y NO.	LTR	DESCRIPTION	DATE	E.M.N.NO	DRAFT	CHKD	APPD
4	BSP-7		Ø	ORIGINAL RELEASE FOR PROD	1-3/80		G.D.L		
4	BSP-7S								



MATERIAL: (1) TYPE 3003H14 GAGE 16 ALUM. ANODIZED
 .050 HOLE DIA. 7/64" C.T.O.C. SPACING

REF: MCMASTER - CARR (CATAL. 95 PAG 2144)

UNLESS OTHERWISE SPECIFIED DIMENSIONS ARE IN INCHES AND INCLUDE CHEMICALLY APPLIED OR PLATED FINISHES	REQ'D ITEM	PART NUMBER	DESCRIPTION	SYM.
DECIMALS .X ± .05 .XX ± .01 .XXX ± .005	FINAL APPROVAL		LIST OF MATERIAL	
FRACTIONS 1/64	MECH. DES.		THE TECHNICAL MATERIEL CORP.	
TOLS. ANGLES 0°-30'	ELECT. DES.		MAMARONECK, NEW YORK	
MATERIAL SEE NOTE	CHECKED		GRILL, SPEAKER	
FINISH SEE NOTE	DRAWN	G.D.L.		

NOTICE TO PERSONS RECEIVING THIS DRAWING		SIZE	CODE IDENT. NO.	DWG NO.	ISSUE
THE TECHNICAL MATERIEL CORPORATION claims proprietary right in the material disclosed hereon. This drawing is issued in confidence for engineering information only and may not be reproduced or used to manufacture anything shown hereon without permission from THE TECHNICAL MATERIEL CORPORATION to the user. This drawing is loaned for mutual assistance and is subject to recall at any time.		A	82679	MS 7219	Ø
SCALE 1:1		SHEET		OF	