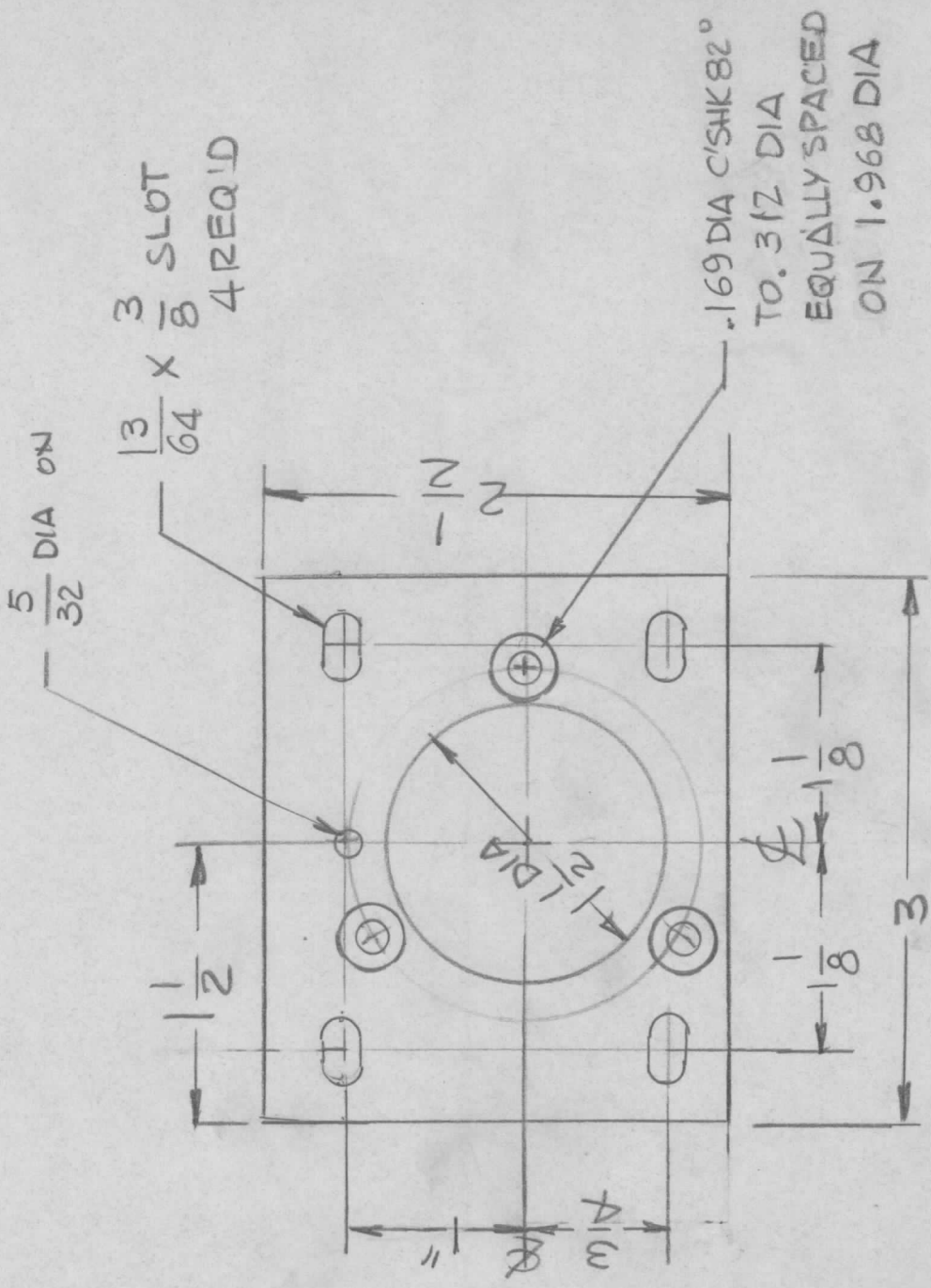


APPLICATION

REVISIONS

QTY	MODEL USED ON	ASSY NO.	LTR	DESCRIPTION	DATE	E.M.N.NO	DRAFT	CHKD	APPD
1	MFTA-10K/J	AX805	Ø	ORIGINAL RELEASE	5-18-81		<i>[Signature]</i>		



REQ'D	ITEM	PART NUMBER	DESCRIPTION	SYM.
LIST OF MATERIAL				
THE TECHNICAL MATERIEL CORP. MAMARONECK, NEW YORK				
PLATE, MTG MOTOR				
FINAL APPROVAL	DATE	SIZE		
MECH. DES.	DATE	CODE IDENT. NO.	DWG NO.	ISSUE
ELECT. DES.	DATE	A 82679	MS 7063	Ø
CHECKED	DATE	SCALE	SHEET	OF
DRAWN	DATE	1:1		
G.D.L	4-278			

NOTICE TO PERSONS RECEIVING THIS DRAWING
 THE TECHNICAL MATERIEL CORPORATION claims proprietary right in the material disclosed hereon. This drawing is issued in confidence for engineering information only and may not be reproduced or used to manufacture anything shown hereon without permission from THE TECHNICAL MATERIEL CORPORATION to the user. This drawing is loaned for mutual assistance and is subject to recall at any time.