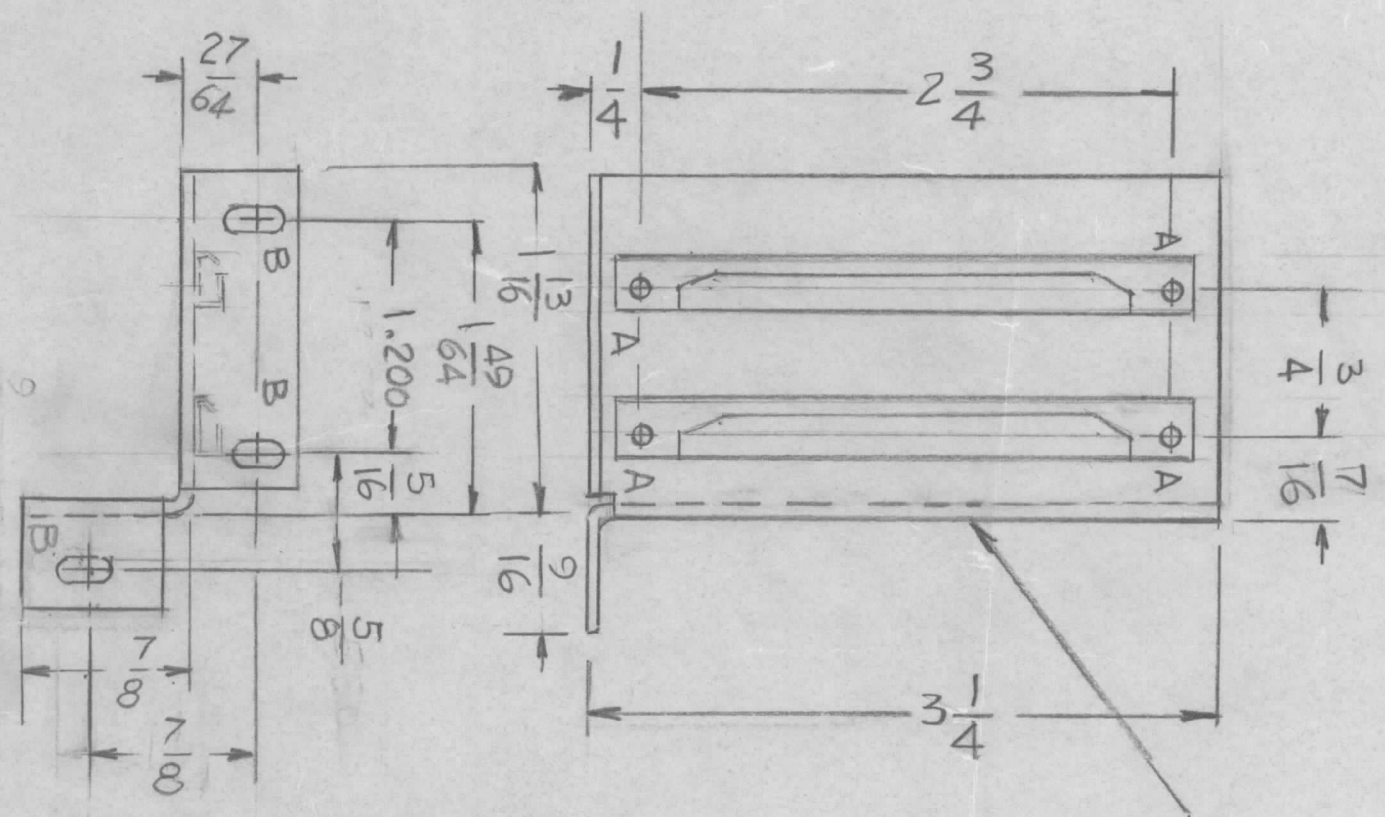


REVISIONS				DATE	APPROVED
EM.N. NO.	DRAFT	CHKD	ZONE	LTR	DESCRIPTION

MARK TMC/P/NO
1/8 HIGH GOTHIC WITH
LATEST REV. LETTER



HOLE -
A - .067 DIA 4 REQ'D
B - 9/64 X 9/32 SLOT 3 REQ'D

MS 6994 - AS SHOWN
MS 6994 - 22 (MIRROR IMAGE)

REQ'D	ITEM	PART NUMBER	DESCRIPTION	SYM.
4	2	EY 100-3	EYELET, FLAT FLANGE	
2	1	CU 10015-3	RETAINER PC BD	

QTY / UNIT		MODEL USED ON		ASSY NO.	
APPLICATION		CODE			

UNLESS OTHERWISE SPECIFIED DIMENSIONS ARE IN INCHES AND INCLUDE CHEMICALLY APPLIED OR PLATED FINISHES		FINAL APPROVAL		DATE	
DECIMALS	FRACTIONS	MECH. DES.	DATE	ELECT. DES.	DATE
.X ± .05	1/64	CHECKED	DATE	DRAWN	DATE
.XX ± .01	ANGLES				
.XXX ± .005	0° - 30'				

LIST OF MATERIAL			
THE TECHNICAL MATERIEL CORP. MAMARONECK, NEW YORK			
BRACKET, CARD FILE (SME-5)			
SIZE	CODE IDENT. NO.	DWG NO.	ISSUE
B	82679	MS 6994	X
SCALE	1:1	SHEET	OF

NOTICE TO PERSONS RECEIVING THIS DRAWING
THE TECHNICAL MATERIEL CORPORATION claims proprietary right in the material disclosed hereon. This drawing is issued in confidence for engineering information only and may not be reproduced or used to manufacture anything shown hereon without permission from THE TECHNICAL MATERIEL CORPORATION to the user. This drawing is loaned for mutual assistance and is subject to recall at any time.