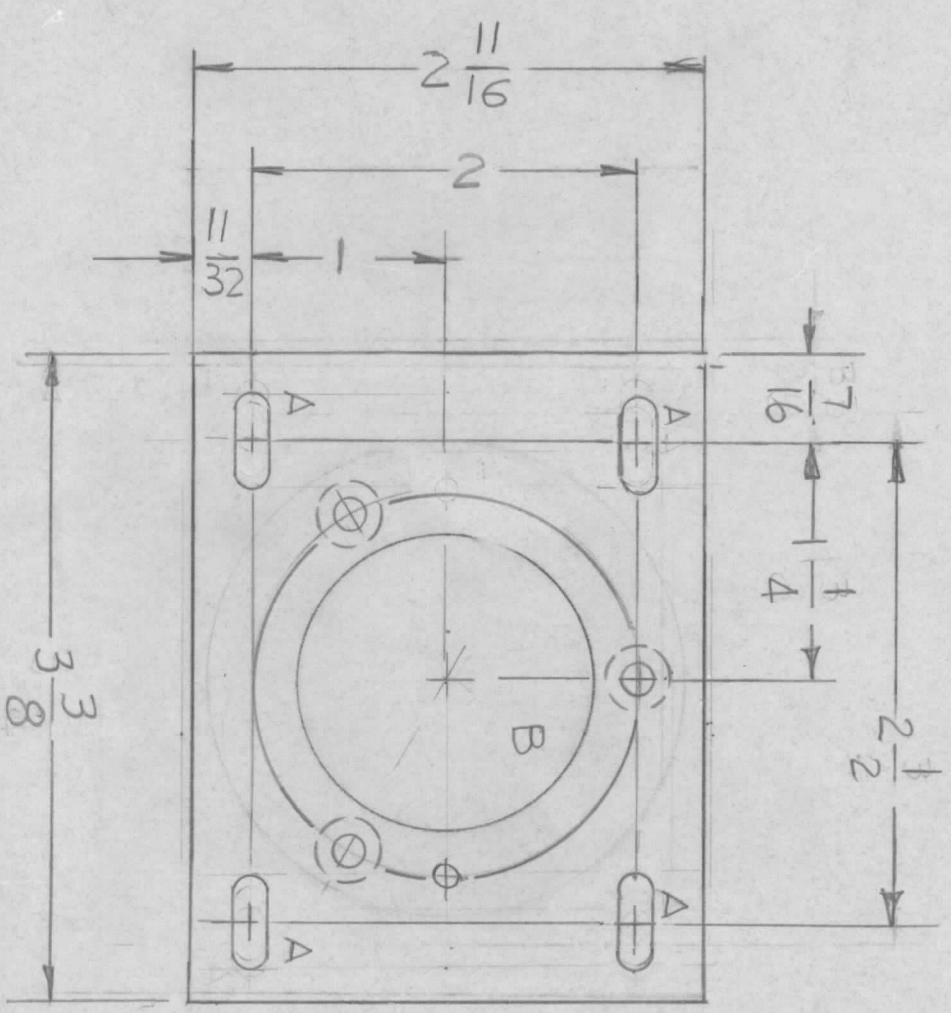
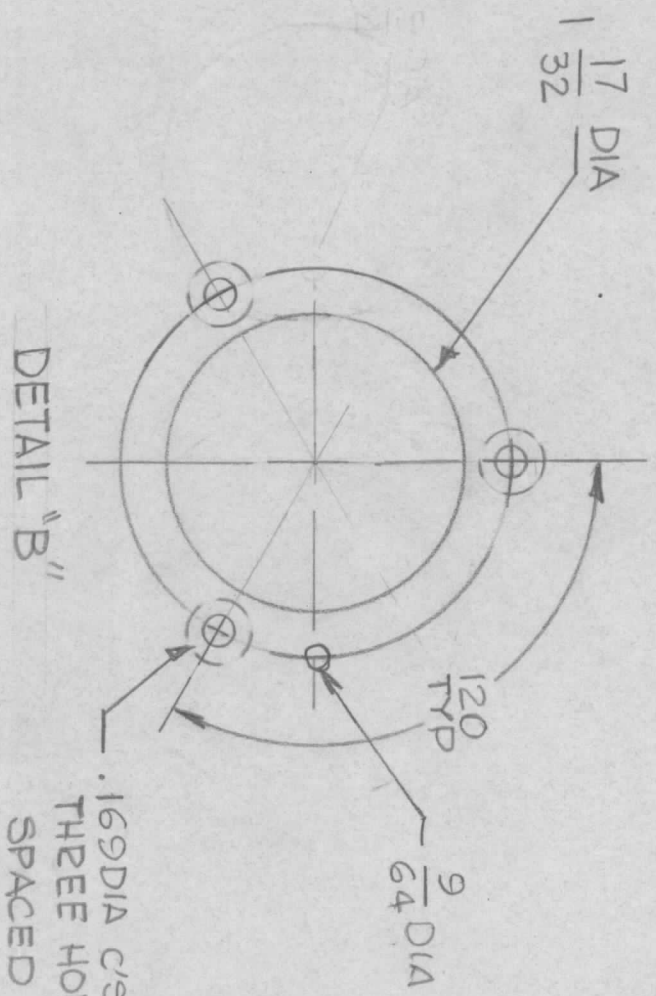


HOLEES
 A - 3/16 x 1/2 SLOT 4 REQ.
 B - SEE DETAIL



REVISIONS							
EMN NO.	DRAFT	CHKD	ZONE	LTR	DESCRIPTION	DATE	APPROVED
				X1	9/64 DIA HOLE ON DETAIL B RELOCATED	10-13-78	
#	MAC			Ø	ORIGINAL RELEASE FOR PRODUCTION	9-20-79	FR



QTY / UNIT	1	MODEL USED ON	META-10K	ASS'Y NO.	BMA 560
APPLICATION		CODE			

UNLESS OTHERWISE SPECIFIED DIMENSIONS ARE IN INCHES AND INCLUDE CHEMICALLY APPLIED OR PLATED FINISHES	
DECIMALS	FRACTIONS
.X ± .05	1/64
.XX ± .01	ANGLES
.XXX ± .005	0° - 30'
MATERIAL .081THK	
ALUM 5052-H32	
FINISH	5A04
YEL	IRIDITE

REQ'D	ITEM	PART NUMBER	DESCRIPTION	SYM.
			THE TECHNICAL MATERIEL CORP. MAMARONECK, NEW YORK	

FINAL APPROVAL	DATE	MECH. DES.	DATE	ELECT. DES.	DATE	CHECKED	DATE	DRAWN	DATE
								G.D.L.	10-2-78

SIZE	CODE IDENT. NO.	DWG NO.	ISSUE
B	82679	MS 6942	Ø

NOTICE TO PERSONS RECEIVING THIS DRAWING
 THE TECHNICAL MATERIEL CORPORATION claims proprietary right in the material disclosed hereon. This drawing is issued in confidence for engineering information only and may not be reproduced or used to manufacture anything shown hereon without permission from THE TECHNICAL MATERIEL CORPORATION to the user. This drawing is loaned for mutual assistance and is subject to recall at any time.