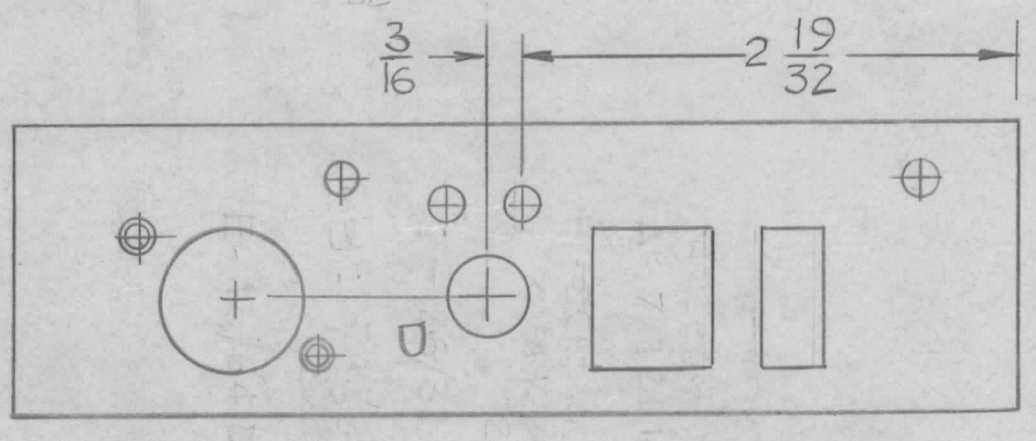
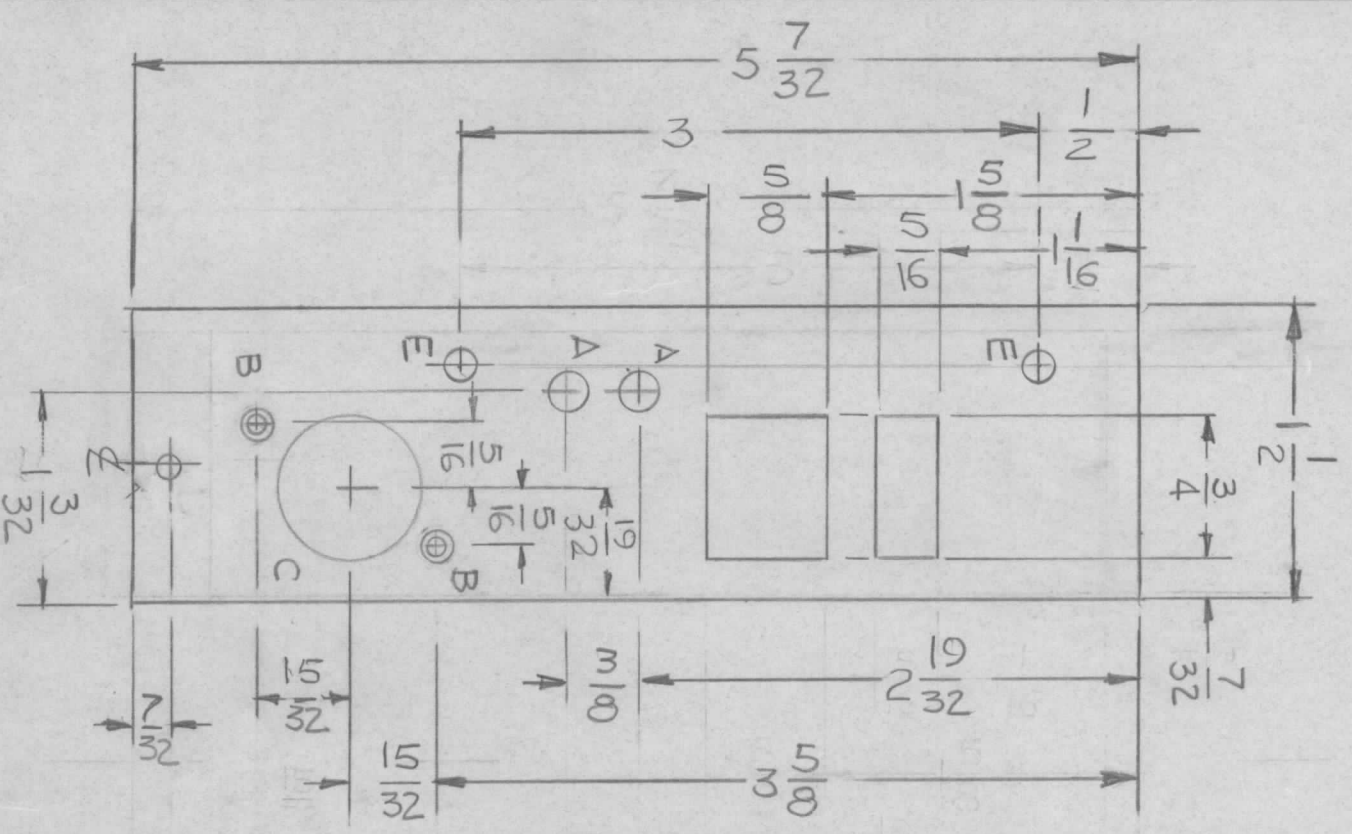


EM/N NO.	DRAFT	CHKD	ZONE	LTR	DESCRIPTION	DATE	APPROVED

REVISIONS

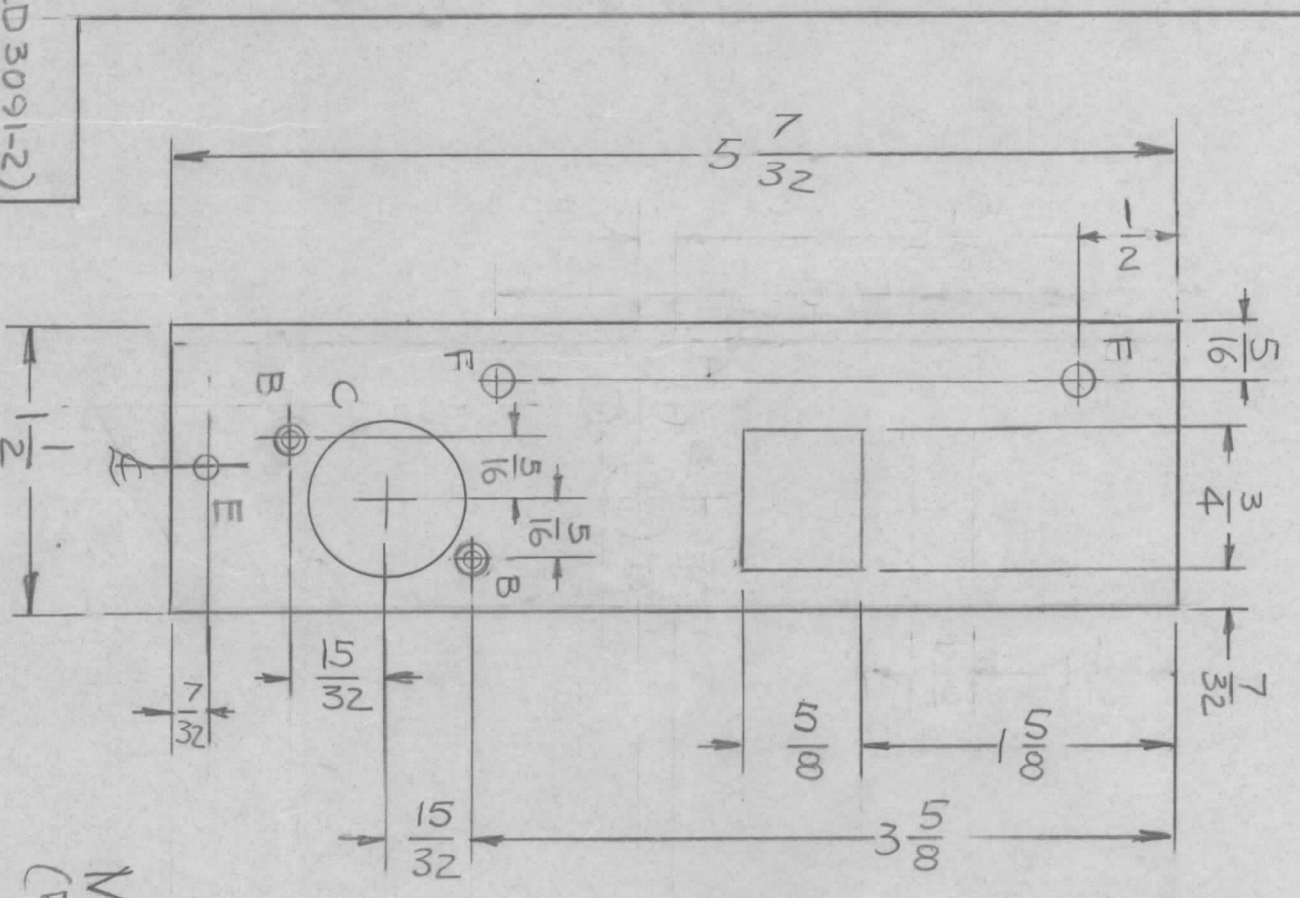
DATE	APPROVED

- HOLES -
- A -  $7/32$  DIA 2 REQ'D
  - B - DRILL .090 DIA C/SHK  $82^\circ$  TO .177 DIA 2 REQ
  - C -  $25/32$  DIA
  - D -  $9/64$  DIA
  - E -  $13/64$  DIA 2 REQ



MS6894-2 (REF: LD 3091-2)

MS6894-2 IS IDENTICAL MS MS6894-1 PLUS "D" HOLE



MS6894-3 (REF: LD 3091-2)

HOLES:

- B - .090 DIA  $82^\circ$  C/SHK TO .177 DIA. (2 REQ)
- C -  $25/32$  DIA
- E -  $9/64$  DIA
- F -  $13/64$  DIA 2 REQ

MS6894-1 (REF: LD 3091-1) LD 3091-3

FINISH NOTES:

1. S404 - IRIDITE 14-2 AL-COAT.
  2. S114 - ZINC CHROMATE PRIMER
  3. S115 - SMOOTH GRAY ENAMEL
- PRIME AND PAINT PER CUSTOMER'S SPECIFICATIONS
- FRONT AND EDGES ONLY

QTY / UNIT	MODEL USED ON	ASSY NO.
	CFS-4	
	APPLICATION	
	CODE	

NOTICE TO PERSONS RECEIVING THIS DRAWING  
THE TECHNICAL MATERIEL CORPORATION claims proprietary right in the material disclosed hereon. This drawing is issued in confidence for engineering information only and may not be reproduced or used to manufacture anything shown hereon without permission from THE TECHNICAL MATERIEL CORPORATION to the user. This drawing is loaned for mutual assistance and is subject to recall at any time.

DECIMALS	FRACTIONS	MECH. DES.	ELECT. DES.	DATE
.X ± .05	1/64			
.XX ± .01	ANGLES			
.XXX ± .005	$0^\circ - 30'$			

UNLESS OTHERWISE SPECIFIED DIMENSIONS ARE IN INCHES AND INCLUDE CHEMICALLY APPLIED OR PLATED FINISHES

ALUM 5052-H32

FINISH SEE NOTES

REQ'D ITEM	PART NUMBER	DESCRIPTION	SYM.

LIST OF MATERIAL

THE TECHNICAL MATERIEL CORP.  
MAMARONECK, NEW YORK

SCALE	SIZE	CODE IDENT. NO.	DWG NO.	SHEET	OF	ISSUE
	B	82679	MS 6894			X

PANEL FRONT