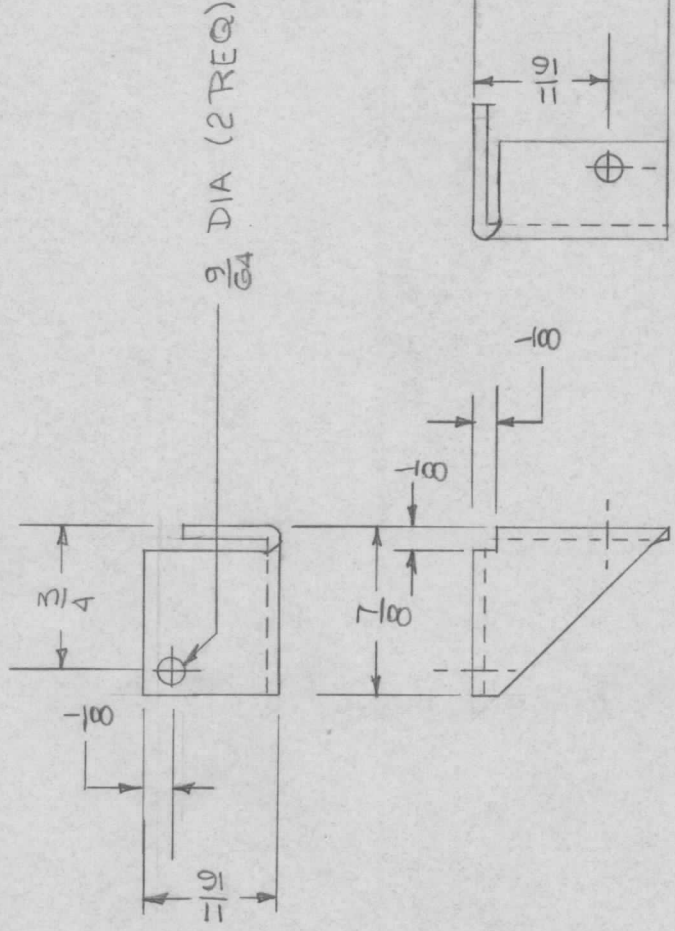


APPLICATION

QTY	MODEL USED ON	ASSY NO.	LTR
1	HMX(-) - 2B	AX791	Ø
1	CHG		

REVISIONS

DESCRIPTION	DATE	E.M.N.NO	DRAFT	CHKD	APPD
ORIGINAL RELEASE FOR PRODN	9/6/78	4	PH	WJB	*



UNLESS OTHERWISE SPECIFIED DIMENSIONS ARE IN INCHES AND INCLUDE CHEMICALLY APPLIED OR PLATED FINISHES

DECIMALS .X ± .05 .XX ± .01 .XXX ± .005
 FRACTIONS 1/64
 TOLS. 1/64
 ANGLES 0° - 30'

MATERIAL 1/8 TNK
 S052-H32 ALUM

FINISH S404 IRIDITE

REQ'D ITEM	PART NUMBER	DESCRIPTION	SYM.
LIST OF MATERIAL			
THE TECHNICAL MATERIEL CORP. MAMARONECK, NEW YORK			
FINAL APPROVAL	DATE		
<i>[Signature]</i>	9/6/78		
MECH. DES.	DATE		
<i>[Signature]</i>	11-29-77		
ELECT. DES.	DATE		
	DATE		
CHECKED	DATE		
<i>[Signature]</i>	11/24/78		
DRAWN	DATE		
PH	11-2-77		
		P.C. PLUG SUPPORT	

NOTICE TO PERSONS RECEIVING THIS DRAWING
 THE TECHNICAL MATERIEL CORPORATION claims proprietary right in the material disclosed hereon. This drawing is issued in confidence for engineering information only and may not be reproduced or used to manufacture anything shown hereon without permission from THE TECHNICAL MATERIEL CORPORATION to the user. This drawing is loaned for mutual assistance and is subject to recall at any time.

SIZE	CODE IDENT. NO.	DWG NO.	ISSUE
A	82679	MSC862	Ø
SCALE	FULL	SHEET	OF