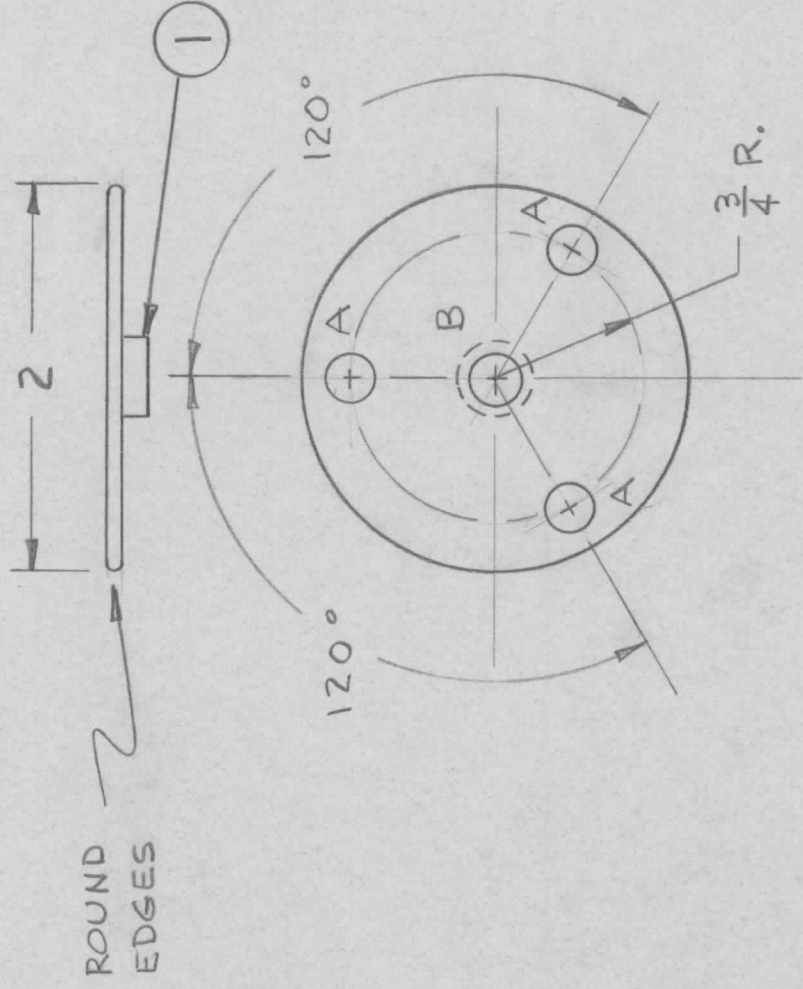


REVISIONS

APPLICATION

|     |               |          |     |                  |         |          |       |      |      |
|-----|---------------|----------|-----|------------------|---------|----------|-------|------|------|
| QTY | MODEL USED ON | ASSY NO. | LTR | DESCRIPTION      | DATE    | E.M.N.NO | DRAFT | CHKD | APPD |
| 2   | HFLA-10K/REVA | AS163    | Ø   | ORIGINAL RELEASE | 7-20-72 |          | EJ    |      |      |



A ~ 15/64 DIA 3 REQ'D.

B ~ .250-.254 DIA. 1 REQ'D.

|   |               |                    |             |                              |                 |
|---|---------------|--------------------|-------------|------------------------------|-----------------|
| 1   | 1             | NT129-1032-4       | NUT, SWAGE  |                              |                 |
| UNLESS OTHERWISE SPECIFIED DIMENSIONS ARE IN INCHES AND INCLUDE CHEMICALLY APPLIED OR PLATED FINISHES   |               | REQ'D ITEM         | PART NUMBER | DESCRIPTION                  | SYM.            |
| DECIMALS  | FRACTIONS     | FINAL APPROVAL     | DATE        | LIST OF MATERIAL             |                 |
| .X ± .05  | TOLS. 1/64    | <i>[Signature]</i> | 18 OCT 72   | THE TECHNICAL MATERIEL CORP. |                 |
| .XX ± .01   | ANGLES 0°-30' | MECH. DES.         | DATE        | MAMARONECK, NEW YORK         |                 |
| .XXX ± .005   |               | ELECT. DES.        | DATE        | PLATE, CONT., CAP            |                 |
| MATERIAL .064 ALUM  |               | CHECKED            | DATE        | SIZE                         | CODE IDENT. NO. |
| 5052-H32  |               | DRAWN              | DATE        | A                            | 82679           |
| FINISH  |               |                    |             | SCALE                        | DWG NO.         |
| S404 YEL IRID.  |               |                    |             |                              | MS6402          |
| NOTICE TO PERSONS RECEIVING THIS DRAWING  |               | ISSUE              |             |                              |                 |
| THE TECHNICAL MATERIEL CORPORATION claims proprietary right in the material disclosed hereon. This drawing is issued in confidence for engineering information only and may not be reproduced or used to manufacture anything shown hereon without permission from THE TECHNICAL MATERIEL CORPORATION to the user. This drawing is loaned for mutual assistance and is subject to recall at any time. |               | Ø                  |             |                              |                 |
|   |               | SHEET              |             | OF 1                         |                 |