

APPLICATION

QTY 1

MODEL USED ON TM125

ASS'Y NO.

∅

DESCRIPTION

ORIG RELEASE FOR PROD

DATE

3/25/73

E.M.N.NO

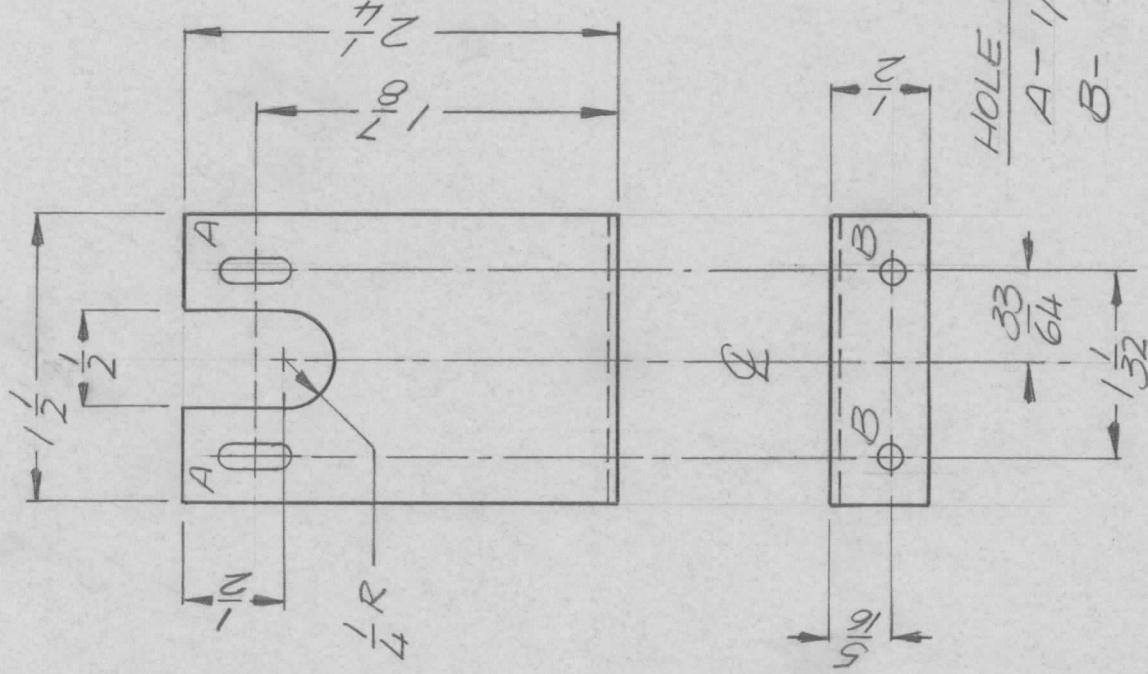
DRAFT

CA

CHKD

APPD

REVISIONS



HOLE DESCRIPTION QTY.  
 A - 1/8 X 5/16 SLIT - 2  
 B - 1/16 DIA. - 2

UNLESS OTHERWISE SPECIFIED DIMENSIONS ARE IN INCHES AND INCLUDE CHEMICALLY APPLIED OR PLATED FINISHES

DECIMALS .X ± .05 TOLS. 1/64  
 .XX ± .01 ANGLES 0° - 30'  
 .XXX ± .005

MATERIAL 5052 H32  
 .064 ALUM

FINISH S404  
 YEL IRIDITE

REQ'D ITEM

O.P.

PART NUMBER

DESCRIPTION

SYM.

LIST OF MATERIAL

FINAL APPROVAL COB

DATE 3/19/73

MECH. DES.

DATE 3/19/73

ELECT. DES.

DATE 3/19/73

CHECKED

DATE

DRAWN G.E.

DATE 4-4-73

THE TECHNICAL MATERIEL CORP.

MAMARONECK, NEW YORK

BRACKET SW. MTG. FRONT

NOTICE TO PERSONS RECEIVING THIS DRAWING  
 THE TECHNICAL MATERIEL CORPORATION claims proprietary right in the material disclosed hereon. This drawing is issued in confidence for engineering information only and may not be reproduced or used to manufacture anything shown hereon without permission from THE TECHNICAL MATERIEL CORPORATION to the user. This drawing is loaned for mutual assistance and is subject to recall at any time.

SIZE A

CODE IDENT. NO. 82679

DWG NO. MS 6379

ISSUE

SCALE 1:1

SHEET

OF