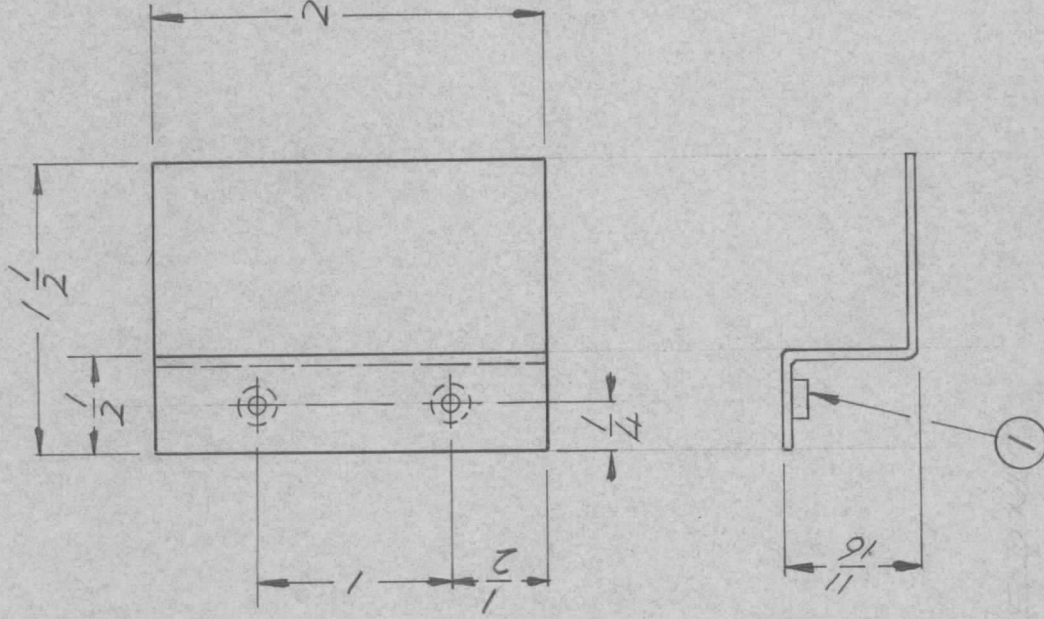


APPLICATION

REVISIONS

QTY	MODEL USED ON	ASSY NO.	LTR	DESCRIPTION	DATE	E.M.N.NO	DRAFT	CHKD	APPD
			Ø	ORIG RELEASE FOR PROD	10/21/70		CU.		



REF. MS 6230 2 1 NT1290632-4 NUT PLN SPLINE

REQ'D	ITEM	PART NUMBER	DESCRIPTION	SYM.
LIST OF MATERIAL				
THE TECHNICAL MATERIEL CORP. MAMARONECK, NEW YORK				
BRACKET, FILTER				
FINAL APPROVAL	<i>[Signature]</i>	DATE	10/21/70	
MECH. DES.	<i>[Signature]</i>	DATE	10/21/70	
ELECT. DES.		DATE		
CHECKED		DATE		
DRAWN	GE	DATE	9/17/71	
UNLESS OTHERWISE SPECIFIED DIMENSIONS ARE IN INCHES AND INCLUDE CHEMICALLY APPLIED OR PLATED FINISHES		SIZE		
DECIMALS	FRACTIONS	CODE IDENT. NO.	DWG NO.	ISSUE
X ± .05	1/64	A	82679	MS 6236
.XX ± .01	TOLS. ANGLES	SCALE	1:1	SHEET
.XXX ± .005	0° .30'			OF
MATERIAL .064 ALLUM 5052 H32				
FINISH S404 YEL IRIDITE				
NOTICE TO PERSONS RECEIVING THIS DRAWING				
THE TECHNICAL MATERIEL CORPORATION claims proprietary right in the material disclosed hereon. This drawing is issued in confidence for engineering information only and may not be reproduced or used to manufacture anything shown hereon without permission from THE TECHNICAL MATERIEL CORPORATION to the user. This drawing is loaned for mutual assistance and is subject to recall at any time.				